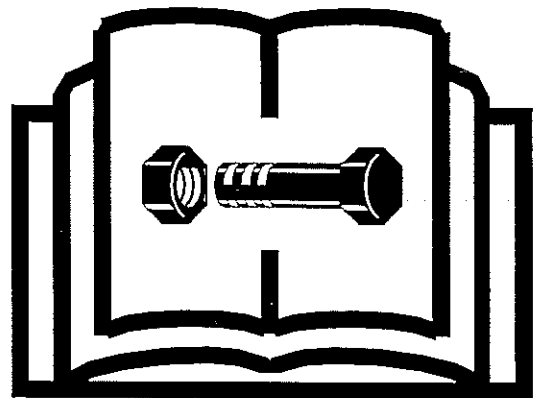


Vermeer

*D50x100a/
Navtec Navigator*



Parts Manual

PMOC97-1
SERIAL NO. 101-
ORDER NO. 105400-N91

PARTS LISTS TABLE OF CONTENTS

FRAME ASSEMBLIES - SECTION 1

Cylinder Components - 3 ½" x 4 ¾" Grease (Fig. "1-24")	Page 1-24
Decal Assembly - Domestic (Fig. "1-1")	Page 1-1
Decal Assembly - International (Fig. "1-2")	Page 1-2
Decal Location Assembly (Fig. "1-4")	Page 1-4
Decal Location Assembly (Fig. "1-3")	Page 1-3
Drill Rod Position Indicator Assembly (Fig. "1-18")	Page 1-18
Drive Chuck Assembly (Fig. "1-19")	Page 1-19
Front Roller Assembly (Fig. "1-12")	Page 1-12
Heat Shield Assembly (Fig. "1-17")	Page 1-17
Hydraulic Motor Components (Fig. "1-22")	Page 1-22
Hydraulic Motor Components (Fig. "1-21")	Page 1-21
Main Frame Assembly (Fig. "1-5")	Page 1-5
Outrigger Assembly (Fig. "1-16")	Page 1-16
Planetary Gearbox Components (Fig. "1-23")	Page 1-23
R.O.P.S. Assembly (Fig. "1-10")	Page 1-10
Rack Frame Assembly (Fig. "1-11")	Page 1-11
Rear Chain Tightener Assembly (Fig. "1-14")	Page 1-14
Rotation Gearbox Assembly (Fig. "1-15")	Page 1-15
Rotation Gearbox Components (Fig. "1-20")	Page 1-20
Thrust Cylinder Roller Assembly (Fig. "1-13")	Page 1-13
Track Chain Assembly (Fig. "1-7")	Page 1-7
Track End Roller Assembly (Fig. "1-8")	Page 1-8
Track Planetary Assembly (Fig. "1-9")	Page 1-9
Track Tightener, Roller & Chain Assembly (Fig. "1-6")	Page 1-6

ENGINE ASSEMBLIES - SECTION 2

Air Cleaner Assembly (Fig. "2-8")	Page 2-8
Air Cleaner Components (Fig. "2-11")	Page 2-11
Engine Base Assembly (Fig. "2-4")	Page 2-4
Engine Components (Fig. "2-2")	Page 2-2
Engine Components (Fig. "2-1")	Page 2-1
Engine Shields Assembly (Fig. "2-5")	Page 2-5
Fuel Tank Assembly (Fig. "2-10")	Page 2-10
Muffler Assembly (Fig. "2-9")	Page 2-9
Pump Drive Assembly (Fig. "2-3")	Page 2-3
Radiator/Flashing Assembly (Fig. "2-7")	Page 2-7
Radiator Shield Assembly (Fig. "2-6")	Page 2-6
Sight Gauge Components (Fig. "2-12")	Page 2-12

HYDRAULIC ASSEMBLIES - SECTION 3

Anti-Drift Cartridge Components (Fig. "3-43")	Page 3-41
Control Valve Assembly - 7 Spool (Fig. "3-18")	Page 3-18
Control Valve Components (Fig. "3-39")	Page 3-39
Floating Gearbox Cylinder Assembly (Fig. "3-27")	Page 3-27
Gearbox Drive Motor Assembly (Fig. "3-14")	Page 3-14

PARTS LISTS TABLE OF CONTENTS (CONT.)

HYDRAULIC ASSEMBLIES - SECTION 3 (CONT.)

Gearbox Valve Assembly (Fig. "3-22")	Page 3-22
Hose Carrier/Bulkhead Assembly (Fig. "3-31")	Page 3-31
Hose Carrier Components (Fig. "3-56")	Page 3-54
Hot Oil Shuttle Assembly (Fig. "3-19")	Page 3-19
Hydraulic Motor Components (Fig. "3-36")	Page 3-36
Hydraulic Components Location Diagram - Thrust/Pullback System (Fig. "3-4")	Page 3-4
Hydraulic Components Location Diagram - Ground Drive System (Fig. "3-2")	Page 3-2
Hydraulic Components Location Diagram - Water Pump System (Fig. "3-5")	Page 3-5
Hydraulic Components Location Diagram - Rotation System (Fig. "3-3")	Page 3-3
Hydraulic Components Location Diagram - Implement System (Fig. "3-1")	Page 3-1
Hydraulic Cylinder Components - 5" x 96" w/ 3" Rod (Fig. "3-52")	Page 3-50
Hydraulic Cylinder Components - 4 ½" x 12" (Fig. "3-50")	Page 3-48
Hydraulic Cylinder Components - 3" x 40" (Fig. "3-49")	Page 3-47
Hydraulic Cylinder Components - 3" x 12" (Fig. "3-51")	Page 3-49
Hydraulic Cylinder Components - 1" x 3 ½" (Fig. "3-53")	Page 3-51
Hydraulic Cylinder Components - Dual (Fig. "3-54")	Page 3-52
Hydraulic Filter Components (Fig. "3-55")	Page 3-53
Hydraulic Pump Assembly (Rotation) (Fig. "3-9")	Page 3-9
Hydraulic Pump Assembly (Right Track, Thrust/Pullback) (Fig. "3-10")	Page 3-10
Hydraulic Pump Assembly (Left Track, Water) (Fig. "3-11")	Page 3-11
Hydraulic Pump Components (Fig. "3-35")	Page 3-35
Hydraulic Pump Components (Fig. "3-33")	Page 3-33
Hydraulic Pump Components (Fig. "3-34")	Page 3-34
Implement Pump Assembly (Fig. "3-8")	Page 3-8
Load Check Plug Components (Fig. "3-40")	Page 3-40
Loop Flush Valve Components (Fig. "3-48")	Page 3-46
Miscellaneous Supplies (Fig. "3-57")	Page 3-55
Oil Cooler Assembly (Fig. "3-28")	Page 3-28
Oil Filter Assembly (Fig. "3-30")	Page 3-30
Oil Tank Assembly (Fig. "3-6")	Page 3-6
Oil Tank Plumbing Assembly (Fig. "3-7")	Page 3-7
Outrigger Cylinder Assembly (Fig. "3-23")	Page 3-23
Pressure Limiter Valve Components (Fig. "3-47")	Page 3-45
Rack Lift Cylinder Assembly (Fig. "3-24")	Page 3-24
RC Port Relief Components (Fig. "3-44")	Page 3-44
Return Manifold Assembly (Fig. "3-29")	Page 3-29
Selector Valve Assembly (Right) (Fig. "3-17")	Page 3-17
Selector Valve Assembly (Left) (Fig. "3-16")	Page 3-16
Shuttle Valve Components (Fig. "3-45")	Page 3-43
Solenoid Selector Valve Components (Fig. "3-37")	Page 3-37
Solenoid Selector Valve Components (Fig. "3-38")	Page 3-38
Solenoid Valve Assembly (Track) (Fig. "3-20")	Page 3-20
Solenoid Valve Components (Fig. "3-46")	Page 3-44
Standard Spool Positioner Components (Fig. "3-42")	Page 3-41
Thrust Cylinder Assembly (Fig. "3-25")	Page 3-25
Tool Bulkhead Assembly (Fig. "3-32")	Page 3-32
Torque Limiter Valve Assembly (Fig. "3-21")	Page 3-21

PARTS LISTS TABLE OF CONTENTS (CONT.)

HYDRAULIC ASSEMBLIES - SECTION 3 (CONT.)

Track Drive Motor Assembly (Left) (Fig. "3-12")	Page 3-12
Track Drive Motor Assembly (Right) (Fig. "3-13")	Page 3-13
Water Pump Drive Motor Assembly (Fig. "3-15")	Page 3-15
Water Pump On/Off Cylinder Assembly (Fig. "3-26")	Page 3-26
WH Main Relief Components (Fig. "3-41")	Page 3-40

CONTROL/ELECTRICAL ASSEMBLIES - SECTION 4

Battery Assembly (Fig. "4-10")	Page 4-10
Control Handle Components (Fig. "4-14")	Page 4-14
Control Panel Assembly (Fig. "4-3")	Page 4-3
Electrical Panel-Engine (Fig. "4-7")	Page 4-7
Harness Plug Components (Fig. "4-15")	Page 4-15
Literature Box Assembly (Fig. "4-5")	Page 4-5
Remote Locator Holder Assembly (Fig. "4-12")	Page 4-12
Rops Control Panel (Continues) (Fig. "4-2")	Page 4-2
Rops Control Panel Assembly (Fig. "4-1")	Page 4-1
Seat Actuator Assembly (Fig. "4-6")	Page 4-6
Seat Assembly (Fig. "4-4")	Page 4-4
Throttle Solenoid Assembly (Fig. "4-8")	Page 4-8
Vandal Shield Assembly (Fig. "4-11")	Page 4-11
Wire Harness Assembly (Fig. "4-9")	Page 4-9
Work Light Assembly (Fig. "4-13")	Page 4-13

GROUND/SAFETY ASSEMBLIES - SECTION 5

Ground Stake/Voltage Stake Assembly (Fig. "5-1")	Page 5-1
Safety Features - Gloves, Boots, Cones (Fig. "5-2")	Page 5-2

WATER ASSEMBLIES - SECTION 6

Anti-Freeze System (Fig. "6-2")	Page 6-2
Ball Valve Components - 2" M x F (Fig. "6-14")	Page 6-14
Drill Fluid (Fig. "6-6")	Page 6-6
Gearbox Components (Fig. "6-8")	Page 6-8
Platform Assembly (Fig. "6-4")	Page 6-4
Wand Assembly (Fig. "6-5")	Page 6-5
Water Line Assembly (Fig. "6-3")	Page 6-3
Water Pump Assembly (Fig. "6-1")	Page 6-1
Water Pump Components - SC-115L (Continued) (Fig. "6-9")	Page 6-9
Water Pump Components - SC-115L (Continued) (Fig. "6-10")	Page 6-10
Water Pump Components - SC-115L (Continued) (Fig. "6-11")	Page 6-11
Water Pump Components - SC-115L (Continued) (Fig. "6-12")	Page 6-12
Water Pump Components - SC-115L (Fig. "6-7")	Page 6-7
Water Pump Outlet Components (Fig. "6-13")	Page 6-13

PARTS LISTS TABLE OF CONTENTS (CONT.)

VICE CLAMP ASSEMBLIES - SECTION 7

Carriage Assembly - Rear Vise (Fig. "7-2")	Page 7-2
Clamp Cylinder Assembly (Front) (Fig. "7-4")	Page 7-4
Clamp Cylinder Assembly (Rear) (Fig. "7-5")	Page 7-5
Hydraulic Components Location Diagram - Open Top Pipe Vise (Fig. "7-1")	Page 7-1
Hydraulic Cylinder Components - 5" x 2" (Fig. "7-10")	Page 7-10
Hydraulic Cylinder Components - 2 ½" x 5" (Fig. "7-11")	Page 7-11
Hydraulic Cylinder Components - 1 ½" x 6" (Fig. "7-12")	Page 7-12
Rotation Carriage Cylinder Assembly (Fig. "7-6")	Page 7-6
Solenoid Valve Assembly - Pipe Vise (Fig. "7-3")	Page 7-3
Solenoid Valve Components (Fig. "7-9")	Page 7-9
Vise Slide Cylinder Assembly (Fig. "7-7")	Page 7-7
Zap Alert Assembly (Fig. "7-8")	Page 7-8

ROD LOADER ASSEMBLIES - SECTION 8

Bulkhead Assembly (Fig. "8-4")	Page 8-4
Control Valve Assembly - Rod Loader Plumbing (Fig. "8-5")	Page 8-5
Hydraulic Components Location Diagram - Rod Loader (Fig. "8-1")	Page 8-1
Hydraulic Cylinder Components - 2" x 5" (Fig. "8-9")	Page 8-9
Hydraulic Cylinder Components - 1 ½" x 14 ½" (Fig. "8-11")	Page 8-11
Hydraulic Cylinder Components - 3" x 7 ½" (Fig. "8-10")	Page 8-10
Rod Box Assembly (Fig. "8-3")	Page 8-3
Rod Eject Cylinder Assembly (Fig. "8-6")	Page 8-6
Rod Loader Frame Assembly (Fig. "8-2")	Page 8-2
Rod Position Cylinder Assembly (Fig. "8-8")	Page 8-8
Rod Rotation Cylinder Assembly (Fig. "8-7")	Page 8-7

TUBING TONGS ASSEMBLIES - SECTION 9

Hydraulic Cylinder Components - 2" x 15" (Fig. "9-3")	Page 9-3
Tubing Tong Assembly (Fig. "9-1")	Page 9-1
Tubing Tong Components (Fig. "9-2")	Page 9-2

PNEUMATIC STAKEDOWN ASSEMBLIES - SECTION 10

Mist Oiler Assembly (Fig. "10-2")	Page 10-2
Stake/Driver Assembly (Fig. "10-1")	Page 10-1
Stake Driving Mole Components (Fig. "10-3")	Page 10-3

LOCATION DIGITRAK ASSEMBLIES - SECTION 11

Data Logger, Mark III - Digitrak (Fig. "11-4")	Page 11-4
Location Package, Mark III - Digitrak (W/ Remote Display) Domestic (Fig. "11-2")	Page 11-2
Location Package, Mark III - Digitrak (W/ Remote Display) International (Fig. "11-3"0	Page 11-3
Location Package, Mark III - Digitrak - Domestic and International (Fig. "11-1")	Page 11-1

PARTS LISTS TABLE OF CONTENTS (CONT.)

LOCATION SPOT D TEC ASSEMBLIES - SECTION 12

Location Package, Spot D Tek II.2 Utility (Fig. "12-1")	Page 12-1
Location Package, Spot D Tek II.2, III & IIIA (Fig. "12-2")	Page 12-2
Location Package, Spot D Tek Mole Mapping System (Fig. "12-3")	Page 12-3

SURGE STEER ASSEMBLIES - SECTION 13

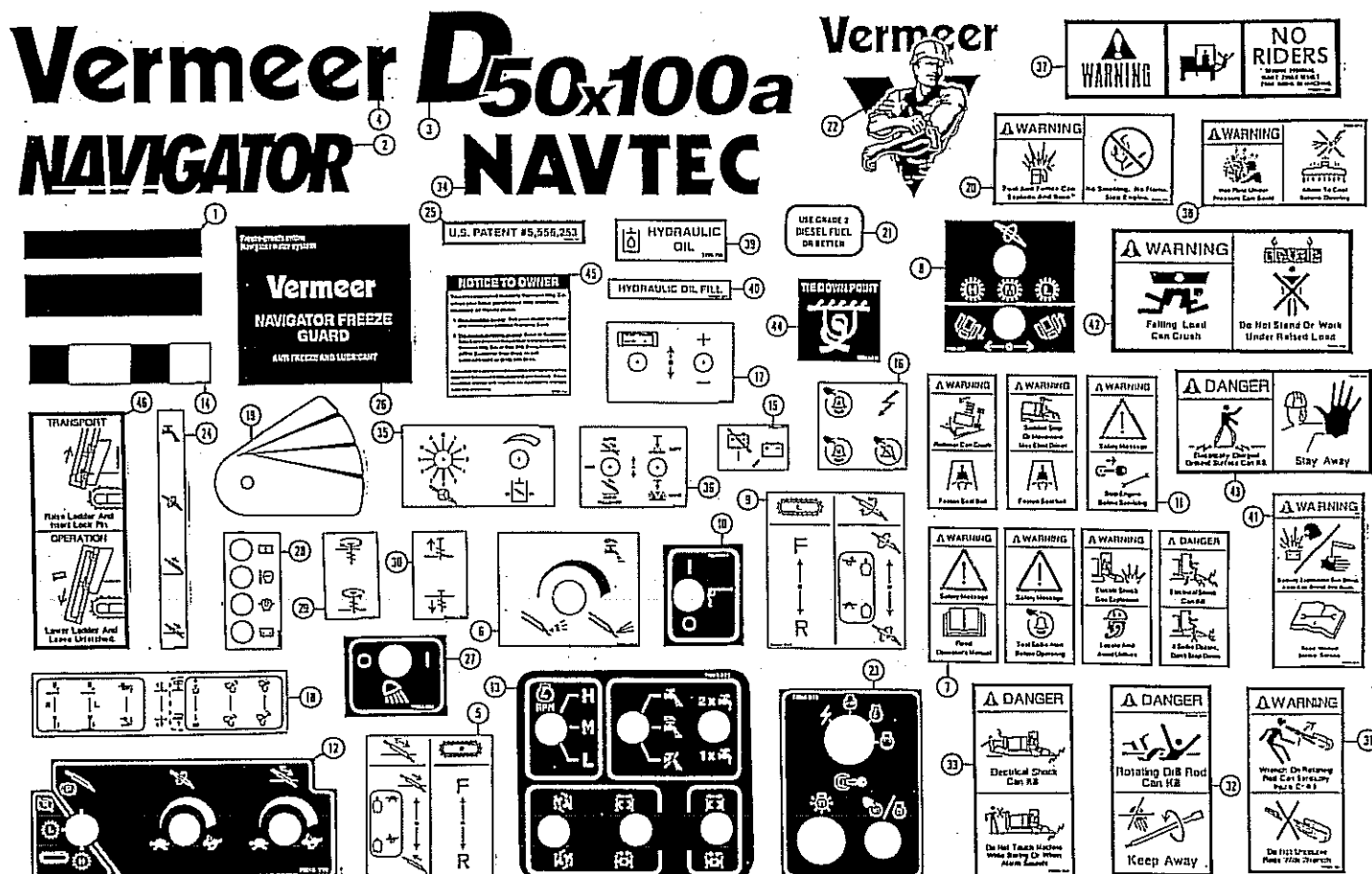
Control Panel Assembly - Navtec (Fig. "13-3")	Page 13-3
Microprocessor Assembly (Fig. "13-2")	Page 13-2
Transducer/Speed Sensor Assembly (Fig. "13-1")	Page 13-1

ROCK DRILLING HEAD ASSEMBLY - SECTION 14

Rock Drilling Head Assembly (Fig. "14-1")	Page 14-1
---	-----------

DECAL ASSEMBLY - DOMESTIC

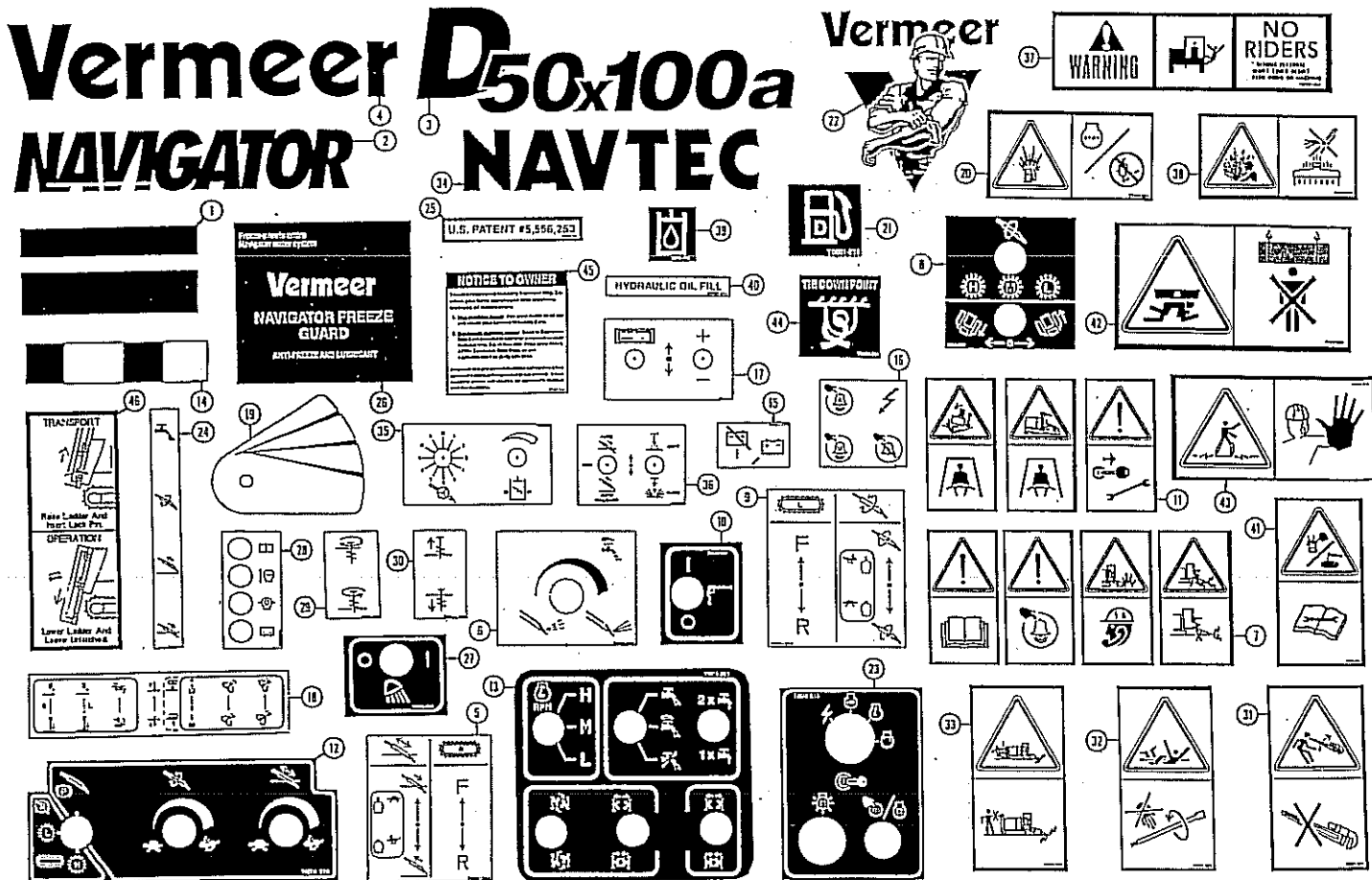
Figure 1-1



REF. NO.	PART NO.	DESCRIPTION	QTY.	REF. NO.	PART NO.	DESCRIPTION	QTY.
1-1	1	70000-775 DECAL 3"VERMEER STRIPE	021	1-1	24	700IA-265 DECAL - INSTRUMENTS (UG)	1
1-1	2	70000-614 DECAL-MODEL NAVIGATOR (BIG)	2	1-1	25	7000A-741 DECAL-U.S. PATENT #5, 556, 253	1
		70000-615 DECAL-MODEL NAVIGATOR (SMALL)	1	1-1	26	7000A-027 DECAL-NAVIGATOR FREEZE GUARD	1
1-1	3	7000A-790 DECAL-MODEL D50X100A	2	1-1	27	700IA-804 DECAL-WORK LIGHT	1
1-1	4	2326-619 DECAL - VERMEER 3 X 15	1	1-1	28	700IA-266 DECAL - CONTROL PANEL (UG)	1
		2326-595 DECAL VERMEER- 4 1/2 X 24	1	1-1	29	700IA-306 DECAL-STAKE DRIVER ROTAT.(UND)	1
1-1	5	700IA-268 DECAL-DRILL FORCE RT (UND)	1	1-1	30	700IA-305 DECAL-STAKE DRIVE THRUST (UND)	1
1-1	6	700IA-262 DECAL - FLUID PRESSURE (UG)	1	1-1	31	7000A-394 DECAL - WARNING	1
		70000-615 DECAL-MODEL NAVIGATOR (SMALL)	1	1-1	32	7000A-393 DECAL - DANGER	1
1-1	7	7000A-395 DECAL - WARNING	1	1-1	33	7000A-392 DECAL - DANGER	1
1-1	8	700IA-808 DECAL-SEAT/DRILL COMBO	1	1-1	34	7000A-745 DECAL-NAVTEC	2
1-1	9	700IA-269 DECAL-DRILL ROTATION LT (UND)	1	1-1	35	700IA-509 DECAL-STEER	1
1-1	10	700IA-807 DECAL-WASHWAND	1	1-1	36	7000A-510 DECAL-AUTO/MANUAL SWITCH	1
1-1	11	7000A-325 DECAL-WARNING	1	1-1	37	70000-089 DECAL-WARNING (AT)	1
1-1	12	700IA-270 DECAL-SPEED VARIATION (UND)	1	1-1	38	2326-315 DECAL-WARNING	1
1-1	13	700IA-803 DECAL - ROD VISES	1	1-1	39	2326-756 DECAL-HYDRAULIC OIL	1
1-1	14	700IA-490 DECAL-INDICATOR 2 7/8-3 1/2ROD	1	1-1	40	7000A-814 HYDRAULIC OIL FILLER	1
1-1	15	700IA-477 DECAL_BATTERY SWITCH (UG)	1	1-1	41	70000-044 DECAL-WARNING(AT/UND)	1
1-1	16	700IA-260 DECAL-TEST (UND)	1	1-1	42	70000-563 DECAL-WARNING (UND)	2
1-1	17	7000A-508 DECAL-DISPLAY	1	1-1	43	70000-530 DECAL-DANGER	4
1-1	18	700IA-401 DECAL -CONTROL BANK D50	1	1-1	44	70000-834 DECAL-TIE DOWN POINT	6
1-1	19	700IA-624 DECAL-LOADER POSITION	1	1-1	45	2326-940 DECAL-NOTICE TO OWNERS	1
1-1	20	2326-324 DECAL-WARNING/REFUEL	1	1-1	46	7000A-858 DECAL-TRANSPORT LOCK	1
1-1	21	70000-098 DECAL-DIESEL (AT/UND)	1				
1-1	22	70000-939 DECAL-15" VERMEER LOGO	1				
1-1	23	700IA-813 DECAL-IGNITION	1				
					901228-077	D50X100A DECAL ASSY (DOMESTIC) (INC. ALL ITEMS IN THIS FIGURE)	

DECAL ASSEMBLY - INTERNATIONAL

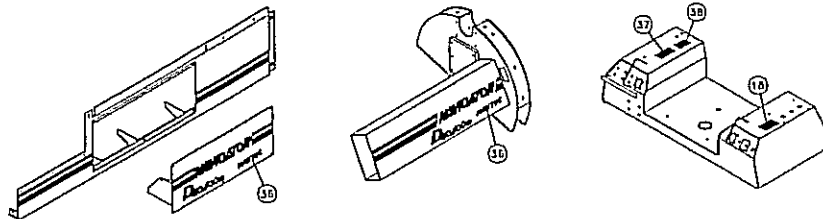
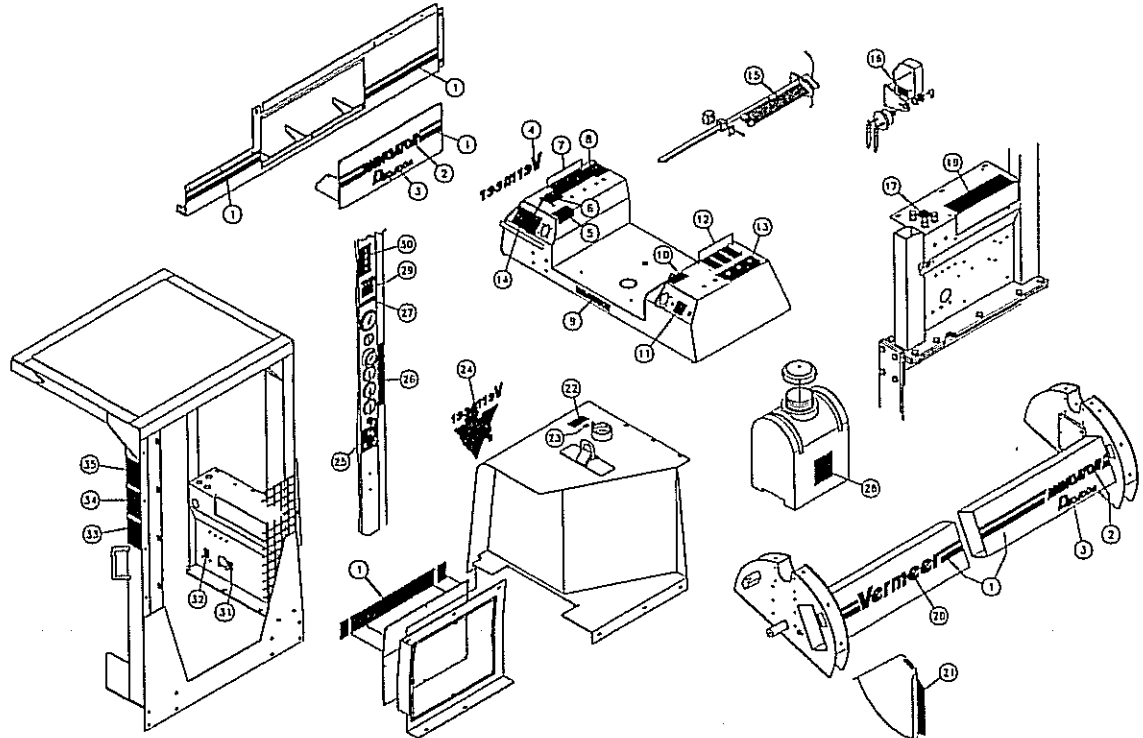
Figure 1-2



REF. NO.	PART NO.	DESCRIPTION	QTY.	REF. NO.	PART NO.	DESCRIPTION	QTY.		
1-2	1	70000-775	DECAL 3"VERMEER STRIPE	021	1-2	24	700IA-265	DECAL - INSTRUMENTS (UG)	1
1-2	2	70000-614	DECAL-MODEL NAVIGATOR (BIG)	2	1-2	25	7000A-741	DECAL-U.S. PATENT #5, 556, 253	1
		70000-615	DECAL-MODEL NAVIGATOR (SMALL)	1	1-2	26	7000A-027	DECAL-NAVIGATOR FREEZE GUARD	1
1-2	3	7000A-790	DECAL-MODEL D50X100A	2	1-2	27	700IA-804	DECAL-WORK LIGHT	1
1-2	4	2326-619	DECAL- VERMEER 3 X 15	1	1-2	28	700IA-266	DECAL - CONTROL PANEL (UG)	1
		2326-595	DECAL VERMEER- 4 1/2 X 24	1	1-2	29	700IA-306	DECAL-STAKE DRIVER ROTAT.(UND)	1
1-2	5	700IA-268	DECAL-DRILL FORCE RT (UND)	1	1-2	30	700IA-305	DECAL-STAKE DRIVE THRUST (UND)	1
1-2	6	700IA-262	DECAL - FLUID PRESSURE (UG)	1	1-2	31	700IA-394	DECAL - WARNING (INT.)	1
1-2	7	700IA-395	DECAL-WARNING	1	1-2	32	700IA-393	DECAL - DANGER (INT.)	1
1-2	8	700IA-808	DECAL-SEAT/DRILL COMBO	1	1-2	33	700IA-392	DECAL - DANGER (INT.)	1
1-2	9	70000-615	DECAL-MODEL NAVIGATOR (SMALL)	1	1-2	34	7000A-745	DECAL-NAVTEC	2
1-2	10	700IA-269	DECAL-DRILL ROTATION LT (UND)	1	1-2	35	700IA-509	DECAL-STEER	1
1-2	11	700IA-807	DECAL-WASHWAND	1	1-2	36	7000A-510	DECAL-AUTO/MANUAL SWITCH	1
1-2	12	700IA-270	DECAL-SPEED VARIATION (UND)	1	1-2	37	70000-089	DECAL-WARNING (AT)	1
1-2	13	700IA-803	DECAL - ROD VISES	1	1-2	38	2326I-315	DECAL-WARNING (INT.)	1
1-2	14	700IA-490	DECAL-INDICATOR 2 7/8-3 1/2ROD	1	1-2	39	2326I-756	DECAL-HYDRAULIC FLUID (INT.)	1
1-2	15	700IA-477	DECAL_BATTERY SWITCH (UG)	1	1-2	40	7000A-814	HYDRAULIC OIL FILLER	1
1-2	16	700IA-260	DECAL-TEST (UND)	1	1-2	41	7000I-044	DECAL-WARNING (INT.)	1
1-2	17	7000A-508	DECAL-DISPLAY	1	1-2	42	7000I-563	DECAL-WARNING (UND) (INT.)	2
1-2	18	700IA-401	DECAL -CONTROL BANK D50	1	1-2	43	7000I-530	DECAL-DANGER (INT.)	4
1-2	19	700IA-624	DECAL-LOADER POSITION	1	1-2	44	70000-834	DECAL-TIE DOWN POINT	6
1-2	20	2326I-324	DECAL-WARNING (INT.)	1	1-2	45	2326-940	DECAL-NOTICE TO OWNERS	1
1-2	21	70000-098	DECAL-DIESEL (AT/UND)	1	1-2	46	7000A-858	DECAL-TRANSPORT LOCK	1
1-2	22	70000-939	DECAL-15" VERMEER LOGO	1					
1-2	23	700IA-813	DECAL-IGNITION	1					
							901228-078	D50X100A DECAL ASSY INTERNATIONAL (INC. ALL ITEMS IN THIS FIGURE)	

DECAL LOCATION ASSEMBLY

Figure 1-3

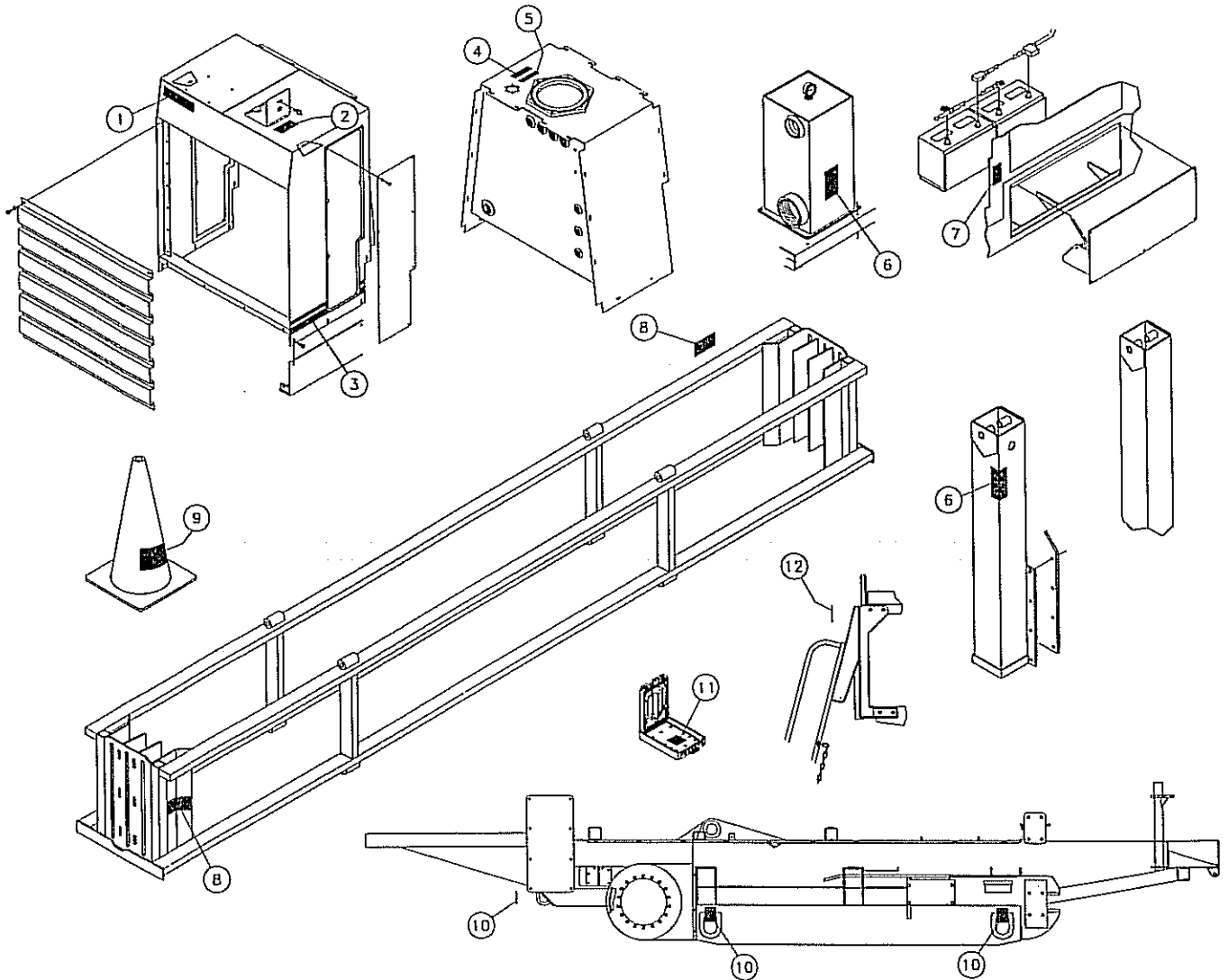


NAVTEC OPTION

REF. NO.	PART NO.	DESCRIPTION	QTY.	REF. NO.	PART NO.	DESCRIPTION	QTY.		
1-3	1	70000-775	DECAL 3"VERMEER STRIPE	021	1-3	21	700IA-624	DECAL-LOADER POSITION	1
1-3	2	70000-614	DECAL-MODEL NAVIGATOR (BIG)	2	1-3	22	2326-324	DECAL-WARNING/REFUEL (INT.)	1
1-3	3	7000A-790	DECAL-MODEL D50X100A	2			2326I-324	DECAL-WARNING	1
1-3	4	2326-619	DECAL - VERMEER 3 X 15	1	1-3	23	70000-098	DECAL-DIESEL (AT/UND)	1
1-3	5	700IA-268	DECAL-DRILL FORCE RT (UND)	1	1-3	24	70000-939	DECAL-15" VERMEER LOGO	1
1-3	6	700IA-262	DECAL - FLUID PRESSURE (UG)	1	1-3	25	700IA-813	DECAL-IGNITION	1
1-3	7	7000A-395	DECAL - WARNING	1	1-3	26	700IA-265	DECAL - INSTRUMENTS (UG)	1
		700IA-395	DECAL-WARNING (INT.)	1	1-3	27	7000A-741	DECAL-U.S. PATENT #5, 556, 253	1
1-3	8	700IA-808	DECAL-SEAT/DRILL COMBO	1	1-3	28	7000A-027	DECAL-NAVIGATOR FREEZE GUARD	1
1-3	9	70000-615	DECAL-MODEL NAVIGATOR (SMALL)	1	1-3	29	700IA-804	DECAL-WORK LIGHT	1
1-3	10	700IA-269	DECAL-DRILL ROTATION LT (UND)	1	1-3	30	700IA-266	DECAL - CONTROL PANEL (UG)	1
1-3	11	700IA-807	DECAL-WASHWAND	1	1-3	31	700IA-306	DECAL-STAKE DRIVER ROTAT.(UND)	1
1-3	12	7000A-325	DECAL-WARNING (INT.)	1	1-3	32	700IA-305	DECAL-STAKE DRIVE THRUST (UND)	1
		700IA-325	DECAL-WARNING INTERNATIONAL	1	1-3	33	7000A-394	DECAL - WARNING	1
1-3	13	700IA-270	DECAL-SPEED VARIATION (UND)	1			700IA-394	DECAL - WARNING (INT.)	1
1-3	14	700IA-803	DECAL -ROD VISES	1	1-3	34	7000A-393	DECAL - DANGER	1
1-3	15	700IA-490	DECAL-INDICATOR 2 7/8-3 1/2ROD	1			700IA-393	DECAL - DANGER (INT.)	1
1-3	16	700IA-477	DECAL_BATTERY SWITCH (UG)	1	1-3	35	7000A-392	DECAL - DANGER	1
1-3	17	700IA-260	DECAL-TEST (UND)	1			700IA-392	DECAL - DANGER (INT.)	1
1-3	18	7000A-508	DECAL-DISPLAY	1	1-3	36	7000A-745	DECAL-NAVTEC	2
1-3	19	700IA-401	DECAL -CONTROL BANK D50	1	1-3	37	700IA-509	DECAL-STEER	1
1-3	20	2326-595	DECAL VERMEER- 4 1/2 X 24	1	1-3	38	7000A-510	DECAL-AUTO/MANUAL SWITCH	1

DECAL LOCATION ASSEMBLY

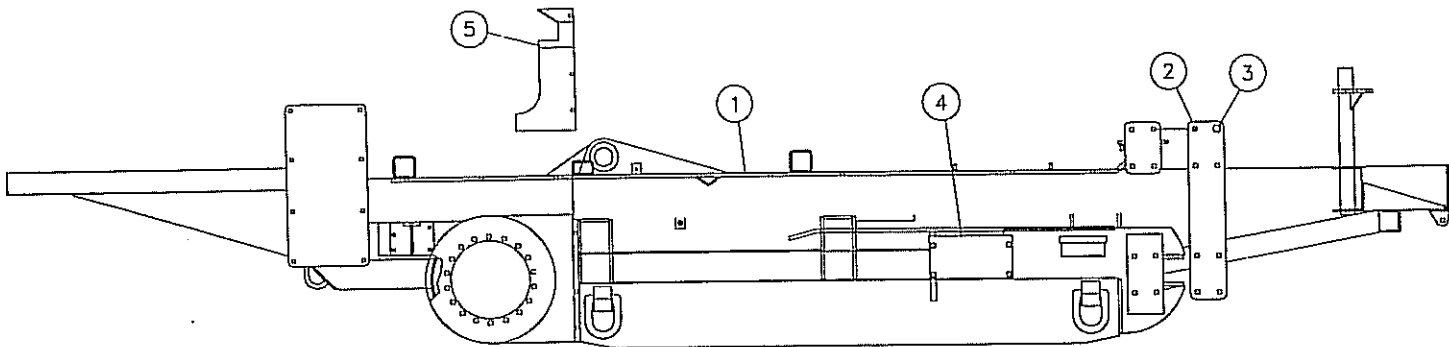
Figure 1-4



REF. NO.	PART NO.	DESCRIPTION	QTY.
1-4	1	70000-089 DECAL-WARNING (AT)	1
1-4	2	2326-315 DECAL-WARNING 2326I-315 DECAL-WARNING (INT.)	1
1-4	3	70000-775 DECAL 3"VERMEER STRIPE	21
1-4	4	2326-756 DECAL-HYDRAULIC OIL 2326I-756 DECAL-HYDRAULIC FLUID (INT.)	1
1-4	5	7000A-814 HYDRAULIC OIL FILLER	1
1-4	6	7000A-392 DECAL - DANGER 7001A-392 DECAL - DANGER (INT.)	2
1-4	7	70000-044 DECAL-WARNING(AT/UND) 7000I-044 DECAL-WARNING (INT.)	1
1-4	8	70000-563 DECAL-WARNING (UND) 7000I-563 DECAL-WARNING (UND) (INT.)	2
1-4	9	70000-530 DECAL-DANGER 7000I-530 DECAL-DANGER (INT.)	4
1-4	10	70000-834 DECAL-TIE DOWN POINT	6
1-4	11	2326-940 DECAL-NOTICE TO OWNERS	1
1-4	12	7000A-858 DECAL-TRANSPORT LOCK	1

MAIN FRAME ASSEMBLY

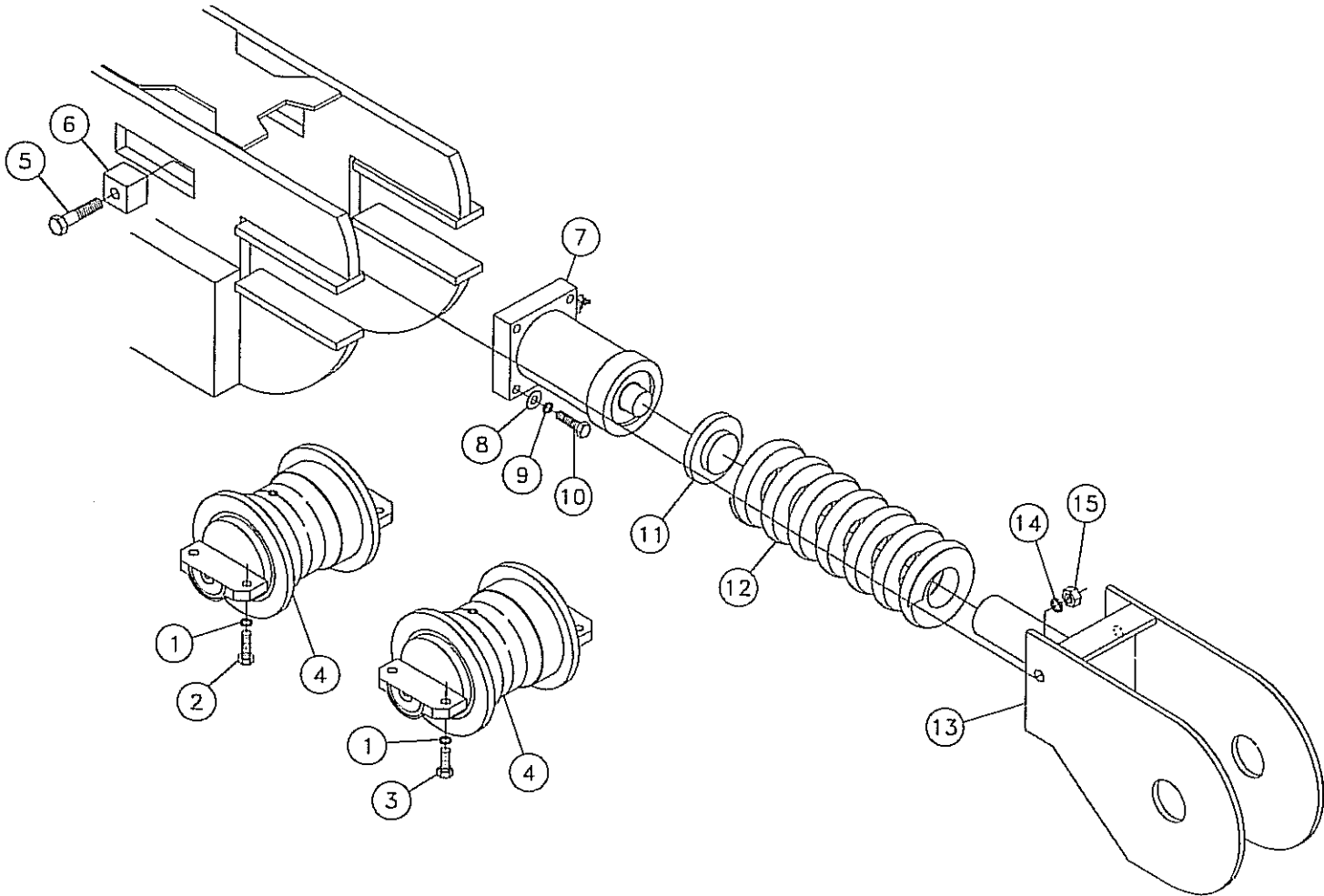
Figure 1-5



<u>REF. NO.</u>	<u>PART NO.</u>	<u>DESCRIPTION</u>	<u>QTY.</u>
1-5	1	241653-001 FRAME-MAIN D50A	1
1-5	2	228754-001 PLATE-ROPS SUPPORT	1
1-5	3	27169-016 BOLT-5/8-11NCX1 3/4 GR.8 HEX	8
		430-001 NUT-5/8-11 NC SELF LOCKING	8
1-5	4	902157-001 TRACK TIGHTNER SHEILD	2
		354-010 BOLT-3/8-16X1" GRADE#5 HEX	8
		480-007 WASHER-3/8 S/T LOCK	8
		485-007 WASHER-3/8 FLAT	8
1-5	5	902162-001 SPROCKET SHIELD (LEFT)	1
		902162-002 SPROCKET SHIELD (RIGHT)	1
		480-011 WASHER-1/2 S/T LOCK	6
		485-011 WASHER-1/2 FLAT	6
		358-012 BOLT-1/2-13 X 1 1/4 GR #5 HEX	6

TRACK TIGHTENER, ROLLER & CHAIN ASSEMBLY

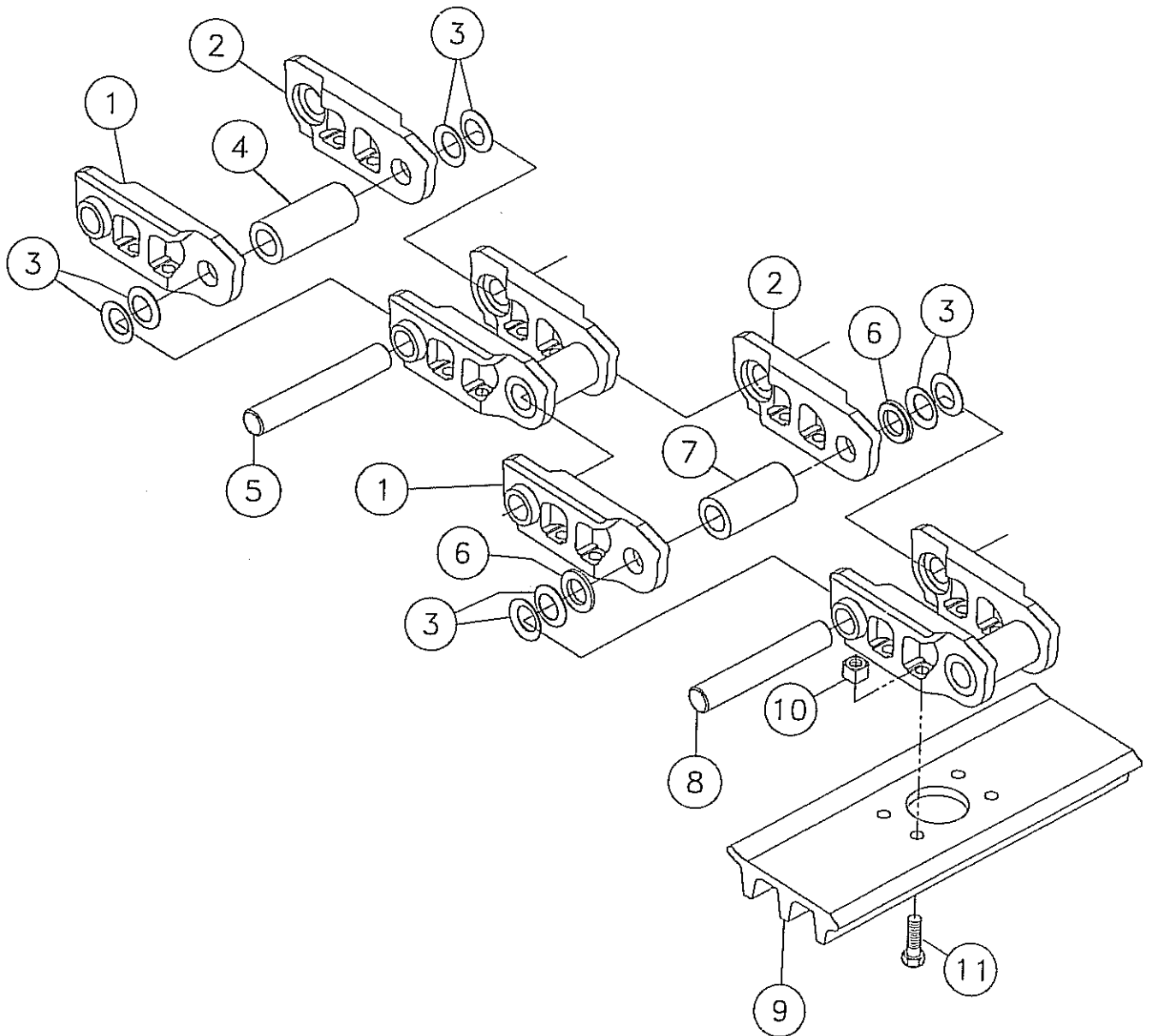
Figure 1-6



<u>REF. NO.</u>	<u>PART NO.</u>	<u>DESCRIPTION</u>	<u>QTY.</u>
1-6	1	480-011 WASHER-1/2 S/T LOCK	56
1-6	2	75381-012 BOLT-1/2-UNCX1 1/4 GR.8 HEX	12
1-6	3	75381-014 BOLT-1/2-UNCX1 1/2 GR.8 HEX	44
1-6	4	902013-001 ROLLER-TRACK 3T4352	14
1-6	5	384-026 5/8-18X2 3/4" GRADE#8 HEX BOLT	4
1-6	6	6716-001 SPACER-TRACK ADJ BOLT	4
1-6	7	231104-001 CYLINDER-3 1/2"X4 3/4" (BREAKDOWN FIG. 1-23)	2
1-6	8	485-011 WASHER-1/2 FLAT	8
1-6	9	480-011 WASHER-1/2 S/T LOCK	8
1-6	10	75381-016 BOLT-1/2-UNCX1 3/4 GR.8 HEX	8
1-6	11	69908-001 PLATE-TRACK SPRING SUPPORT	2
1-6	12	1803-051 SPRING-COMP.1"WX4 1/2OD X 12"	2
1-6	13	901995-001 BOX-TRACK END ROLLER	2
1-6	14	480-015 WASHER-5/8 S/T LOCK	4
1-6	15	396-001 NUT-5/8-18 GR 8 SLTL	4

TRACK CHAIN ASSEMBLY

Figure 1-7

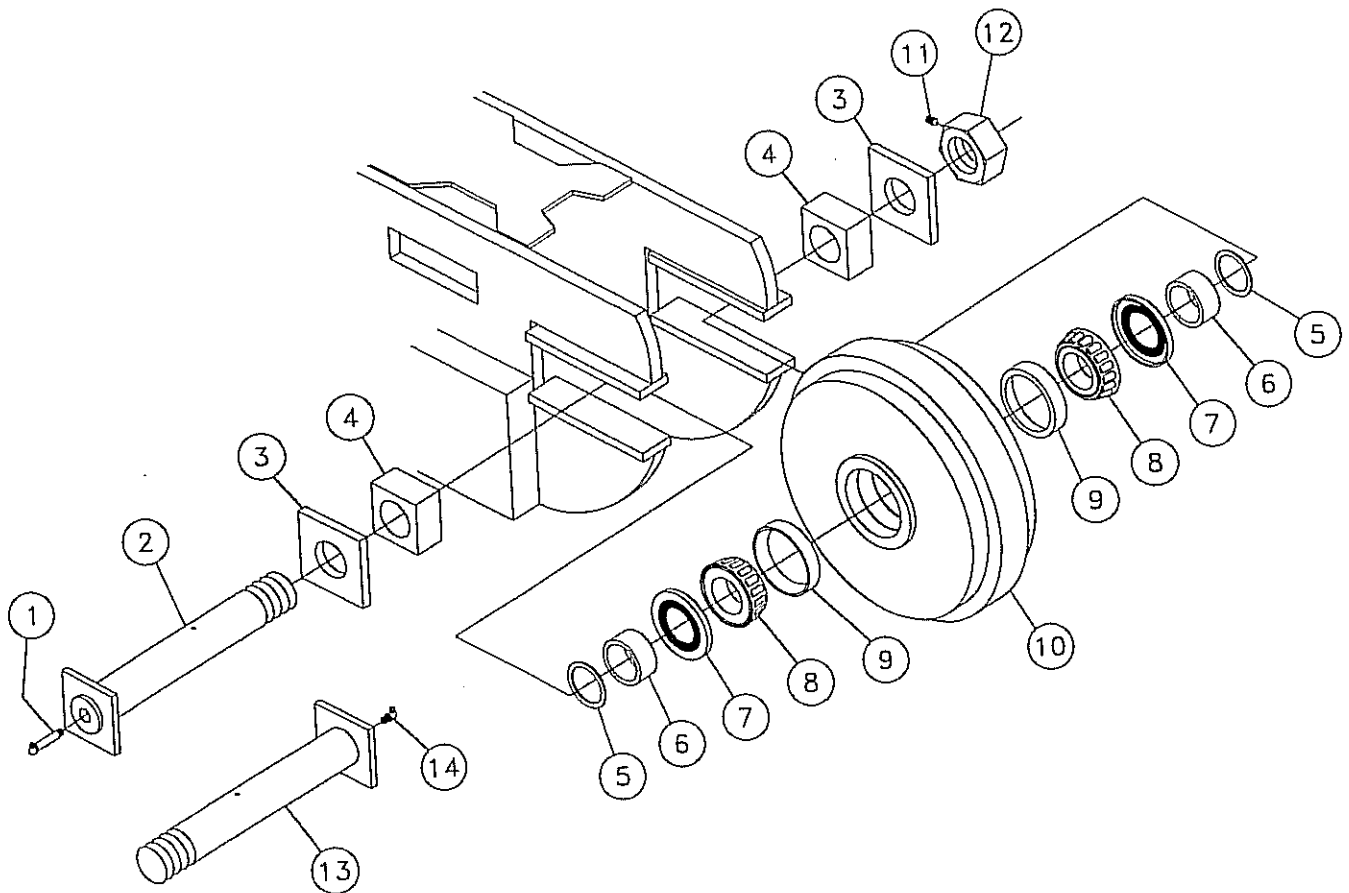


REF. NO.	PART NO.	DESCRIPTION	QTY.
1-7	1	901767-005 LINK-R.H.	39
1-7	2	901767-007 LINK-L.H.	39
1-7	3	901766-015 WASHER	156
1-7	4	901767-009 BUSHING	38
1-7	5	901767-011 PIN	38
1-7	6	901766-011 SPACER	2
1-7	7	901766-017 BUSHING	1
1-7	8	901766-013 PIN-MASTER	1
1-7	9	901767-003 GROUSER-18" TRIPLE 6ZXXXX	39
1-7	10	26384-001 NUT-IN 1319A 9/16-18 SQ.HD.	156
1-7	11	12698-001 BOLT-9/16-18X2 TRACK PAD	156

901767-001 CHAIN-TRACK (INC. ALL ITEMS IN THIS FIGURE)

TRACK END ROLLER ASSEMBLY

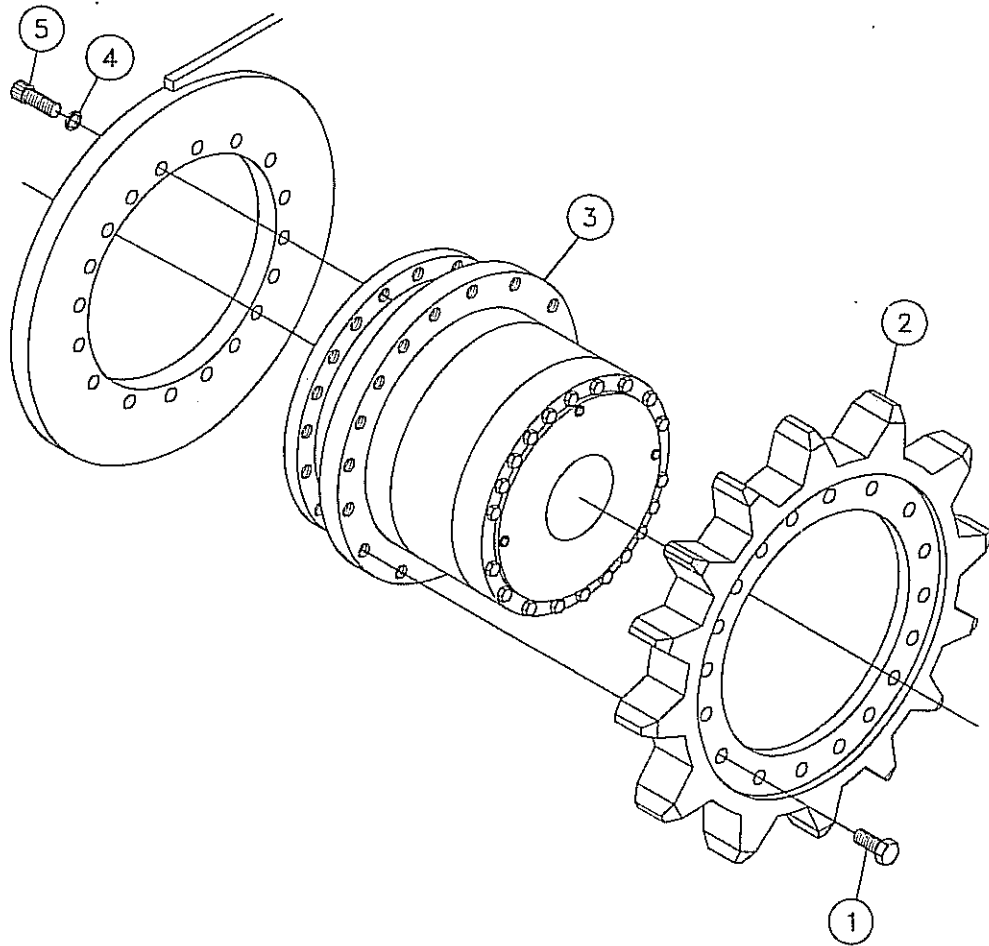
Figure 1-8



REF. NO.	PART NO.	DESCRIPTION	QTY.
1-8	1	593-001 ZERK-1/8" 90 DEG GRASE 1 13/16	1
1-8	2	902770-005 BOLT ASSY.-END IDLER ROLLER (INC. REF. 1)	1
1-8	3	903257-001 SPACER-IDLER ROLLER BOLT	4
1-8	4	903256-001 BLOCK-IDLER ROLLER BOLT	4
1-8	5	483-019 WASHER-2 1/2X2X14 GA M.B.	A/R
1-8	6	6706-001 SPACER-IDLER ROLLER	4
1-8	7	3967-001 SEAL	4
1-8	8	1716-011 TIMKEN CONE 2"	4
1-8	9	1715-011 TIMKEN CUP 2"	4
1-8	10	217479-003 ROLLER-TRACK END IDLER (INC. TWO OF REF. 9)	2
1-8	11	530-001 SSS-3/8-16X1/2	2
1-8	12	6702-003 NUT ASSY-END IDLER ROLLER	2
1-8	13	902770-003 BOLT ASSY-END IDLER ROLLER (INC. REF. 14)	1
1-8	14	586-001 ZERK-1/8" ST NPT GREASE	1

TRACK PLANETARY ASSEMBLY

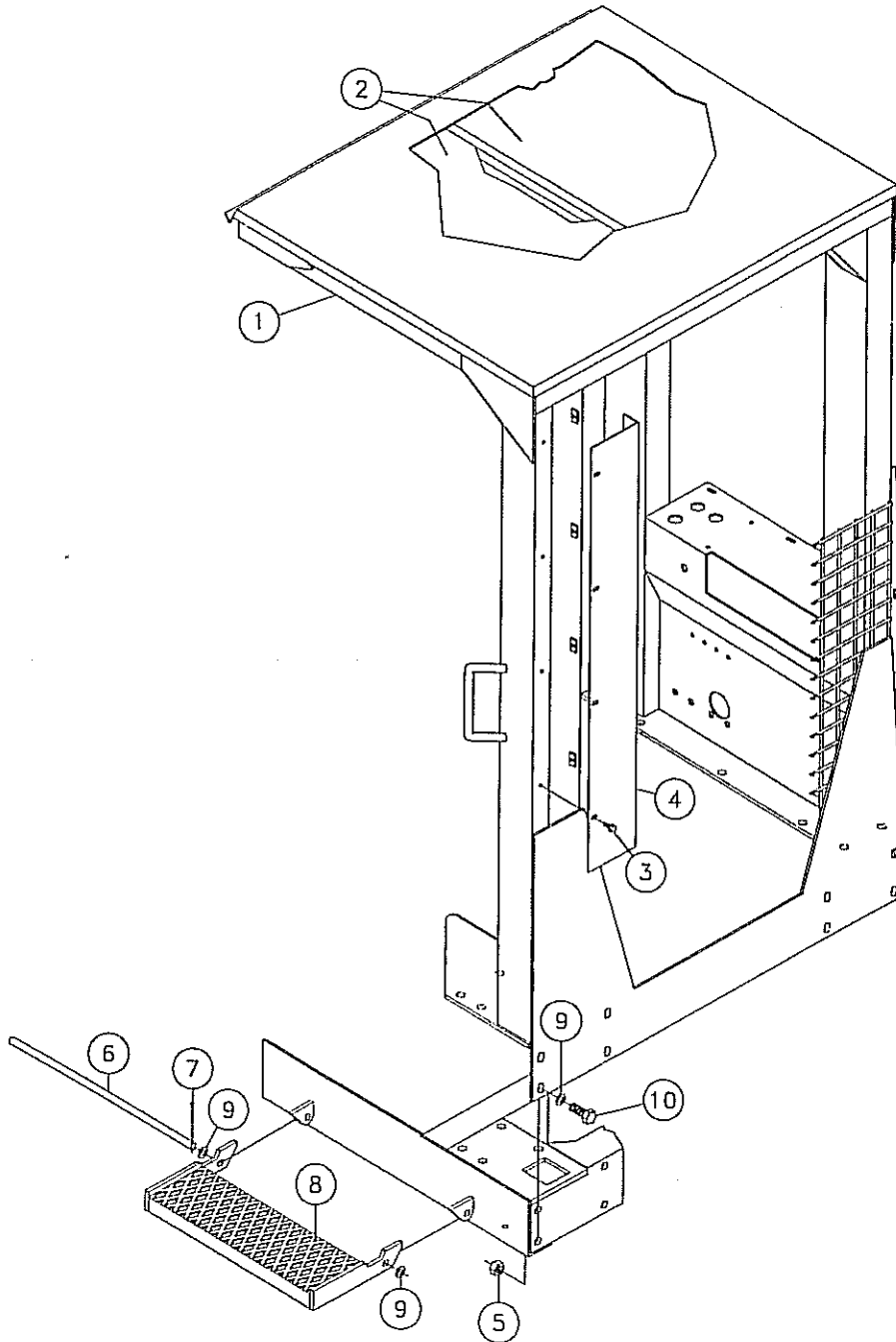
Figure 1-9



<u>REF. NO.</u>	<u>PART NO.</u>	<u>DESCRIPTION</u>	<u>QTY.</u>
1-9 1	90393-001	BOLT-M16 X 40 X 2 BN71	36
1-9 2	901997-001	SPROCKET-19T TRACK	2
1-9 3	214045-001	PLANETARY (BREAKDOWN FIG. 1-22)	2
1-9 4	64109-001	WASHER-M16 LOCK	36
1-9 5	100372-001	BOLT-M16X45 GR.12.9 SOC HD C/S	36

R.O.P.S. ASSEMBLY

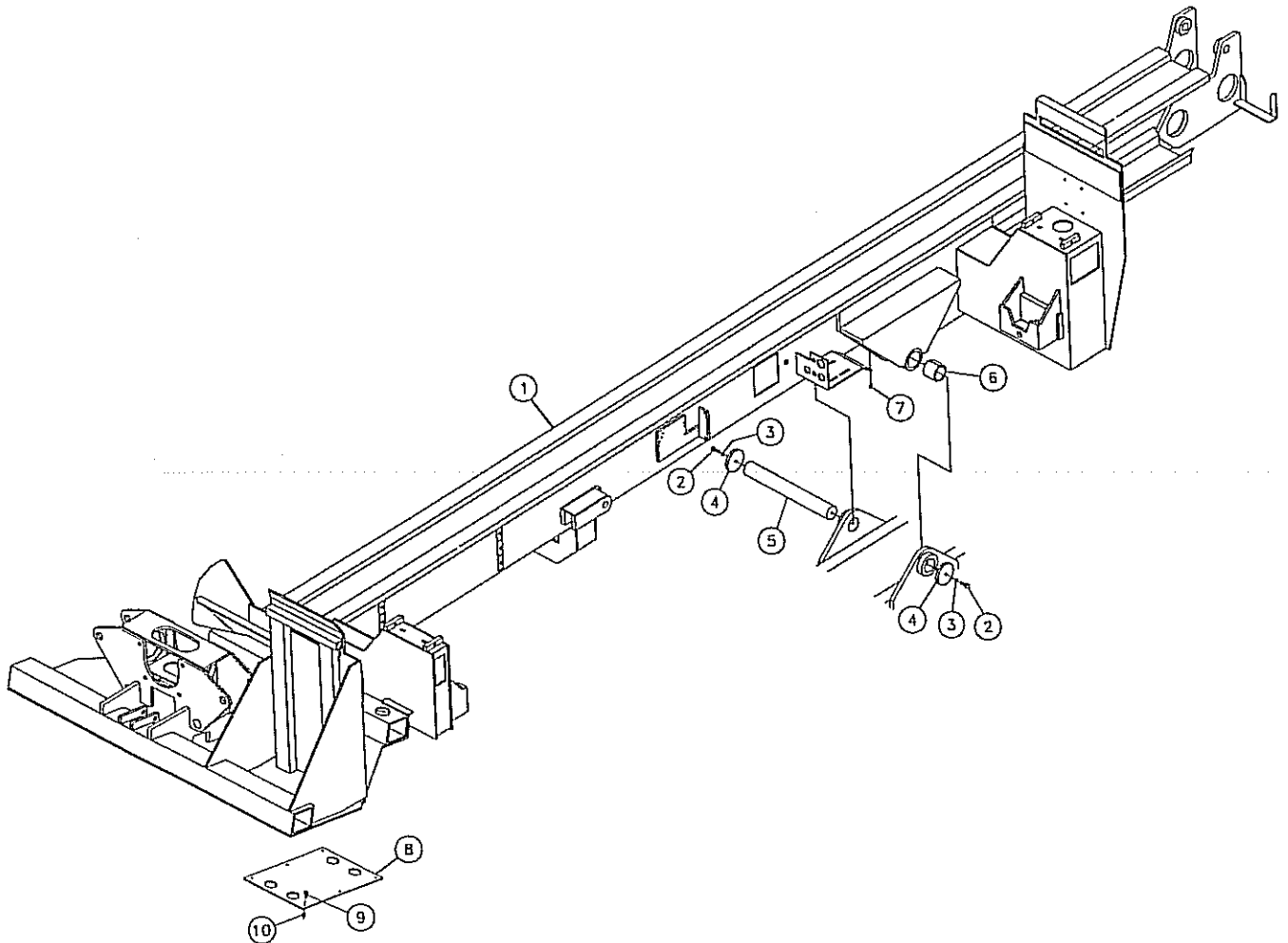
Figure 1-10



REF. NO.	PART NO.	DESCRIPTION	QTY.
1-10	1	224356-001 CAGE-ROPS	1
1-10	2	227871-001 FOAM-ROPS LINER	2
1-10	3	4475-006 BOLT-3/8-16X3/4 FLG WHIZ	8
1-10	4	224369-001 PLATE-GAUGE COVER	1
1-10	5	430-001 NUT-5/8-11 NC SELF LOCKING	22
1-10	6	234318-001 ROD-STEP PIN	1
1-10	7	510-011 COTTER PIN-1/8" X 1 1/2"	2
1-10	8	234316-001 STEP	1
1-10	9	85706-001 WASHER-5/8 HARDEN	10
1-10	10	27169-016 BOLT-5/8-11NCX1 3/4 GR.8 HEX	22

RACK FRAME ASSEMBLY

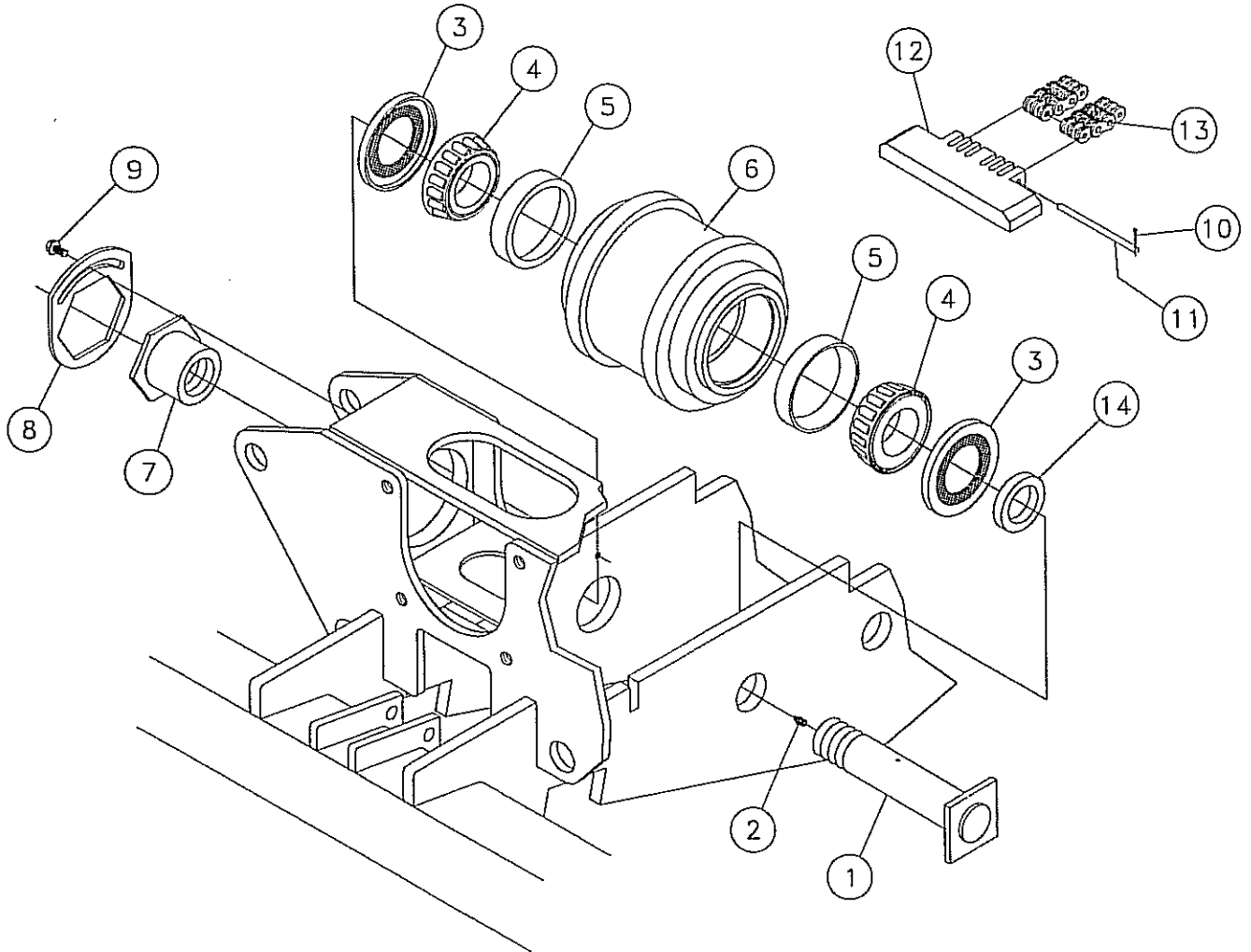
Figure 1-11



REF. NO.	PART NO.	DESCRIPTION	QTY.
1-11	1	234376-001 RACK-15' D50X100A (INC. REF. 6 & 7)	1
1-11	2	358-012 BOLT-1/2-13 X 1 1/4 GR #5 HEX	2
1-11	3	480-011 WASHER-1/2 S/T LOCK	2
1-11	4	38884-001 *PIVOT ROD SLUG	2
1-11	5	216620-001 PIN-RACK PIVOT	1
1-11	6	1835-099 BSHG-STL.3 X 2 1/2-2 1/2	2
1-11	7	590-001 ZERK-1/8" NPT 90 DEG GREASE	1
1-11	8	227929-001 COVER-BASE PLATE	1
1-11	9	375-010 BOLT-3/8"-16X1"GD#5 CARRIAGE	6
1-11	10	4536-001 NUT - 3/8-16 FLG. WHIZ LOCK	6

FRONT ROLLER ASSEMBLY

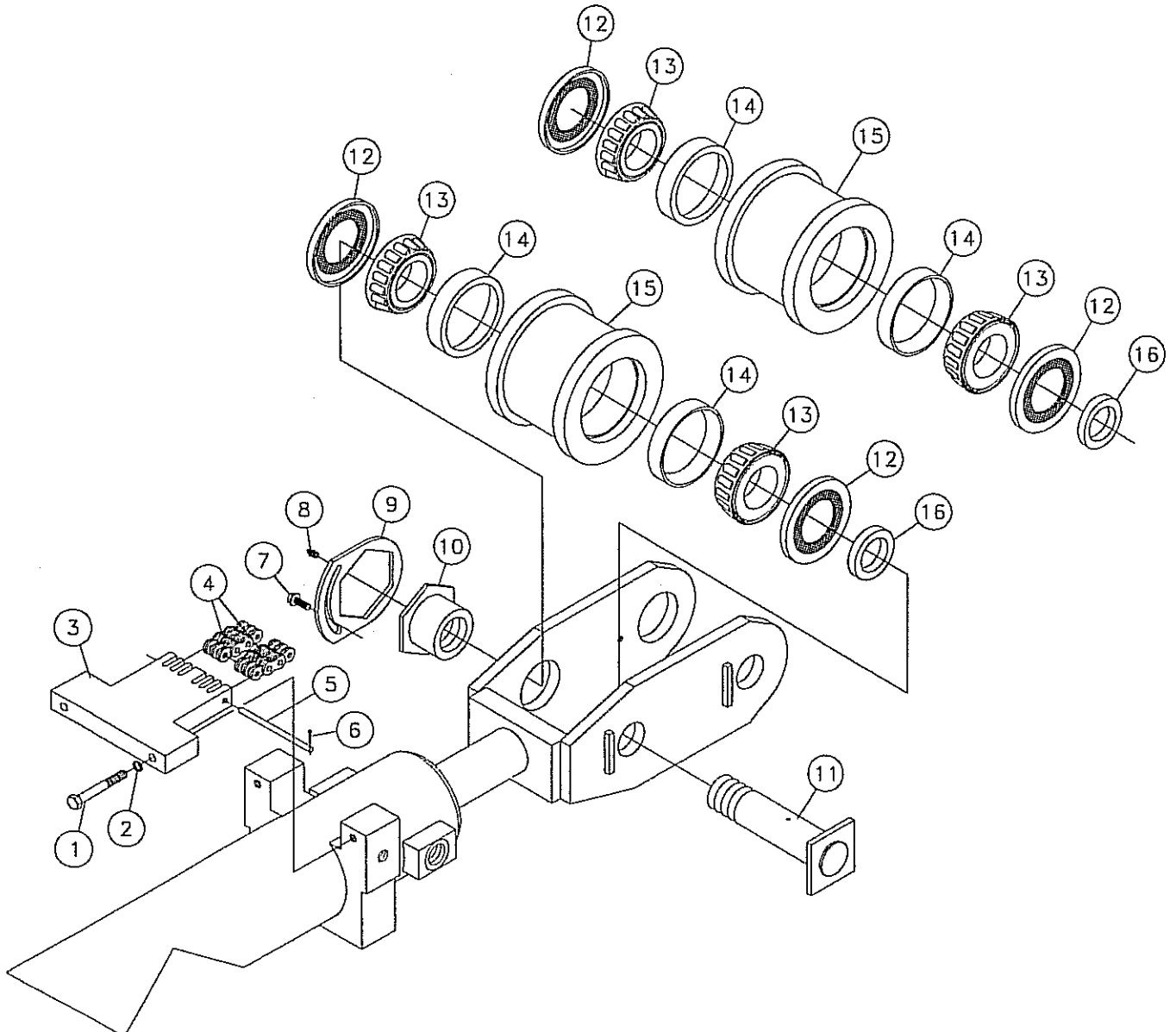
Figure 1-12



REF. NO.	PART NO.	DESCRIPTION	QTY.
1-12	1	216712-003 PIN ASSY-FRONT ROLLER (INC. REF. 2)	1
1-12	2	586-001 ZERK-1/8" ST NPT GREASE	1
1-12	3	224299-001 SEAL-C/R 31353	2
1-12	4	1716-153 TIMKEN CONE-2 1/8" #6280	2
1-12	5	1715-091 TIMKEN CUP-2 1/8" #6220	2
1-12	6	239482-001 FRNT CHAIN ROLL ASSY D50X100A (INC. REF. 5)	1
1-12	7	216596-001 NUT-IDLER PIN	1
1-12	8	224265-001 PLATE-NUT LOCK	1
1-12	9	4475-006 BOLT-3/8-16X3/4 FLG WHIZ	1
1-12	10	510-005 COTTER PIN-3/32" X 3/4"	2
1-12	11	216742-001 PIN-2BLBXX LEAF CHAIN	1
1-12	12	239289-001 ANCHOR-THRUST CHAIN	1
1-12	13	86104-233 CHAIN-LEAF BL866 -233 PITCHES	2
		98422-001 LINK-BL866 CONNECTOR	0
1-12	14	224250-001 SPACER-SHEAVE	1

THRUST CYLINDER ROLLER ASSEMBLY

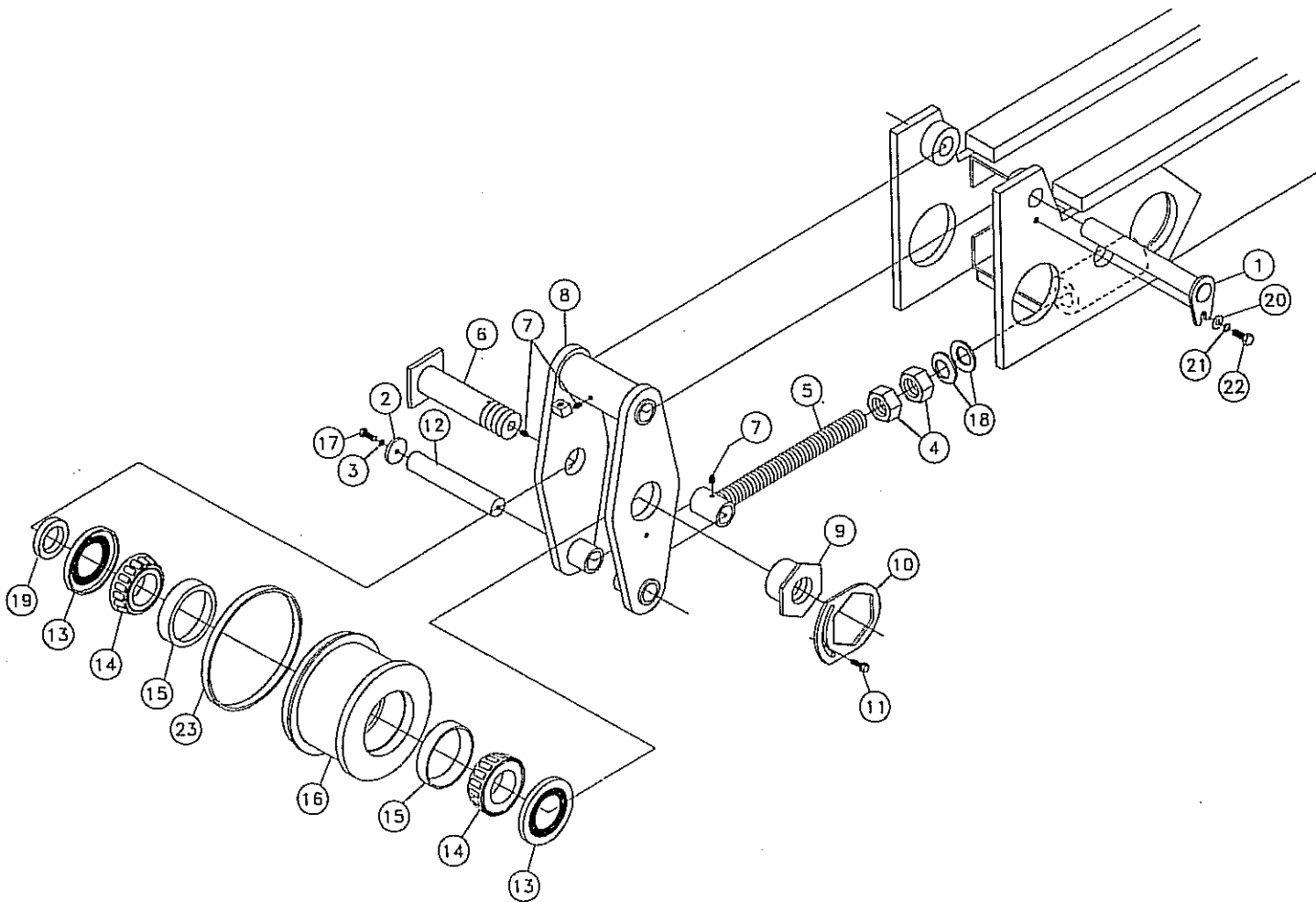
Figure 1-13



REF. NO.	PART NO.	DESCRIPTION	QTY.
1-13	1	358-036 1/2-13X3 3/4" GRADE#5 HEX BOLT	2
1-13	2	480-011 WASHER-1/2 S/T LOCK	2
1-13	3	216658-001 CLEVIS-2BL866	1
1-13	4	86104-363 CHAIN-LEAF BL866-363 PITCHES	2
	98422-001	LINK-BL866 CONNECTOR	2
1-13	5	216742-001 PIN-2BL8XX LEAF CHAIN	1
1-13	6	510-005 COTTER PIN-3/32" X 3/4"	2
1-13	7	4475-010 BOLT-3/8-16X1 FLANGE WHIZ	2
1-13	8	586-001 ZERK-1/8" ST NPT GREASE	2
1-13	9	224265-001 PLATE-NUT LOCK	2
1-13	10	216596-001 NUT-IDLER PIN	2
1-13	11	216713-003 PIN ASSY-REAR ROLLER (INC. REF. 8)	2
1-13	12	224299-001 SEAL-C/R 31353	4
1-13	13	1716-153 TIMKEN CONE-2 1/8"	4
1-13	14	1715-091 TIMKEN CUP-2 1/8"	4
1-13	15	239463-001 CHAIN ROLLER ASSY (INC. TWO OF REF. 14))	1
1-13	16	224250-001 SPACER-SHEAVE	2

REAR CHAIN TIGHTENER ASSEMBLY

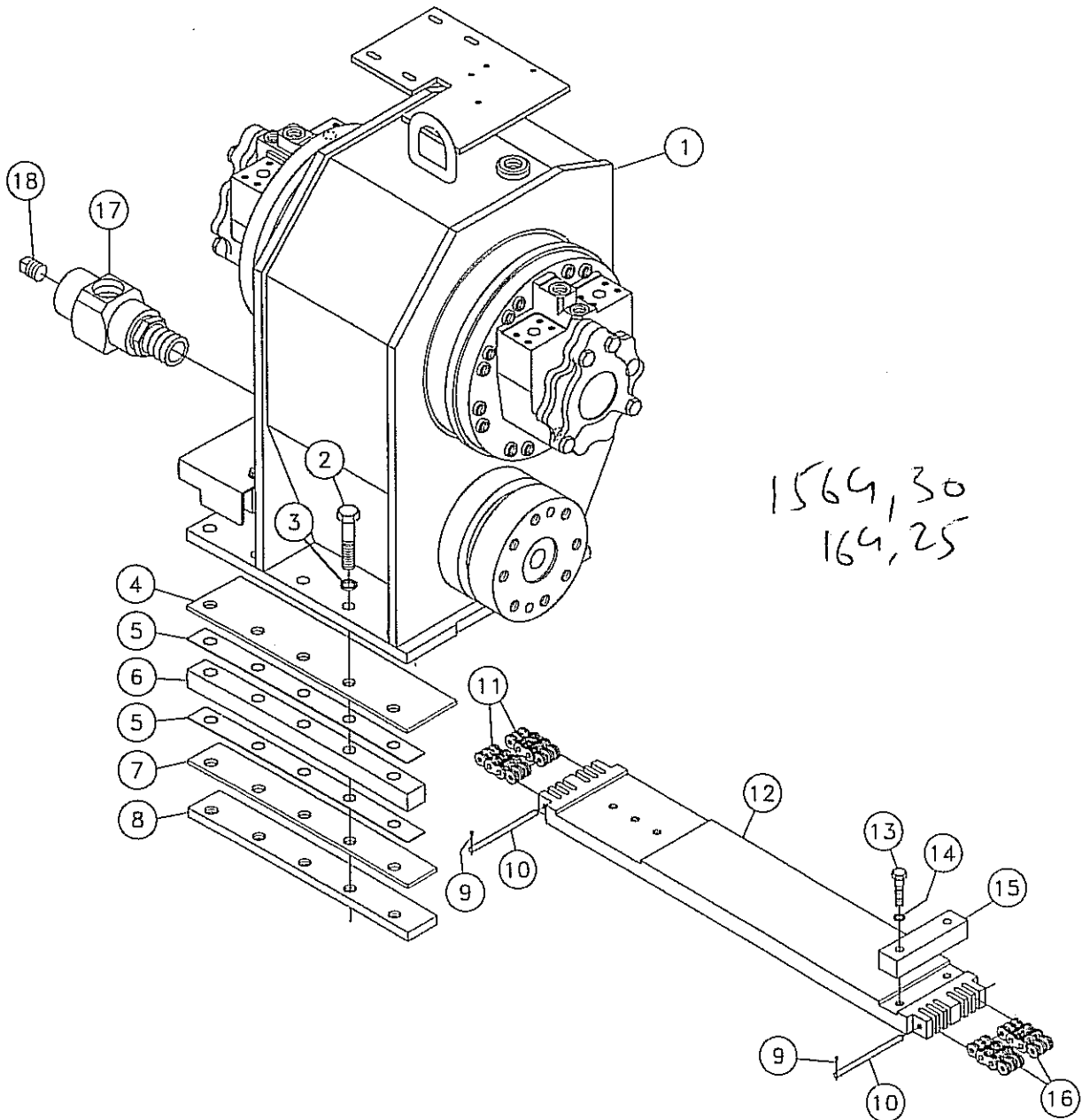
Figure 1-14



REF. NO.	PART NO.	DESCRIPTION	QTY.	REF. NO.	PART NO.	DESCRIPTION	QTY.		
1-14	1	227918-001	PIN-ROLLER FRAME PIVOT	1	1-14	11	4475-006	BOLT-3/8-16X3/4 FLG WHIZ	1
1-14	2	18150-001	SLUG-2 DIA.-1/4"	2	1-14	12	216723-001	PIN-REAR IDLER FRAME	1
1-14	3	480-007	WASHER-3/8 S/T LOCK	2	1-14	13	224299-001	SEAL-C/R 31353	2
1-14	4	234436-001	NUT-1 1/2"-4 ACME	2	1-14	14	1716-153	TIMKEN CONE-2 1/8"	2
1-14	5	234434-003	TIGHTENER ASSY-CHAIN (INC. ONE OF RE. 7)	1	1-14	15	1715-091	TIMKEN CUP-2 1/8"	2
1-14	6	216713-003	PIN ASSY-REAR ROLLER (INC. ONE OF REF. 7)	1	1-14	16	216591-003	ROLLER ASSEMBLY (INC. REF. 15 & 23)	1
1-14	7	586-001	ZERK-1/8" ST NPT GREASE	3	1-14	17	354-012	BOLT-3/8 - 16X 1 1/4" GR5 HEX	2
1-14	8	216720-003	FRAME ASSY-REAR CHAIN IDLER (INC. ONE OF REF. 7)	1	1-14	18	234452-001	WASHER-BELLEVILLE2.50ODX1.53ID	18
1-14	9	216596-001	NUT-IDLER PIN	1	1-14	19	224250-001	SPACER-SHEAVE	1
1-14	10	224265-001	PLATE-NUT LOCK	1	1-14	20	485-011	WASHER-1/2 FLAT	1
					1-14	21	480-011	WASHER-1/2 S/T LOCK	1
					1-14	22	358-012	BOLT-1/2-13 X 1 1/4 GR #5 HEX	1
					1-14	23	234816-001	121 PULSE RING	1

ROTATION GEARBOX ASSEMBLY

Figure 1-15

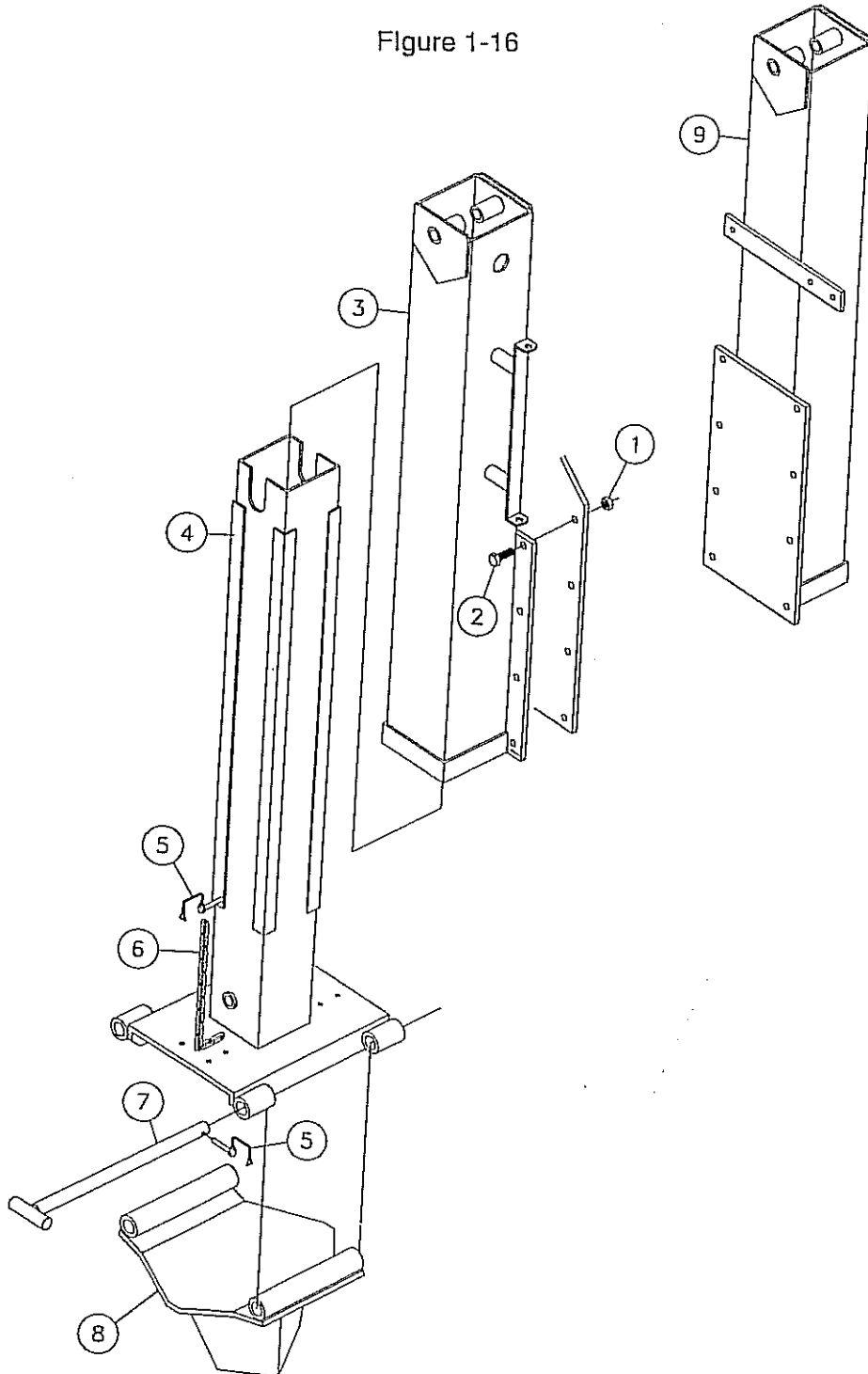


REF. NO.	PART NO.	DESCRIPTION	QTY.	REF. NO.	PART NO.	DESCRIPTION	QTY.
1-15	1	239491-001 ROTATION GEARBOX ASSY-D50X100A (BREAKDOWN FIG. 1-19)	1	1-15	11	86104-363 CHAIN-LEAF BL866-363 PITCHES	2
1-15	2	369-036 BOLT-3/4-10X3 3/4 GR5 HEX	10	1-15	12	98422-001 LINK-BL866 CONNECTOR	1
1-15	3	480-017 WASHER-3/4 S/T LOCK	10	1-15	13	234499-001 DOGBONE-CYLINDER STYLE	1
1-15	4	216667-001 WEARSTRIP (PLASTIC)	2	1-15	14	358-020 BOLT-1/2-13X2" GRADE#5 HEX	4
1-15	5	216749-001 SHIM-GEAR BOX SLIDE	0	1-15	15	480-011 WASHER-1/2 S/T LOCK	4
1-15	6	216747-001 SPACER-GEARBOX SLIDE	2	1-15	16	224277-001 STOP-DOGBONE	1
1-15	7	216547-001 WEARSTRIP (PLASTIC)	2	1-15	17	98422-001 LINK-BL866 CONNECTOR	2
1-15	8	216748-001 BAR-SLIDE	2	1-15	18	86104-233 CHAIN-LEAF BL866 -233 PITCHES	2
1-15	9	510-005 COTTER PIN-3/32" X 3/4"	4	1-15	17	234978-001 SWIVEL-1 1/2 PRESS BALNCD 90	1
1-15	10	216742-001 PIN-2BL8XX LEAF CHAIN	2	1-15	18	732-009 PLUG-3/4" PIPE BLACK STEEL	1

283592-001
 277834-001 Swivel
 777434-001 SW PL

OUTRIGGER ASSEMBLY

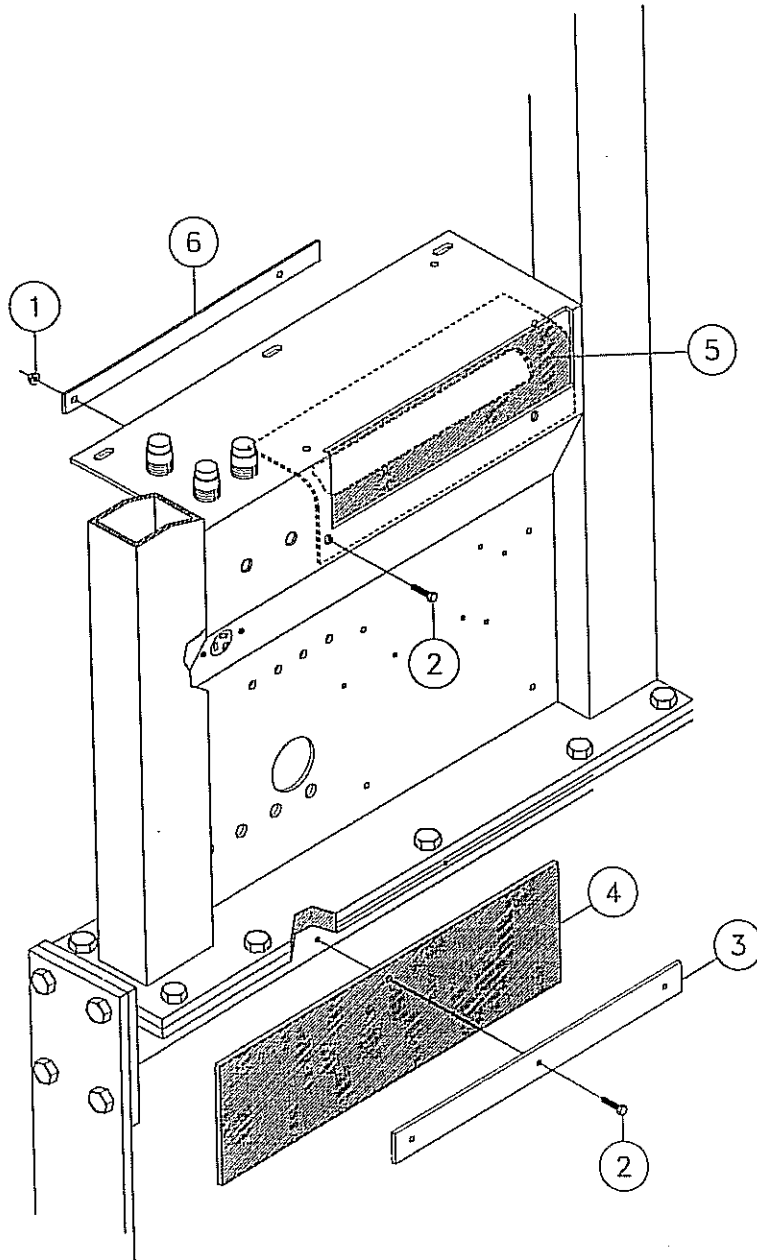
Figure 1-16



REF. NO.	PART NO.	DESCRIPTION	QTY.
1-16	1	430-001 NUT-5/8-11 NC SELF LOCKING	16
1-16	2	366-016 5/8-11X1 3/4" GRADE#5 HEX BOLT	13
		366-022 BOLT-5/8-11X2 1/4" GRADE#5 HEX	3
1-16	3	239469-001 OUTRIGGER-OUTSIDE TUBE (LEFT)	1
1-16	4	224331-001 OUTRIGGER TUBE-INSIDE	2
1-16	5	2108-001 LYNCH PIN - 1/4 X 2	6
1-16	6	239284-001 CHAIN - 1/4" PC 15 LINKS	2
1-16	7	227791-001 PIN-OUTRIGGER SHOVEL	4
1-16	8	224340-001 STAKE-REAR	2
1-16	9	239458-001 OUTRIGGER-OUTSIDE TUBE (RIGHT)	1

HEAT SHIELD ASSEMBLY

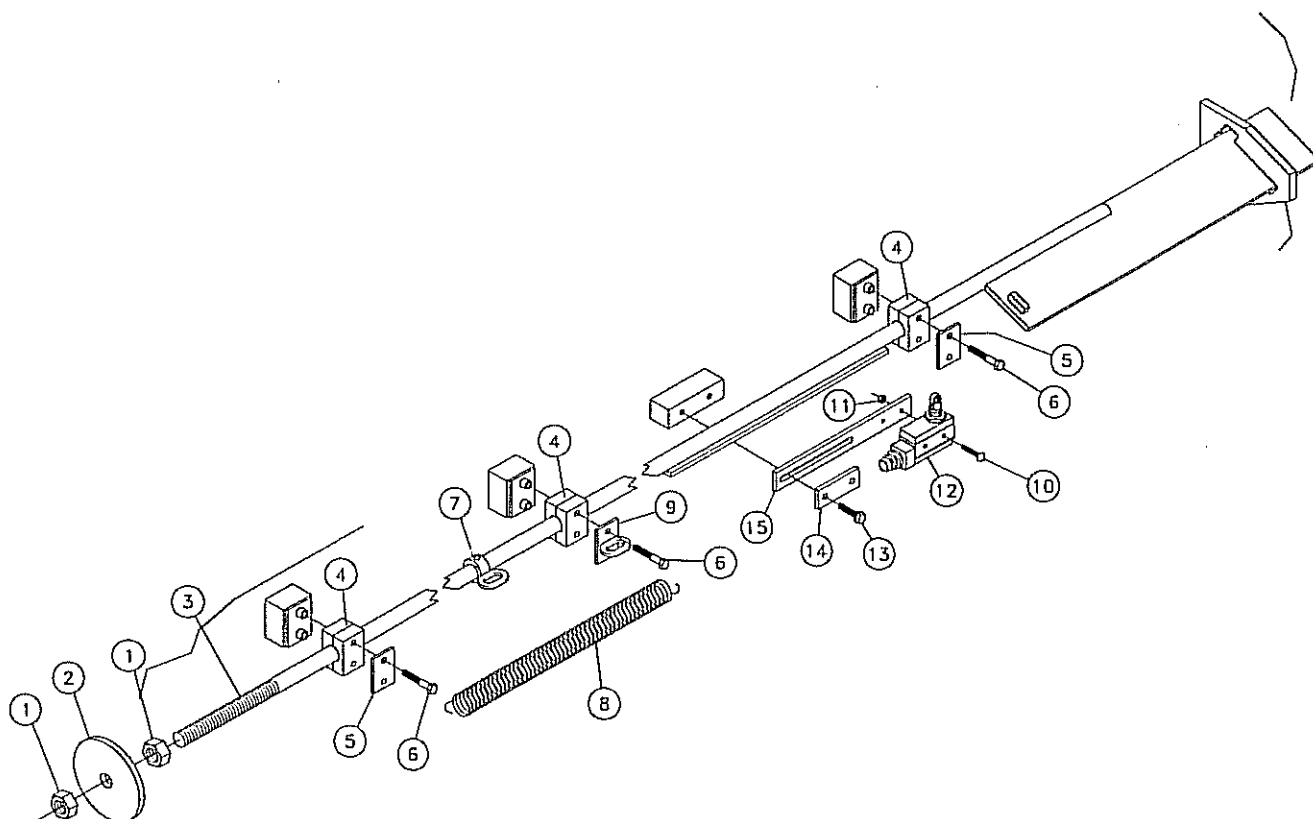
Figure 1-17



<u>REF. NO.</u>	<u>PART NO.</u>	<u>DESCRIPTION</u>	<u>QTY.</u>
1-17	1	405-001 NUT-1/4 NC FLG WHIZ LOCK	2
1-17	2	4473-010 BOLT-1/4-20X1 FLANGE WHIZ	5
1-17	3	234277-001 PLATE- FLAP MOUNT	1
1-17	4	234278-001 MUD FLAP - TRACK	1
1-17	5	234279-001 COVER-RUBBER VALVE	1
1-17	6	234280-001 MOUNT-HEAT COVER	1

DRILL ROD POSITION INDICATOR ASSEMBLY

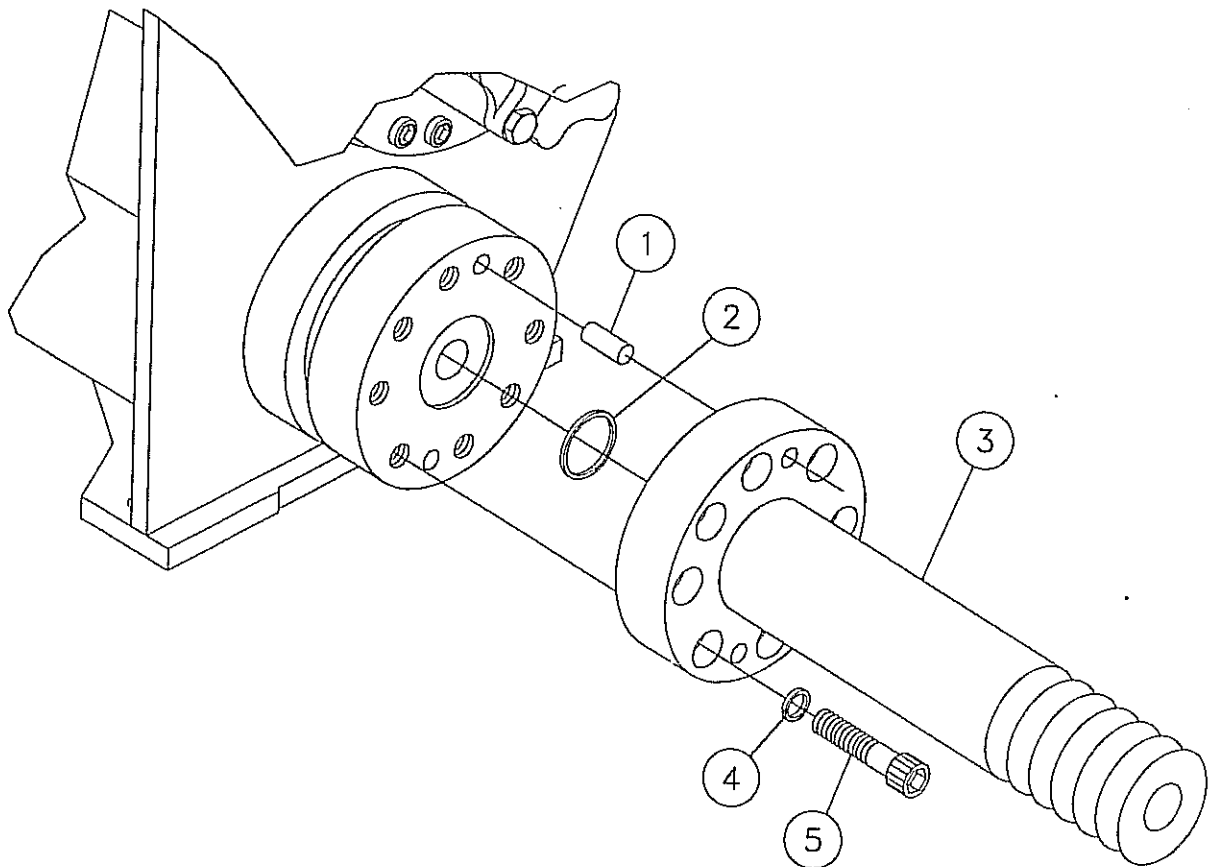
Figure 1-18



REF. NO.	PART NO.	DESCRIPTION	QTY.
1-18	1	428-001 NUT-5/8 NC HEX	2
1-18	2	227968-001 SLUG-DRILL ROD INDICATOR	1
1-18	3	227962-001 INDICATOR-DRILL ROD	1
1-18	4	903135-003 CLAMP-HOSE 20675-PP	3
1-18	5	903135-005 PLATE-COVER COP-2	2
1-18	6	350-014 BOLT-1/4-20X1 1/2*GRADE#5 HEX	6
1-18	7	227979-001 MOUNT-ROD INDICATOR SPRING	1
1-18	8	1789-001 SPRING-1 1/8ODX15/16ID X15 EXT	1
1-18	9	227978-001 MOUNT-ROD INDICATOR SPRING	1
1-18	10	10530-012 SCREW-8-32X1 1/4 RDHDSLOT MACH	2
1-18	11	399-001 NUT-8-32 HEX	2
1-18	12	223967-001 SWITCH-OMRON ENCLOSED LIMIT	1
1-18	13	4473-010 BOLT-1/4-20X1 FLANGE WHIZ	2
1-18	14	234420-001 PLATE-SWITCH MOUNT COVER	1
1-18	15	234418-001 MOUNT-SWITCH	1

DRIVE CHUCK ASSEMBLY

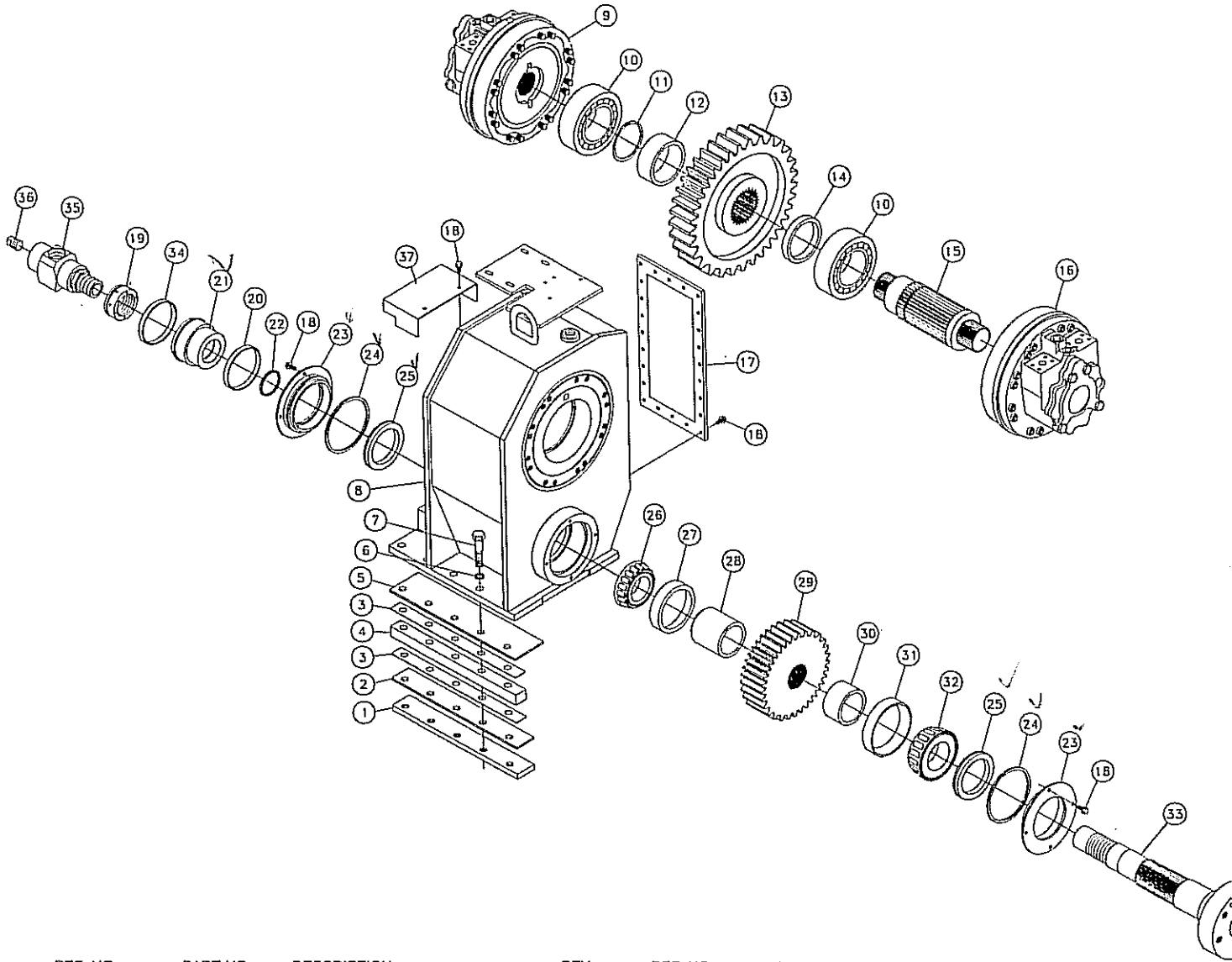
Figure 1-19



REF. NO.	PART NO.	DESCRIPTION	QTY.
1-19	1	70096-001 PIN-DOWEL 5/8DIA.-1 1/2	2
1-19	2	72897-001 O RING-SQ. #24 FLANGE	1
1-19	3	222431-001 DRIVE CHUCK -3 5/8" OD	1
		222447-001 DRIVE CHUCK-3 1/4" OD	1
1-19	4	480-017 WASHER-3/4 S/T LOCK	8
1-19	5	239364-001 BOLT-3/4-16X3 1/4 SKTHD GR8 ZN	8

ROTATION GEARBOX COMPONENTS

Figure 1-20

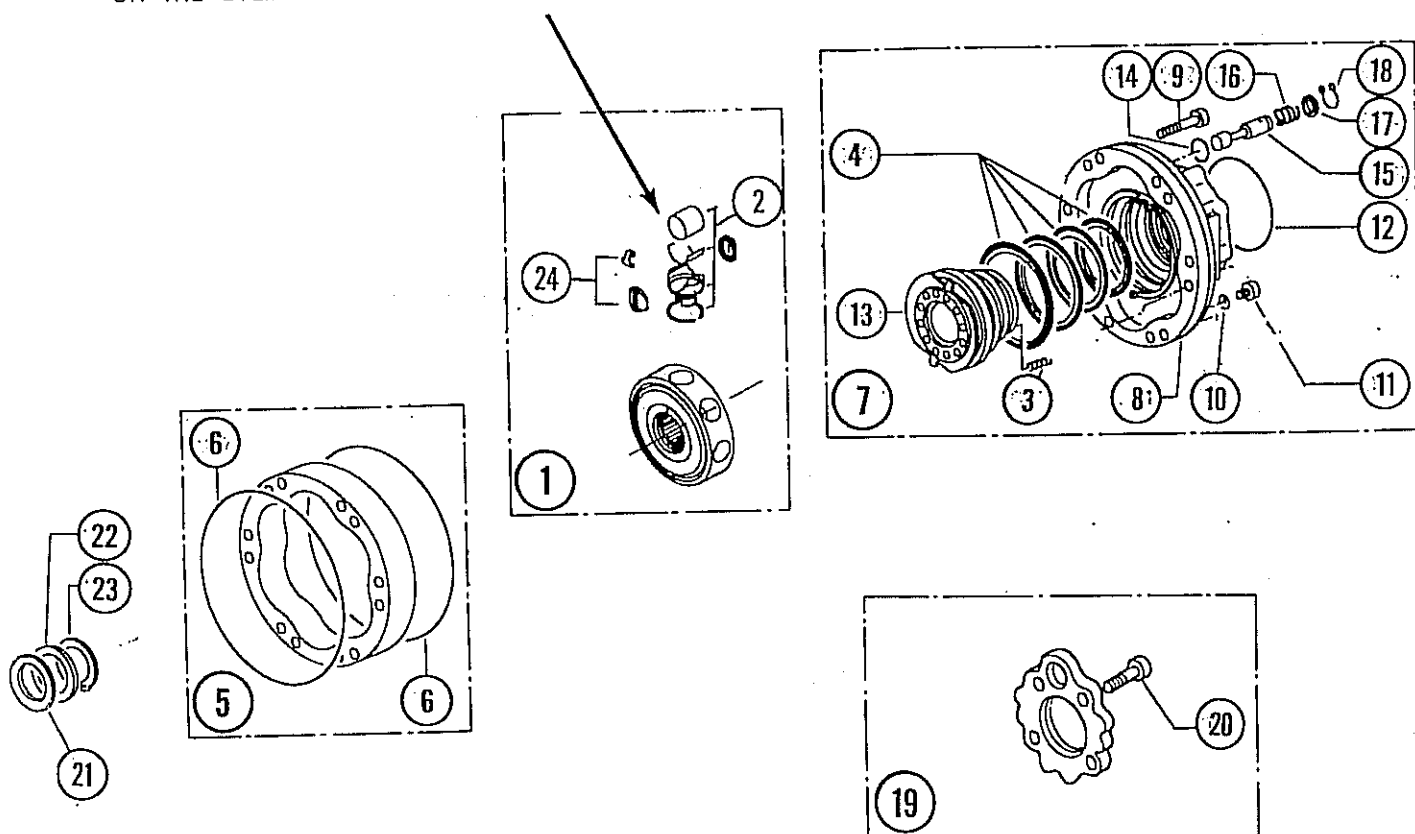


REF. NO.	PART NO.	DESCRIPTION	QTY.	REF. NO.	PART NO.	DESCRIPTION	QTY.
1-20	1	216748-001 BAR-SLIDE	2	1-20	20	234814-001 60 PULSE RING	1
1-20	2	216547-001 WEARSTRIP (PLASTIC)	2	1-20	21	234874-001 MOUNTING RING ASSY (INC. REF. 20 & 34)	1
1-20	3	216749-001 SHIM-GEAR BOX SLIDE	4	1-20	22	227589-001 O-RING	1
1-20	4	216747-001 SPACER-GEARBOX SLIDE	2	1-20	23	227592-001 BAR-SEAL RETAINER	2
1-20	5	216667-001 WEARSTRIP (PLASTIC)	2	1-20	24	224997-001 O-RING	2
1-20	6	480-017 WASHER-3/4 S/T LOCK	10	1-20	25	227594-001 SEAL-5.25 OD X4.00 ID X.63 HP	2
1-20	7	369-036 BOLT-3/4-10X3 3/4 GR5 HEX	10	1-20	26	1716-163 TIMKEN CONE-2 3/4" 9	1
1-20	8	227506-001 ROTATION BOX-D50	1	1-20	27	1715-099 TIMKEN CUP-#H913810	1
1-20	9	216674-001 MOTOR-2 SPEED HYD. MS18 (BREAKDOWN FIG. 1-21)	1	1-20	28	227503-001 TUBE-SPACER	1
1-20	10	227584-001 BEARING-3.94 SPHERICAL ROLLER	2	1-20	29	227515-001 GEAR-28 TOOTH	1
1-20	11	224915-425 SNAP RING-4 1/4" EXTERNAL	1	1-20	30	227504-001 TUBE-SPACER	1
1-20	12	227505-001 TUBE-SPACER	1	1-20	31	1715-097 TIMKEN CUP-	1
1-20	13	227514-001 GEAR-45 TOOTH	1	1-20	32	1716-161 TIMKEN CONE-3 1/4"	1
1-20	14	227591-001 TUBE-TOP GEAR SPACER	1	1-20	33	227512-001 SHAFT-LOWER DRIVE	1
1-20	15	227513-001 SHAFT-UPPER DRIVE	1	1-20	34	234815-001 2 PULSE RING	1
1-20	16	216675-001 MOTOR-2 SPEED HYD. MS18 (BREAKDOWN FIG. 1-22)	1	1-20	35	234978-001 SWIVEL-1 1/2 PRESS BALNCD 90	1
1-20	17	227583-001 PLATE-GEAR COVER	1	1-20	36	732-009 PLUG-3/4" PIPE BLACK STEEL	1
1-20	18	4475-805 BOLT-3/8-16X3/4 FLG WHIZ	34	1-20	37	244531-001 SHIELD-CYLINDER	1
1-20	19	239492-001 NUT-65X18-03 ADJUSTABLE LOCK	1			227587-001 D50 ROTATION BOX ASSY (INC. ALL ITEMS IN THIS FIGURE)	

HYDRAULIC MOTOR COMPONENTS

Figure 1-21

THERE IS THE POSSIBILITY OF HAVING TWO SIZES OF PISTONS IN A MOTOR. NORMALLY CL "0" IS USED. THERE IS NO MARKING ON THE PISTON OR CYLINDER BLOCK. THERE IS THE POSSIBILITY OF HAVING CL "1" WHICH IS 1mm OVER SIZE. THERE WILL BE A "1" STAMPED ON THE PISTON AND A CORRESPONDING "1" STAMPED ON THE CYLINDER BLOCK IN THE AREA OF THE EFFECTED CYLINDER BORE.

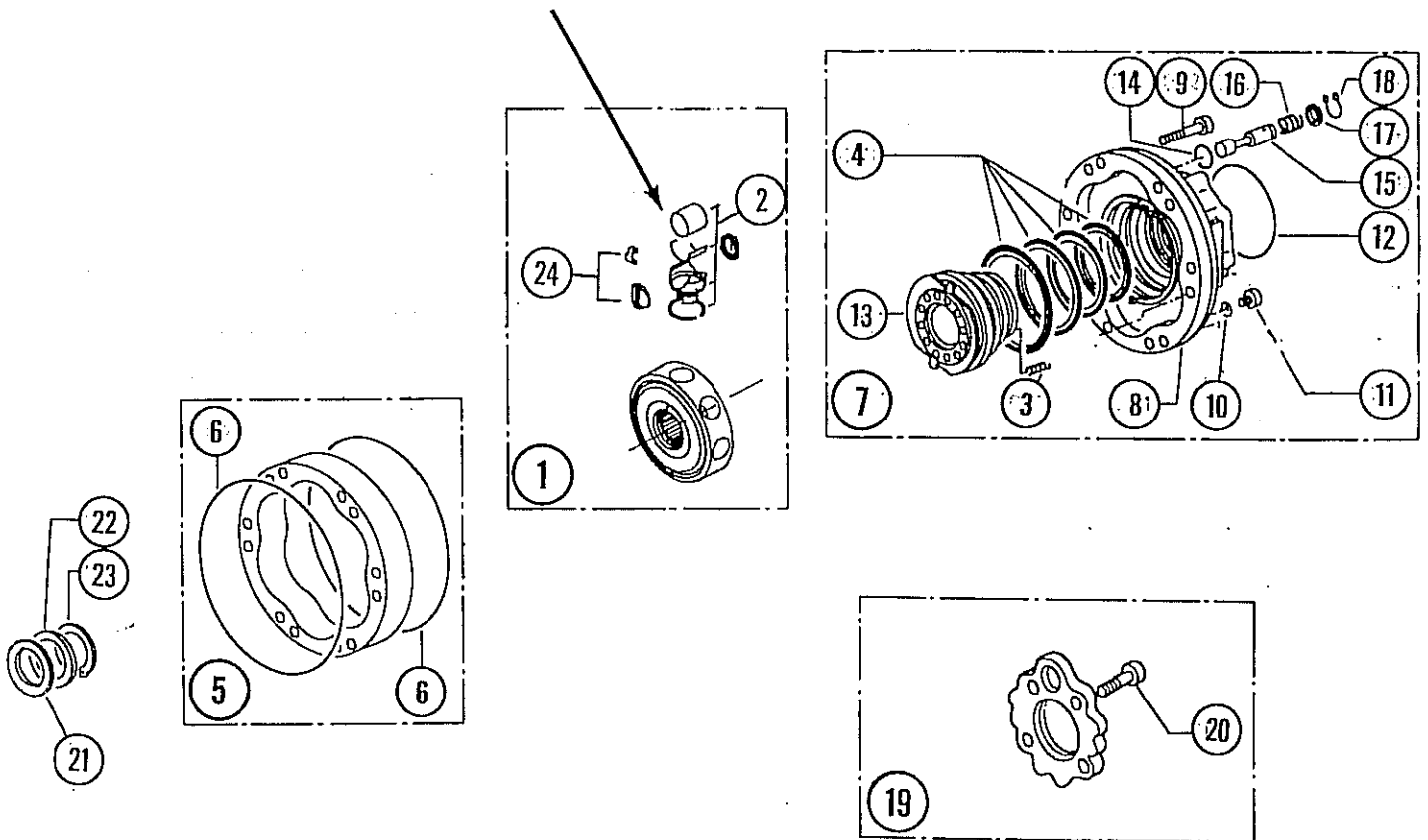


REF. NO.	PART NO.	DESCRIPTION	QTY.	REF. NO.	PART NO.	DESCRIPTION	QTY.
1-21	1	99098-005 CYLINDER BLOCK	1	1-21	14	216675-005 O-RING	1
1-21	2	119885-003 PISTON CL "0" (NOMINAL SIZE)	A/R	1-21	15	216675-007 VALVE SPOOL	1
		84550-009 PISTON CL "1" (1 MIL. OVER SIZE)	A/R	1-21	16	216675-009 SPRING	1
1-21	3	84550-029 SPRING	12	1-21	17	216675-011 WASHER	1
1-21	4	84550-025 VALVE SEAL SET	1	1-21	18	216675-013 SNAP RING	1
1-21	5	216674-003 CAM ASSEMBLY	1	1-21	19	85635-027 PLATE-REAR COVER	1
1-21	6	99098-013 O-RING-3.50 X 314	2	1-21	20	85635-029 BOLT-M16X35	4
1-21	7	216675-003 VALVING COVER ASSEMBLY	1	1-21	21	84550-069 SHIM SET	1
1-21	8	216674-007 VALVING COVER	1	1-21	22	84550-071 WASHER	1
1-21	9	216674-009 BOLT-M16X100 CL 10.9	16	1-21	23	84550-073 SNAP RING	1
1-21	10	64078-025 WASHER	2	1-21	24	119885-005 REPAIR KIT-PISTON (FOR 10 PISTONS)	1
1-21	11	64078-027 SCREW-BLEEDING	2				
1-21	12	83851-025 O-RING-2.62X145.72	1				
1-21	13	216674-011 VALVING	1				
						216674-001 MOTOR-2 SPEED HYD. MS18 COMPLETE (INC. REF. 1-24)	

HYDRAULIC MOTOR COMPONENTS

Figure 1-22

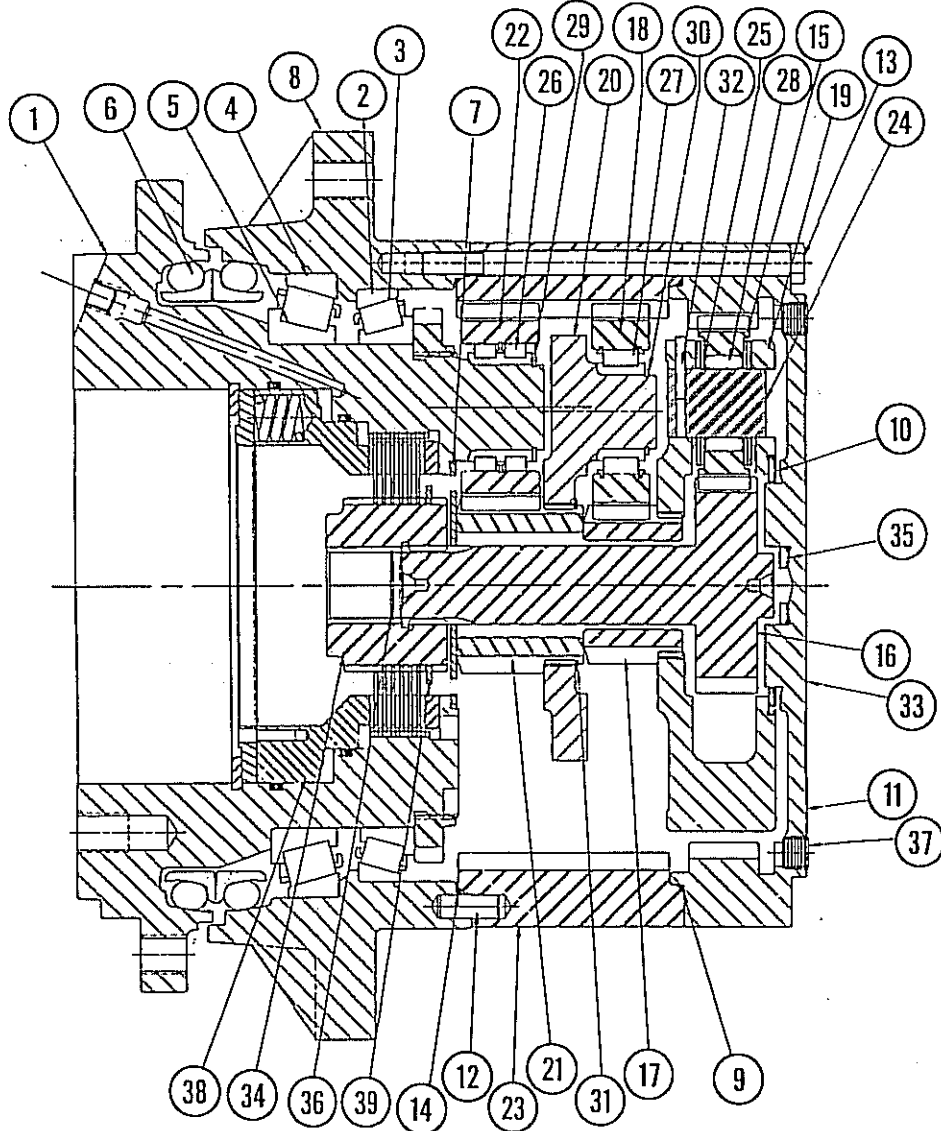
THERE IS THE POSSIBILITY OF HAVING TWO SIZES OF PISTONS IN A MOTOR. NORMALLY CL "0" IS USED. THERE IS NO MARKING ON THE PISTON OR CYLINDER BLOCK. THERE IS THE POSSIBILITY OF HAVING CL "1" WHICH IS 1mm OVER SIZE. THERE WILL BE A "1" STAMPED ON THE PISTON AND A CORRESPONDING "1" STAMPED ON THE CYLINDER BLOCK IN THE AREA OF THE EFFECTED CYLINDER BORE.



REF. NO.	PART NO.	DESCRIPTION	QTY.	REF. NO.	PART NO.	DESCRIPTION	QTY.		
1-22	1	99098-005	CYLINDER BLOCK	1	1-22	14	216675-005	O-RING	1
1-22	2	119885-003	PISTON CL "0" (NOMINAL SIZE)	A/R	1-22	15	216675-007	VALVE SPOOL	1
		84550-009	PISTON CL "1" (1 MIL. OVER SIZE)	A/R	1-22	16	216675-009	SPRING	1
1-22	3	84550-029	SPRING	12	1-22	17	216675-011	WASHER	1
1-22	4	84550-025	VALVE SEAL SET	1	1-22	18	216675-013	SNAP RING	1
1-22	5	216674-003	CAM ASSEMBLY	1	1-22	19	85635-027	PLATE-REAR COVER	1
1-22	6	99098-013	O-RING-3.50 X 314	2	1-22	20	85635-029	BOLT-M16X35	4
1-22	7	216675-003	VALVING COVER ASSEMBLY	1	1-22	21	84550-069	SHIM SET	1
1-22	8	216674-007	VALVING COVER	1	1-22	22	84550-071	WASHER	1
1-22	9	216674-009	BOLT-M16X100 CL 10.9	16	1-22	23	84550-073	SNAP RING	1
1-22	10	64078-025	WASHER	2	1-22	24	119885-005	REPAIR KIT-PISTON (FOR 10 PISTONS)	1
1-22	11	64078-027	SCREW-BLEEDING	2					
1-22	12	83651-025	O-RING-2.62X145.72	1			216675-001	MOTOR-2 SPEED HYD. (COMPLETE)	
1-22	13	216674-011	VALVING	1				(INC. REF. 1-24)	

PLANETARY GEARBOX COMPONENTS

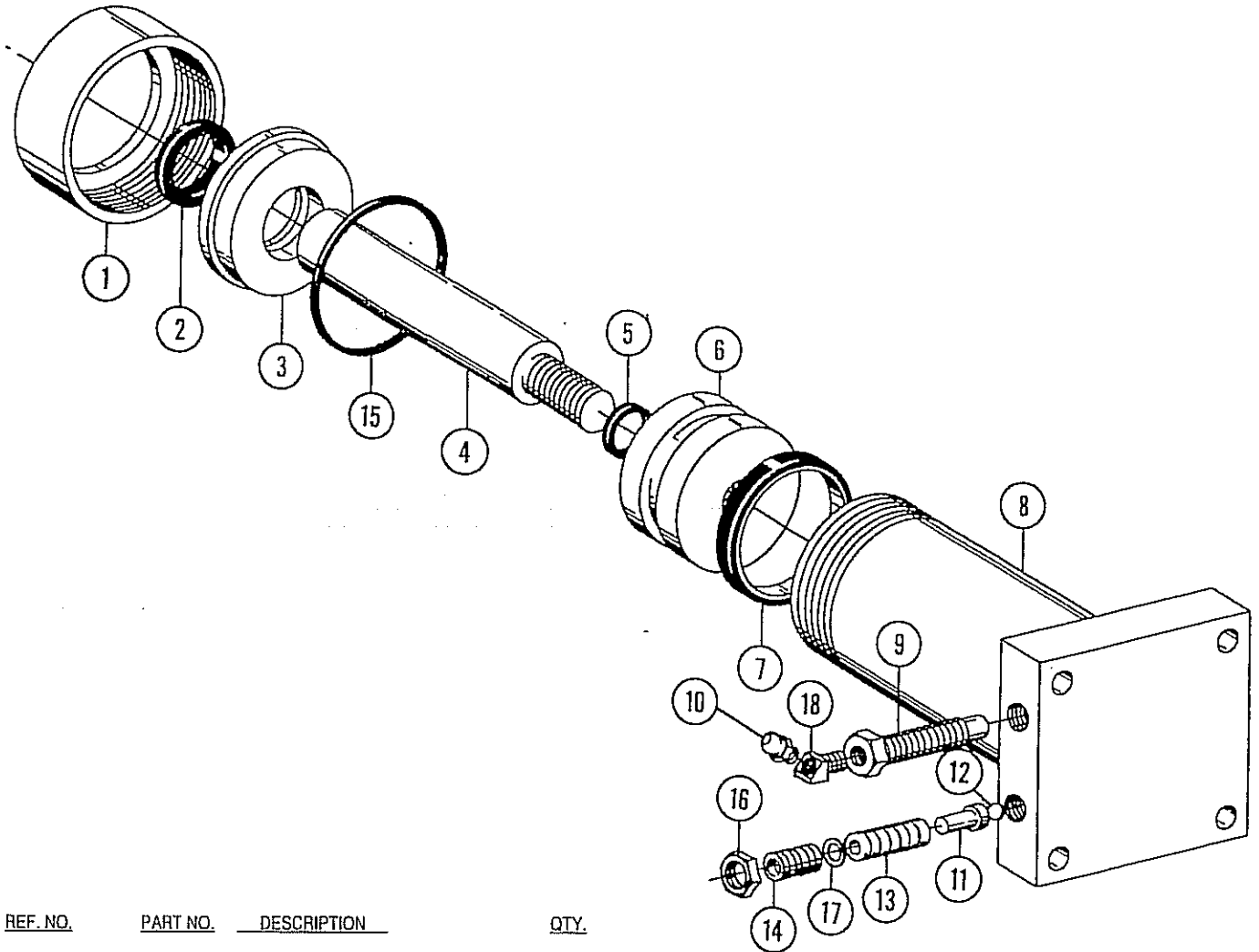
Figure 1-23



REF. NO.	PART NO.	DESCRIPTION	QTY.	REF. NO.	PART NO.	DESCRIPTION	QTY.
1-23	1	214045-003 SPINDLE	1	1-23	22	214045-043 SET	1
1-23	2	214045-005 CUP-TAPERED BEARING	1	1-23	23	214045-045 GEAR-RING	1
1-23	3	214045-007 CONE-TAPERED BEARING	1	1-23	24	214045-047 SHAFT-PLANET	3
1-23	4	214045-009 CUP-TAPERED BEARING	1	1-23	25	114280-043 WASHER-THRUST	12
1-23	5	214045-011 CONE-TAPERED BEARING	1	1-23	26	214045-049 BEARING-CYLINDER ROLLER	5
1-23	6	214045-013 SEAL-FACE	1	1-23	27	214045-051 BEARING-CYLINDER ROLLER	3
1-23	7	214045-015 SPACER-THRUST	1	1-23	28	214045-053 BEARING-NEEDLE	57
1-23	8	214045-017 HOUSING	1	1-23	29	114280-035 RET.RING-EXT.	5
1-23	9	214045-019 O-RING	1	1-23	30	214045-055 RETAIN RING-EXTERNAL	3
1-23	10	214045-021 WASHER-THRUST	1	1-23	31	214045-057 RETAINING RING-EXTERNAL	1
1-23	11	901555-055 PLATE-ID #901202	1	1-23	32	114280-037 PIN-ROLL	3
1-23	12	214045-023 PIN-DOWEL	2	1-23	33	214045-059 PLATE-COVER	1
1-23	13	214045-025 BOLT-HEX.375-16X6.0 GRB	20	1-23	34	214045-061 COUPLING	1
1-23	14	214045-027 O-RING	1	1-23	35	214045-063 WASHER-THRUST	1
1-23	15	214045-029 GEAR-PLANET	3	1-23	36	214045-065 RETAINING RING-INTERNAL	1
1-23	16	214045-031 GEAR-SUN	1	1-23	37	118586-033 PLUG-PIPE (.250-18)	3
1-23	17	214045-033 GEAR-SUN	1	1-23	38	214045-067 BRAKE-INPUT	1
1-23	18	214045-035 GEAR-PLANET	3	1-23	39	214045-069 RETAINING RING-EXTERNAL	1
1-23	19	214045-037 CARRIER	1				
1-23	20	214045-039 CARRIER	1				
1-23	21	214045-041 GEAR-SUN	1				
						214045-001 PLANETARY-GEARBOX (COMPLETE) (INC. REF. 1-39)	

CYLINDER COMPONENTS - 3 1/2" X 4 3/4" GREASE

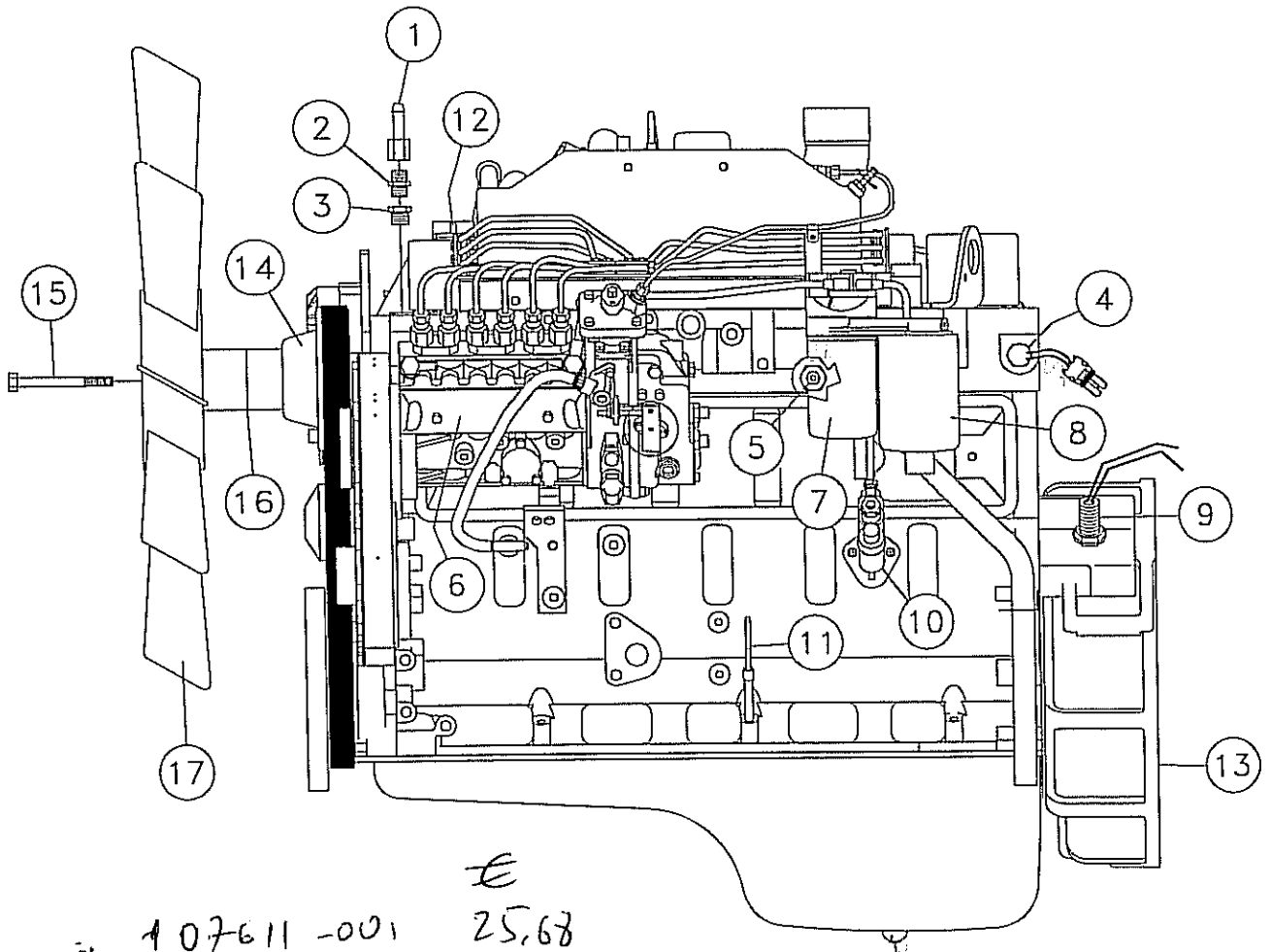
Figure 1-24



REF. NO.	PART NO.	DESCRIPTION	QTY.
1-24	1	68573-001 CAP-	1
1-24	2	57300-001 WIPER	1
1-24	3	68579-001 GLAND-	1
1-24	4	68577-001 ROD-	1
1-24	5	3211-043 O-RING	1
1-24	6	68578-001 PISTON-	1
1-24	7	58138-001 UNI-RING	1
1-24	8	68574-001 BODY-	1
1-24	9	68580-003 BOLT ASSY-GREASE (INC. REF. 10)	1
1-24	10	88976-001 ZERK-1/8 NPT STR. LEAK PROOF	1
1-24	11	68581-001 SUPPORT-BALL BEARING	1
1-24	12	3113-009 BALL-STEEL 5/16 DIA. ENGY	1
1-24	13	3115-027 SPRING	1
1-24	14	15164-001 SSS-5/8-11X1 DOGPOINT/LOCKPATC	1
1-24	15	4350-001 O-RING 042 NAT.	1
1-24	16	429-001 NUT-5/8 NC HEX JAM	1
1-24	17	15694-001 WASHER-#6M FLAT	1
1-24	18	88979-001 STREET ELBOW-1/8 NPT	1
	231104-001	CYLINDER-TRACK RELIEF (INC. REF. 1-18)	
	68582-001	REPAIR KIT (INC. REF. 2, 5, 7 & 15)	

ENGINE COMPONENTS

Figure 2-1



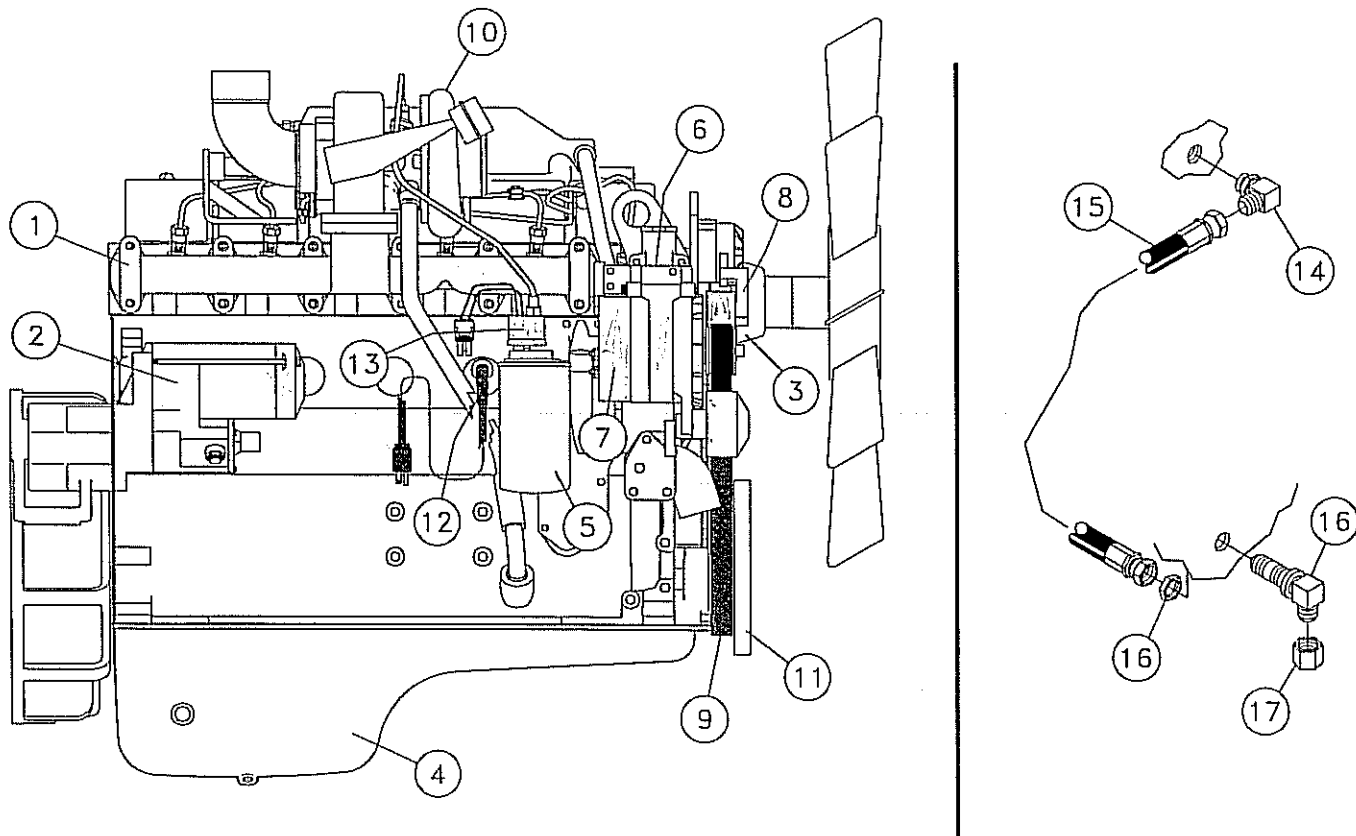
€
 107611 -001 25,68
 107612 -001 12,76.

REF. NO.	PART NO.	DESCRIPTION	QTY.	REF. NO.	PART NO.	DESCRIPTION	QTY.
2-1	1	● VALVE-CHECK	1	2-1	11	● DIPSTICK	1
2-1	2	● COUPLING	1	2-1	12	● TUBE-DIPSTICK	1
2-1	3	● BUSHING	1	2-1	13	● CAP-OIL FILL	1
2-1	4	SWITCH-TEMPERATURE (220F)	1	2-1	13	● FLYWHEEL	1
2-1	5	SENDER-8992016 WATER TEMP	1		103027-001	● BOLT-FLYWHEEL	8
2-1	6	● PUMP-FUEL INJECTION	1	2-1	14	● PULLEY-FAN	1
		● GASKET-INJECTION PUMP	1	2-1	15	BOLT-M10X1.5X120 DIN931 GR.8.8	4
		● INJECTOR-FUEL	6	2-1	16	● FAN SPACER - 1 1/2	1
2-1	7	● FILTER-SECONDARY FUEL	1		234218-029	● FAN SPACER-2"	1
2-1	8	● FILTER-PRIMARY FUEL W/SEPARATR	1	2-1	17	FAN-30" 12 BLADE PUSHER	1
2-1	9	PICKUP-MAGNETIC	1				
2-1	10	● PUMP-FUEL LIFT	1				
		● FUEL PUMP GASKET	1				

● ITEMS WARRANTED BY AUTHORIZED CUMMINS DEALER

ENGINE COMPONENTS

Figure 2-2

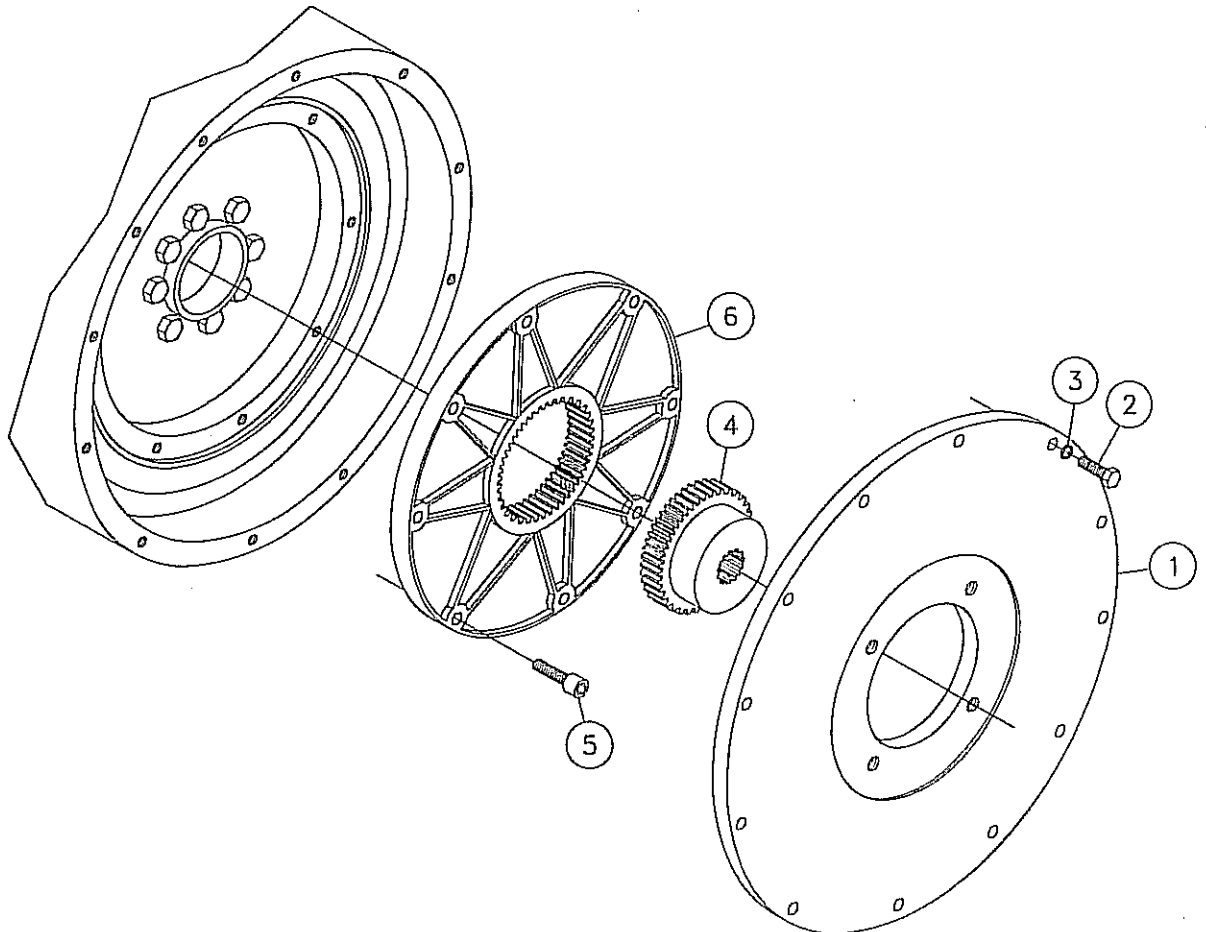


REF. NO.	PART NO.	DESCRIPTION	QTY.	REF. NO.	PART NO.	DESCRIPTION	QTY.		
2-2	1	224560-011	●EXHAUST MANIFOLD	1	220681-023	●ALTERNATOR MOUNTING BOLT-LOWER	2		
		220681-027	●BOLT	12	2-2	8	224559-019	●BELT TENSIONER	1
		234218-003	●GASKET-EXHAUST MANIFOLD	6	2-2	9	234217-013	●BELT-DRIVE	1
2-2	2	234217-009	●STARTER MOTOR	1	2-2	10	234217-015	●TURBO	1
		220681-025	●STARTER MOUNTING BOLT	2			220162-037	●GASKET	1
2-2	3	220162-009	●WATER PUMP	1	2-2	11	234217-007	●PULLEY-CRANKSHAFT	1
		220681-031	●SEAL-RECTANGULAR RING	1			103011-001	●BOLT-CRANKSHAFT PULLEY	4
2-2	4	224558-009	●OIL PUMP	1	2-2	12	104067-001	●HEATER-ENGINE	1
2-2	5	234217-011	●FILTER-OIL	1			104068-001	●CABLE-ENGINE HEATER	1
2-2	6	104073-001	●THERMOSTAT	1	2-2	13	98678-001	SWITCH-PRESSURE SIN POLE 9 PSI	1
		104074-001	●GASKET-THERMOSTAT	1	2-2	14	100351-001	ELBOW-10M JICX18-1.5MX90METRIC	1
2-2	7	220171-001	ALTERNATOR-MODIFIED 42 AMP	1	2-2	15	53842-063	HOSE-5/8X32 10FS JIC (100R2)	1
		5902-001	ALTERNATOR FAN	1	2-2	16	77735-001	FITTING-10M JIC BULKHEAD 90DEG	1
		220162-039	●SHEAVE-ALTERNATOR	1	2-2	17	78062-001	FITTING-10F JIC CAP NUT	1
		220681-019	●ALTERNATOR BRACKET-LOWER	1					
		220681-017	●ALTERNATOR BRACKET-UPPER	1					
	220681-021	●ALTERNATOR MOUNTING BOLT-UPPER	1						

● ITEMS WARRANTED BY AUTHORIZED CUMMINS DEALER

PUMP DRIVE ASSEMBLY

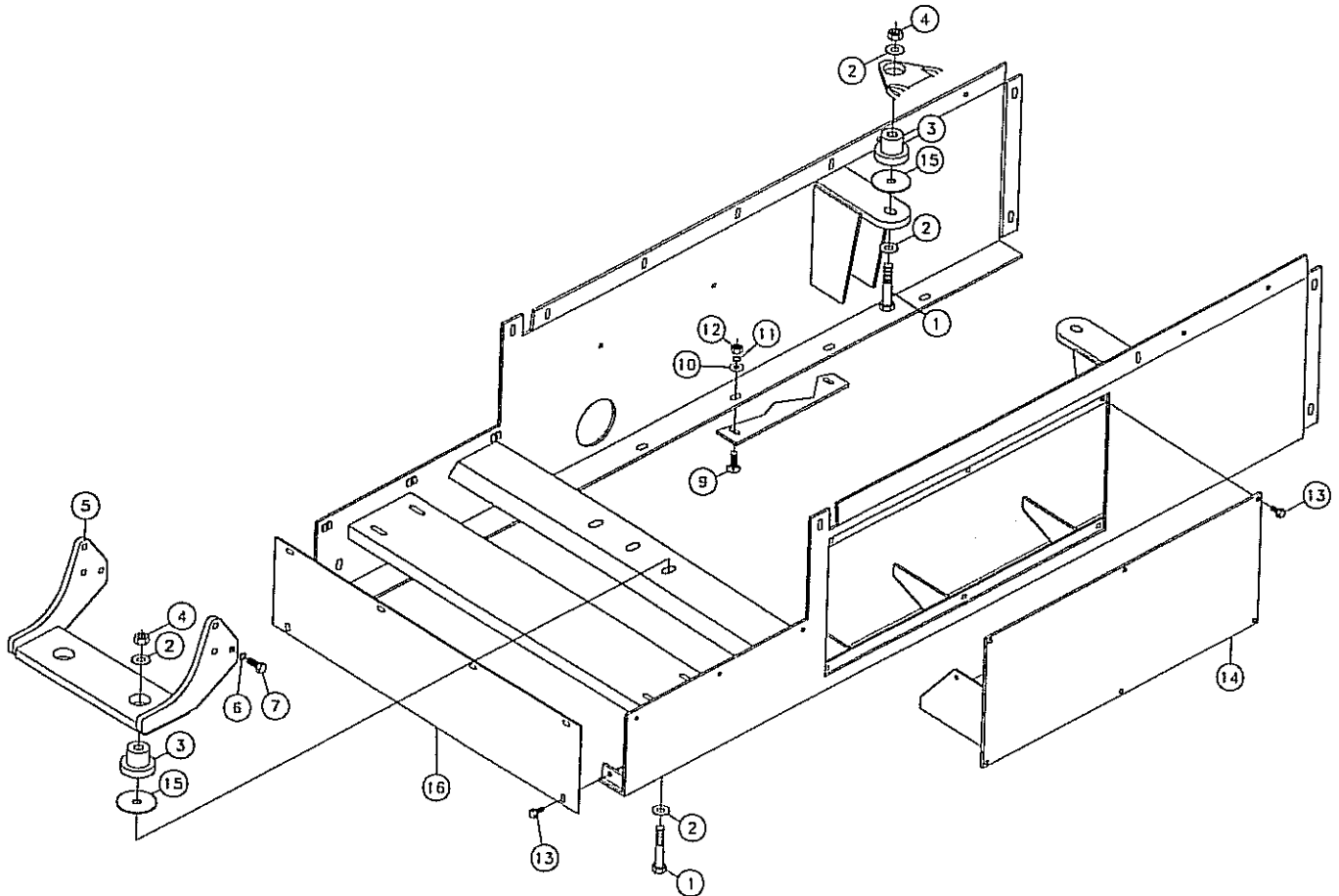
Figure 2-3



<u>REF. NO.</u>	<u>1</u>	<u>PART NO.</u>	<u>DESCRIPTION</u>	<u>QTY.</u>
2-3	1	220021-001	PLATE-PUMP MOUNT	1
2-3	2	77736-001	BOLT-10X35 DIN931	12
2-3	3	13625-001	WASHER-10 MM LOCK	12
2-3	4	224297-001	HUB-FLE65 SERIES Z3T SPLINE	1
2-3	5	4478-014	CAPSCREW-3/8-16X1 1/2 SOCHD G8	8
2-3	6	220075-001	FLANGE-65 FLE-PA 10*FLYWHEEL	1

ENGINE BASE ASSEMBLY

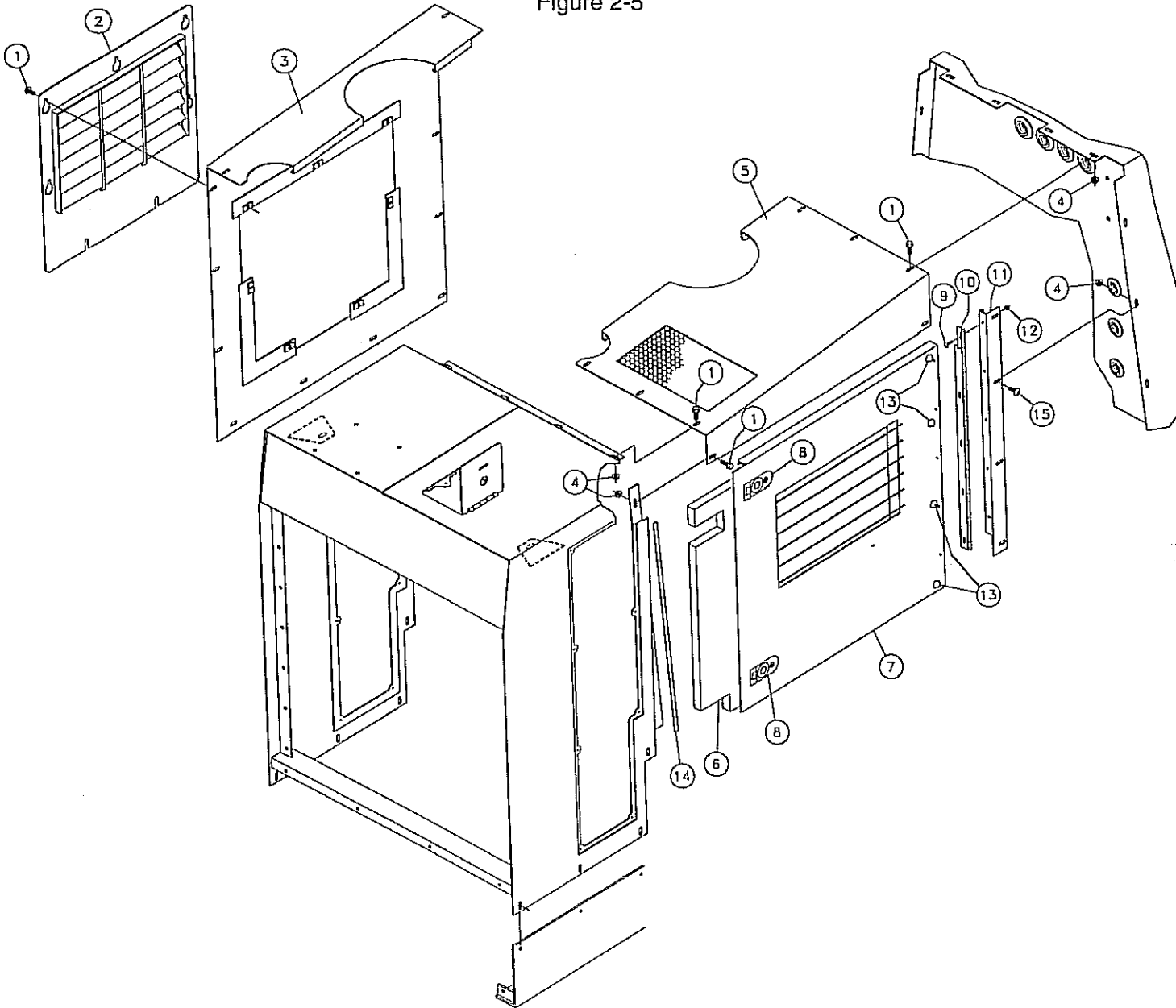
Figure 2-4



REF. NO.	PART NO.	DESCRIPTION	QTY.
2-4	1	366-034 BOLT-5/8-11X3 1/2 GR 5 HEX	4
2-4	2	485-015 WASHER-5/8 FLAT	8
2-4	3	220165-001 MOUNT-M500-50-NR RUBBER	4
2-4	4	430-001 NUT-5/8-11 NC SELF LOCKING	4
2-4	5	234238-001 MOUNT-FRONT ENGINE	1
2-4	6	64108-001 WASHER-M12 LOCK	6
2-4	7	24772-001 BOLT-12M X 35 GR. 8.8 HEX HEAD	6
2-4	8	234240-001 BASE-ENGINE	1
2-4	9	377-012 BOLT-1/2-13X1 1/4*GD#5CARRIAGE	14
2-4	10	485-011 WASHER-1/2 FLAT	14
2-4	11	480-011 WASHER-1/2 S/T LOCK	14
2-4	12	421-001 NUT-1/2 NC HEX	14
2-4	13	4475-006 BOLT-3/8-16X3/4 FLG WHIZ	12
2-4	14	238592-001 DOOR-BATTERY ACCESS	1
2-4	15	220203-001 SLUG-ENGINE MOUNT	4
2-4	16	238678-001 SHIELD-FRONT ANTI-RECIRCULATION	1

ENGINE SHIELDS ASSEMBLY

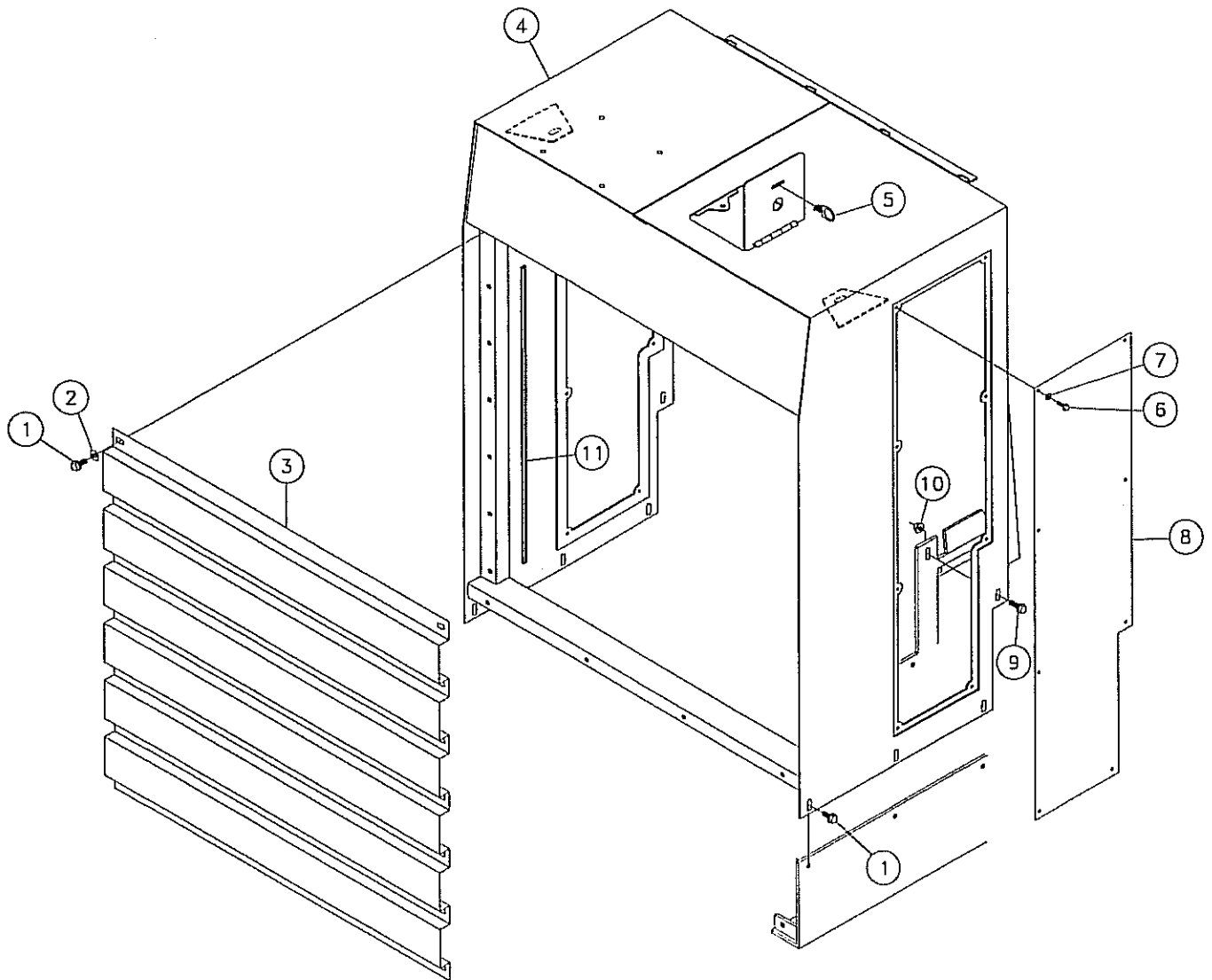
Figure 2-5



<u>REF. NO.</u>	<u>PART NO.</u>	<u>DESCRIPTION</u>	<u>QTY.</u>
2-5	1	4475-006 BOLT-3/8-16X3/4 FLG WHIZ	27
2-5	2	238686-001 DOOR-ACCESS	1
2-5	3	238682-001 SHIELD LEFT SIDE ENGINE	1
2-5	4	4536-001 NUT - 3/8-16 FLG. WHIZ LOCK	24
2-5	5	238679-001 SHIELD-TOP RIGHT ENGINE	1
2-5	6	238672-001 FOAM-DOOR	1
2-5	7	238666-001 SHIELD-RIGHT SIDE ENGINE	1
2-5	8	110479-001 LATCH-SEALED LEVER	2
2-5	9	373-005 BOLT-1/4-20X5/8 GR5 CARRIAGE	10
2-5	10	238673-001 HINGE-ENGINE DOOR	1
2-5	11	238674-001 BRACKET-ENGINE DOOR HINGE	1
2-5	12	405-001 NUT-1/4 NC FLG WHIZ LOCK	10
2-5	13	101522-001 BUMPER-RUBBER SELF ADHES.3/4OD	4
2-5	14	98436-001 SEAL-SELF ADHESIVE 1/16X1/2 (SPECIFY LENGTH)	1
2-5	15	375-006 BOLT-3/8-16X3/4 CARRIAGE GR. 5	4

RADIATOR SHIELD ASSEMBLY

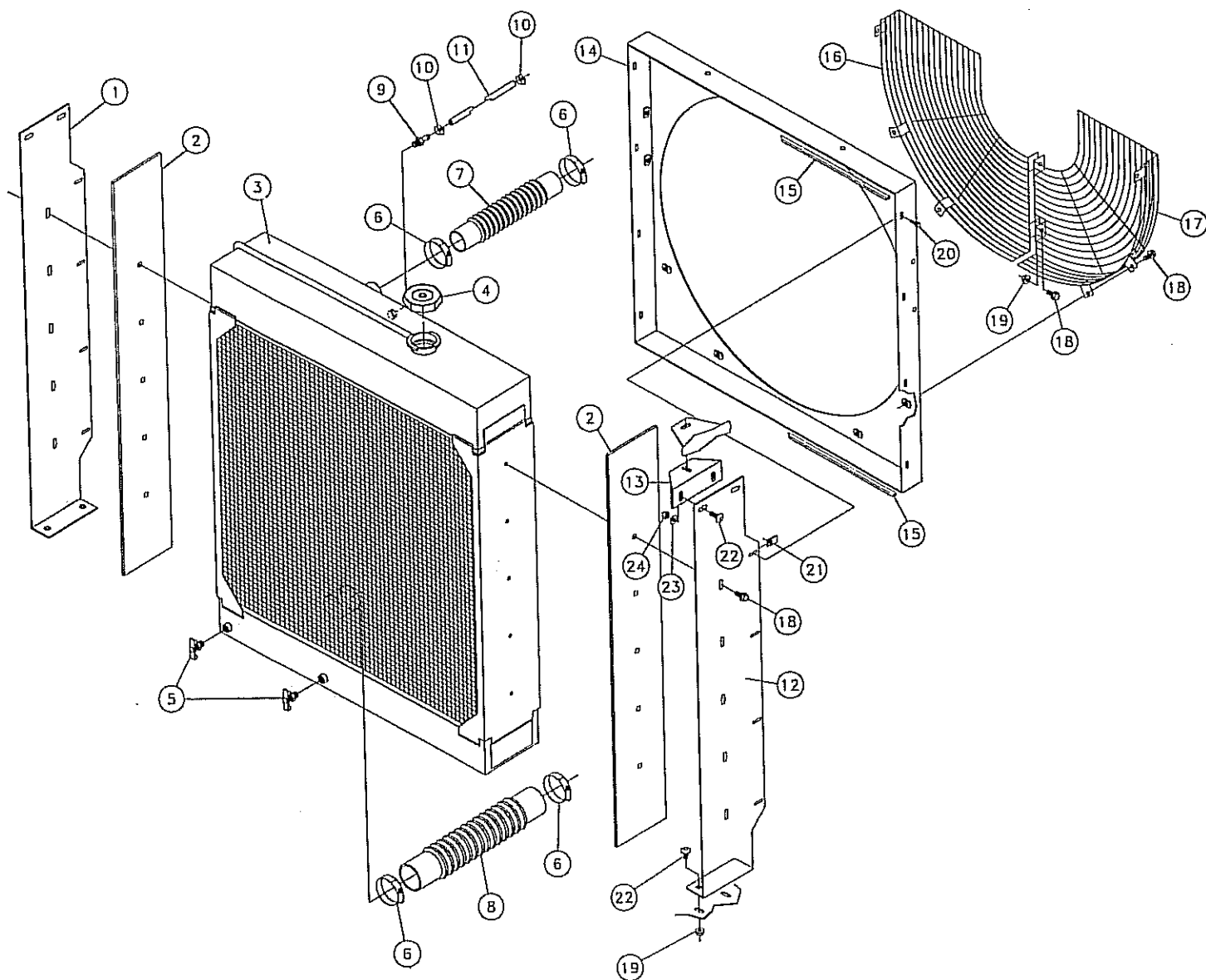
Figure 2-6



REF. NO.	PART NO.	DESCRIPTION	QTY.
2-6	1	4475-006 BOLT-3/8-16X3/4 FLG WHIZ	20
2-6	2	485-007 WASHER-3/8 FLAT	14
2-6	3	238502-001 SCREEN-RADIATOR	1
2-6	4	234246-001 WRAPPER-RADIATOR	1
2-6	5	86113-001 FASTENER-1/4 TURN	1
2-6	6	4473-006 BOLT-1/4-20X3/4 FLG WHIZ	16
2-6	7	480-003 WASHER-1/4 S/T LOCK	16
2-6	8	238677-001 SCREEN-AIR INLET	2
2-6	9	4475-010 BOLT-3/8-16X1 FLANGE WHIZ	2
2-6	10	4536-001 NUT - 3/8-16 FLG. WHIZ LOCK	2
2-6	11	97456-001 SEAL-BULB EDGE 1/8" STYLE (SPECIFY LENGTH)	A/R

RADIATOR/FLASHING ASSEMBLY

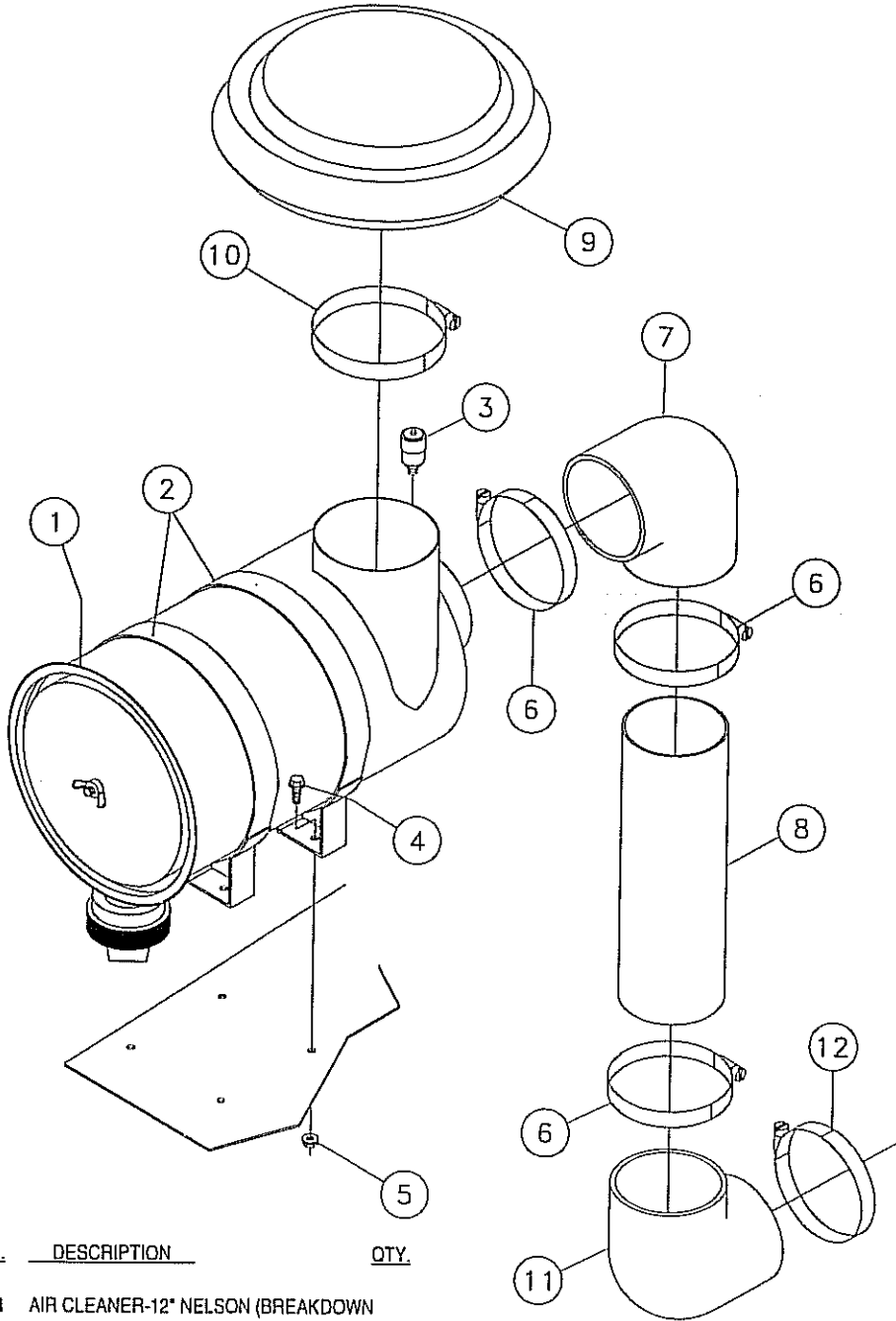
Figure 2-7



REF. NO.	PART NO.	DESCRIPTION	QTY.	REF. NO.	PART NO.	DESCRIPTION	QTY.
2-7	1	366-034 BOLT-5/8-11X3 1/2 GRADE#5 HEX	4	2-7	13	238665-001 RUBBER-UPPER RADIATOR SUPPORT	2
		238508-001 PLATE-RADIATOR MOUNTING	1	2-7	14	238570-001 SHROUD-FAN	1
2-7	2	238510-001 FOAM-RADIATOR	2	2-7	15	97456-001 SEAL-BULB EDGE 1/8" STYLE	A/R
2-7	3	238657-001 RADIATOR ASSEMBLY	1			(SPECIFY LENGTH)	
2-7	4	68125-001 CAP-RADIATOR TR102 (7 PSI)	1	2-7	16	238654-001 GUARD-LEFT FAN (LEFT)	1
2-7	5	225532-005 DRAIN COCK-1/4"	2	2-7	17	238653-001 GUARD-RIGHT FAN (RIGHT)	1
2-7	6	1580-011 HOSE CLAMP - 2"	4	2-7	18	4475-006 BOLT-3/8-16X3/4 FLG WHIZ	18
2-7	7	244769-001 HOSE-1 3/4X23 1/2 RADIATOR (UPPER)	1	2-7	19	4536-001 NUT - 3/8-16 FLG. WHIZ LOCK	6
2-7	8	224848-001 HOSE-2 1/4ID X17" COOLANT (LOWER)	1	2-7	20	4473-006 BOLT-1/4-20X3/4 FLG WHIZ	8
2-7	9	102118-001 FITTING-1/4NPT X 3/8 HOSE BARB	1	2-7	21	18992-001 U-CLIP-1/4-20 SP/3/4 THROAT	8
2-7	10	1580-001 HOSE CLAMP - 3/8"	2	2-7	22	375-006 BOLT-3/8-16X3/4 CARRIAGE GR. 5	10
2-7	11	57706-001 HOSE-3/8" 200PSI 1 PLY BLACK	A/R	2-7	23	485-007 WASHER-3/8 FLAT	6
		(SPECIFY LENGTH)		2-7	24	416-001 NUT-3/8 NC SRTL	6
2-7	12	238509-001 PLATE-RADIATOR MOUNTING	1				

AIR CLEANER ASSEMBLY

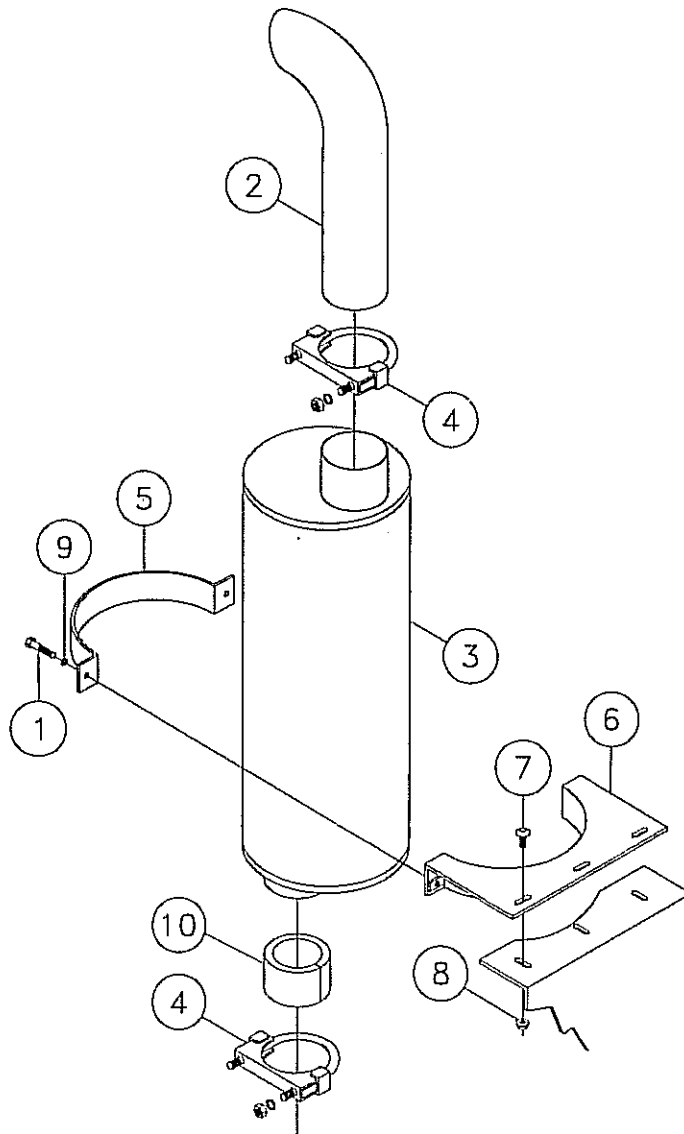
Figure 2-8



<u>REF. NO.</u>	<u>PART NO.</u>	<u>DESCRIPTION</u>	<u>QTY.</u>
2-8	1	601644-001 AIR CLEANER-12" NELSON (BREAKDOWN FIG. 2-11) (DOES NOT INC. CLAMPS)	1
2-8	2	2157-001 BAND - AAH00-0349	2
2-8	3	113557-001 INDICATOR-RAXOO-2101	1
2-8	4	4475-006 BOLT-3/8-16X3/4 FLG WHIZ	4
2-8	5	4536-001 NUT - 3/8-16 FLG. WHIZ LOCK	4
2-8	6	123618-001 CLAMP-SPRING LOADED HOSE 5.25	3
2-8	7	244764-001 ELBOW-5" 90 DEG RUBBER	1
2-8	8	244763-001 TUBE-AIR INTAKE	1
2-8	9	140176-001 CAP-AIR CLEANER	1
2-8	10	140176-003 CLAMP	1
2-8	11	84096-001 HOSE-5X4 90DEG. ELBOW	1
2-8	12	123617-001 CLAMP-SPRING LOADED HOSE	1

MUFFLER ASSEMBLY

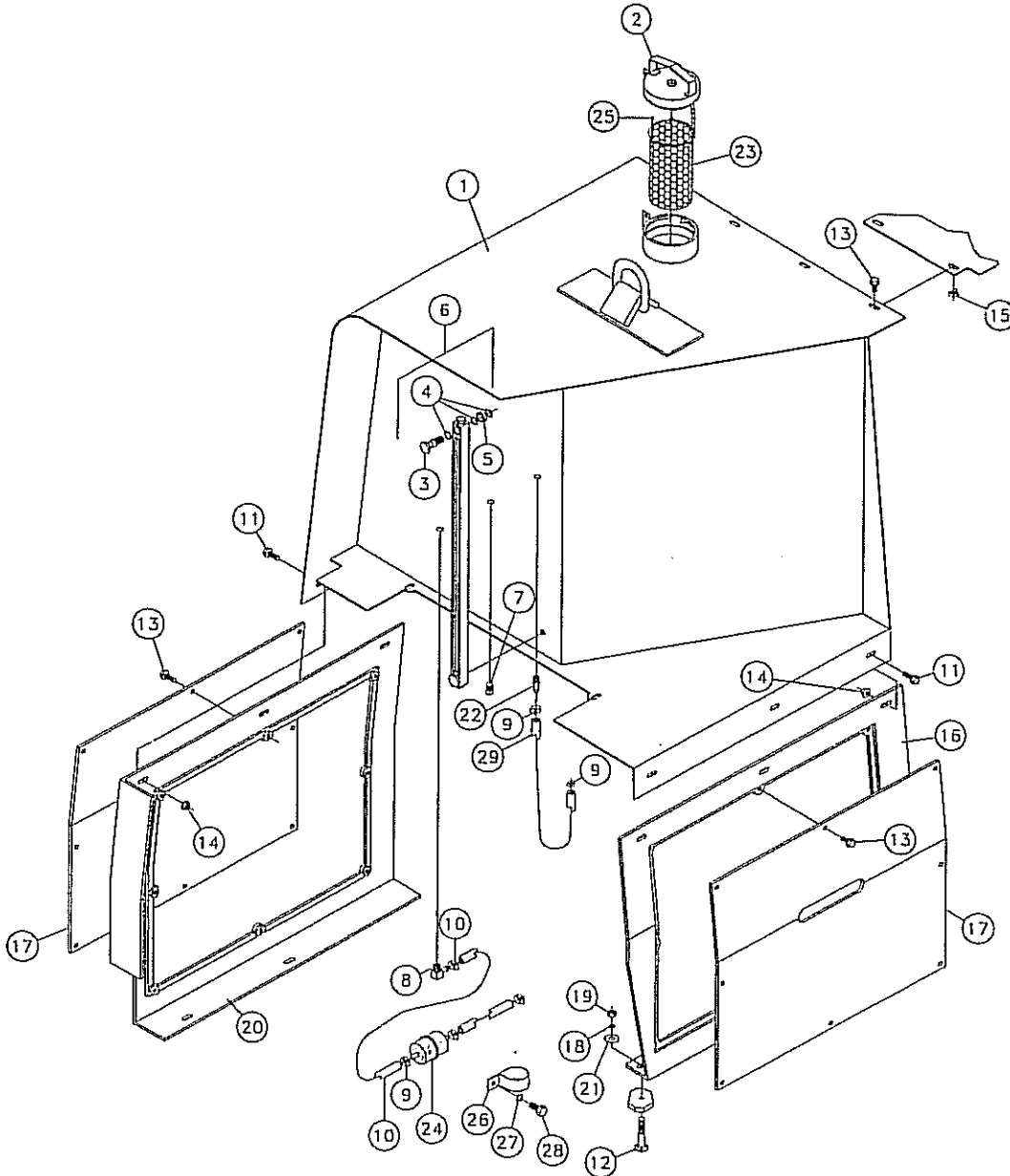
Figure 2-9



REF. NO.	PART NO.	DESCRIPTION	QTY.
2-9	1	354-020 3/8-16X2" GRADE#5 HEX BOLT	2
2-9	2	244768-001 STACK-EXHAUST	1
2-9	3	238744-001 MUFFLER-VERTICAL EXHAUST	1
2-9	4	2609-017 CLAMP-MUFFLER 4"	2
2-9	5	238533-001 STRAP-MUFFLER SUPPORT	1
2-9	6	238530-001 BRACKET-MUFFLER SUPPORT	1
2-9	7	375-010 BOLT-3/8"-16X1"GD#5 CARRIAGE	3
2-9	8	4536-001 NUT - 3/8-16 FLG. WHIZ LOCK	3
2-9	9	480-007 WASHER-3/8 S/T LOCK	2
2-9	10	238523-001 SPACER-MUFFLER	1

FUEL TANK ASSEMBLY

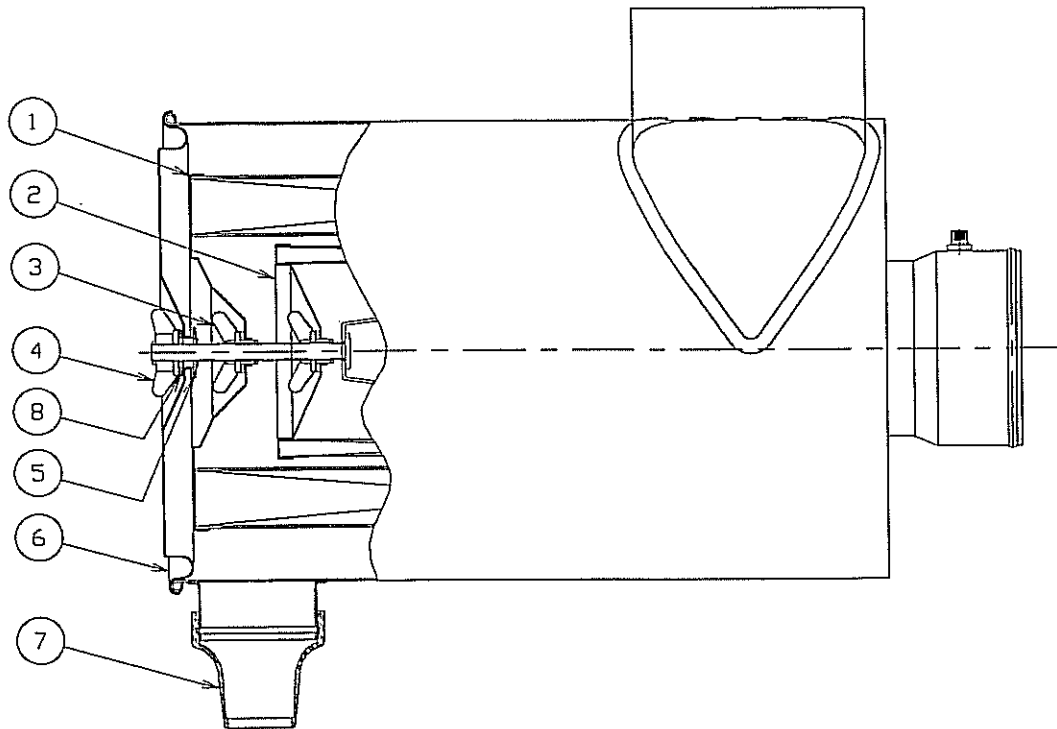
Figure 2-10



REF. NO.	PART NO.	DESCRIPTION	QTY.	REF. NO.	PART NO.	DESCRIPTION	QTY.
2-10	1	227841-001 TANK-FUEL	1	2-10	16	227859-001 MOUNT-ENGINE BAY DOOR	1
2-10	2	224985-001 CAP-VENTED FUEL TANK	1	2-10	17	227759-001 LID-ENGINE BAY	2
2-10	3	234349-003 BOLT-12M (SIGHT GAUGE)	2	2-10	18	480-011 WASHER-1/2 S/T LOCK	4
2-10	4	227757-003 O-RING	6	2-10	19	423-001 NUT-1/2 NC SLTL UTB	4
2-10	5	227757-005 SPACER	2	2-10	20	227861-001 EXTENSION-ENGINE BOX	1
2-10	6	234349-001 GAUGE-23" SIGHT (INC. REF. 3-5)	1	2-10	21	485-011 WASHER-1/2 FLAT	4
2-10	7	732-007 1/2" PIPE PLUG BLACK STEEL	1	2-10	22	78171-001 FITTING-1/8MNPTX5/16BARB STR.	1
2-10	8	11384-001 FITTING-1557 WTHR-HD	1	2-10	23	99998-001 STRAINER-6" .030 STEEL	1
2-10	9	1578-001 HOSE CLAMP - 1/4"	4	2-10	24	102995-001 STRAINER	1
2-10	10	620-029 HOSE-5/16 FUEL LINE-50"	1	2-10	25	66695-001 SCREW-MACH. 632X3/8	3
2-10	11	4475-010 BOLT-3/8-16X1 FLANGE WHIZ	6	2-10	26	230965-001 CLAMP-1 3/4" W/17/32 HOLE	1
2-10	12	377-014 BOLT-1/2-13X1 1/2"GD#5CARRIAGE	4	2-10	27	64108-001 WASHER-M12 LOCK	1
2-10	13	4475-006 BOLT-3/8-16X3/4 FLG WHIZ	24	2-10	28	64110-001 BOLT-M12X25 METRIC	1
2-10	14	4536-001 NUT - 3/8-16 FLG. WHIZ LOCK	6	2-10	29	620-105 FUEL LINE HOSE 5/16 X 62.00	1
2-10	15	415-001 NUT-3/8 NC HEX NUT CLIP	6				

AIR CLEANER COMPONENTS

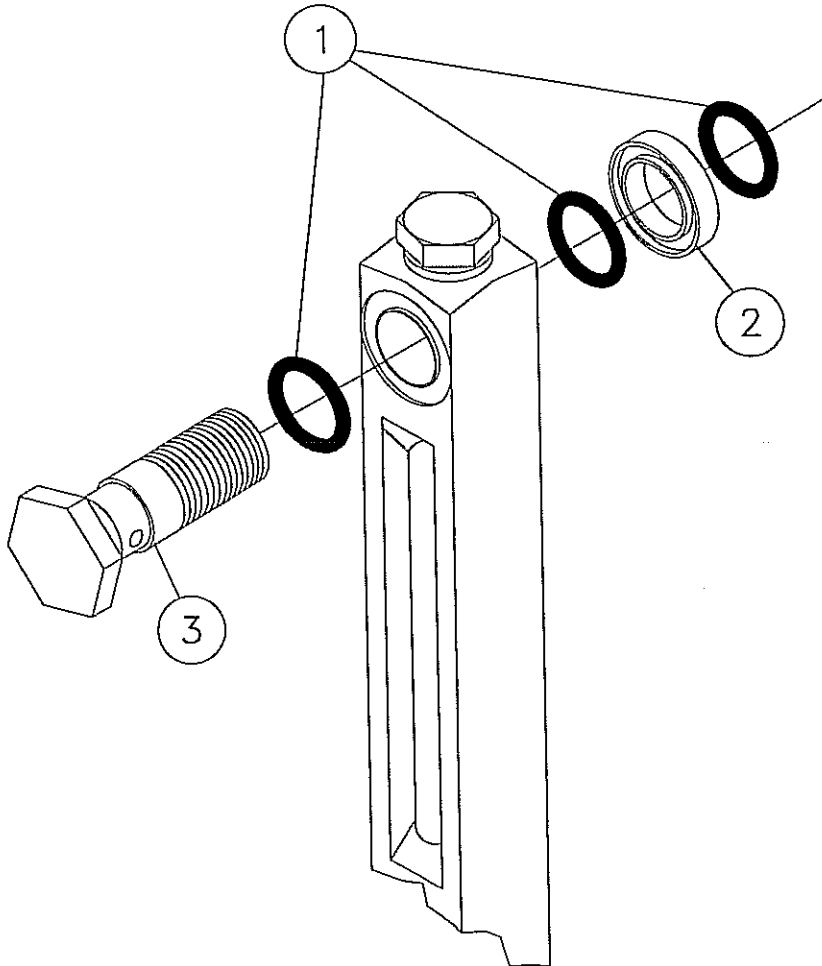
Figure 2-11



<u>REF. NO.</u>	<u>PART NO.</u>	<u>DESCRIPTION</u>	<u>QTY.</u>
2-11	1	601644-003 PRIMARY ELEMENT	1
2-11	2	601644-005 SAFETY ELEMENT	1
2-11	3	601644-007 WING NUT	2
2-11	4	601644-009 WING NUT	1
2-11	5	601644-011 "E" RING	1
2-11	6	601644-013 COVER ASSEMBLY (INC. REF. 4, 5 & 8)	1
2-11	7	601644-015 DUST EJECTOR	1
2-11	8	601644-017 WASHER	1
	601644-001	AIR CLEANER (COMPLETE) (INC. REF. 1-8)	

SIGHT GAUGE COMPONENTS

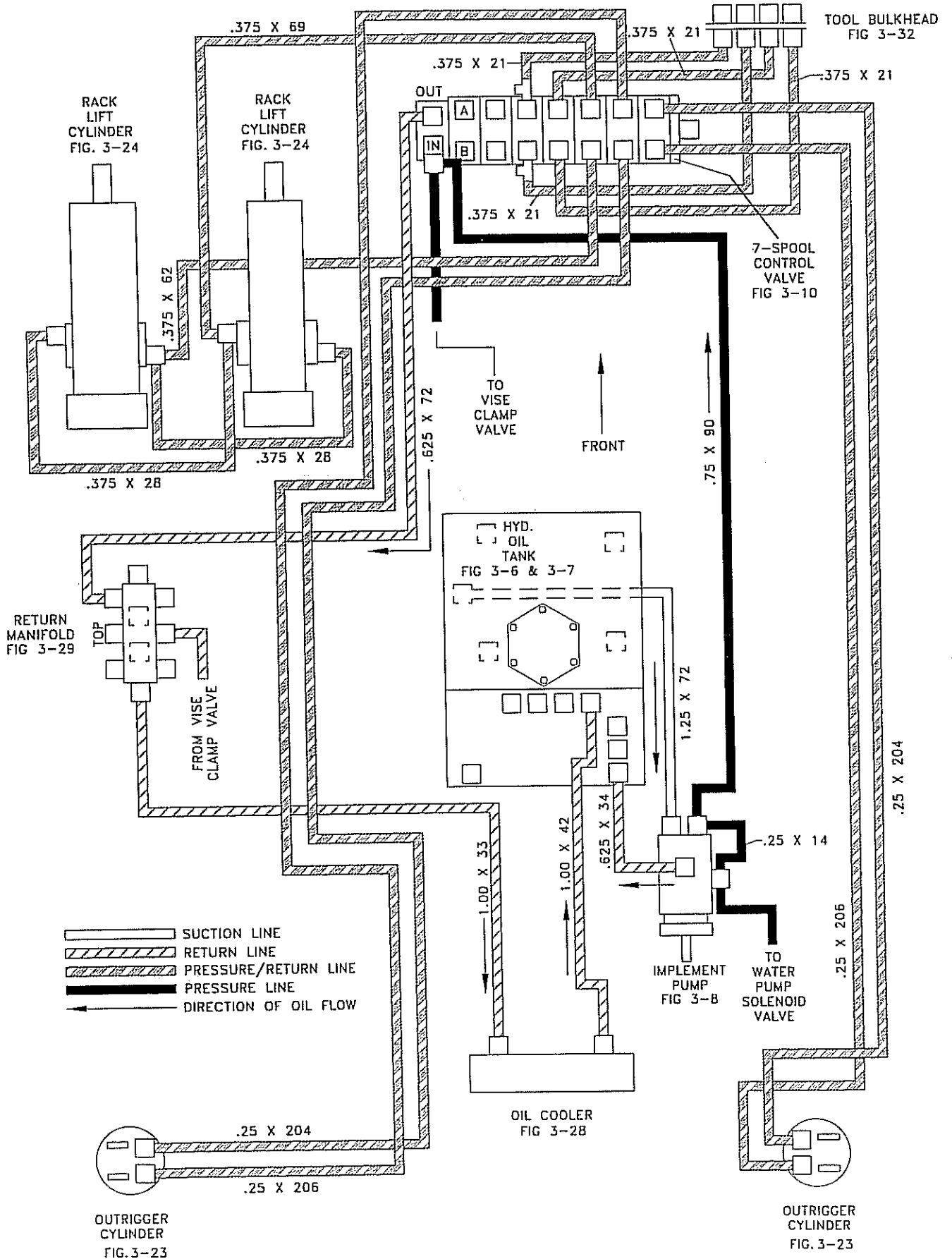
Figure 2-12



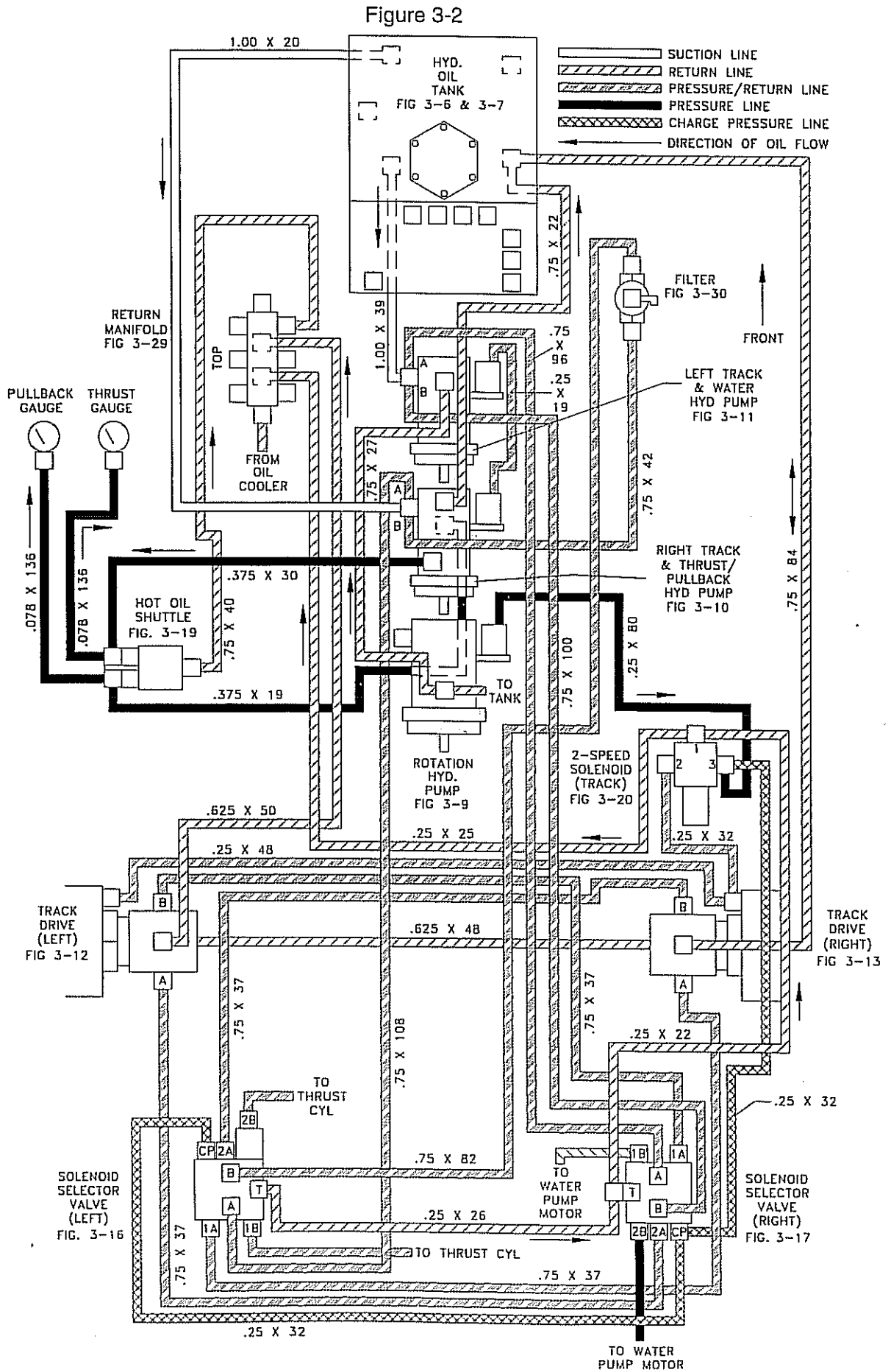
<u>REF. NO.</u>	<u>PART NO.</u>	<u>DESCRIPTION</u>	<u>QTY.</u>
2-12	1	227757-003 O-RING	6
2-12	2	227757-005 SPACER	2
2-12	3	234349-003 BOLT-12M (SIGHT GAUGE)	2
	234349-001	GAUGE-23" SIGHT (INC. GAUGE & 1-3)	

HYDRAULIC COMPONENTS LOCATION DIAGRAM - IMPLEMENT SYSTEM

Figure 3-1

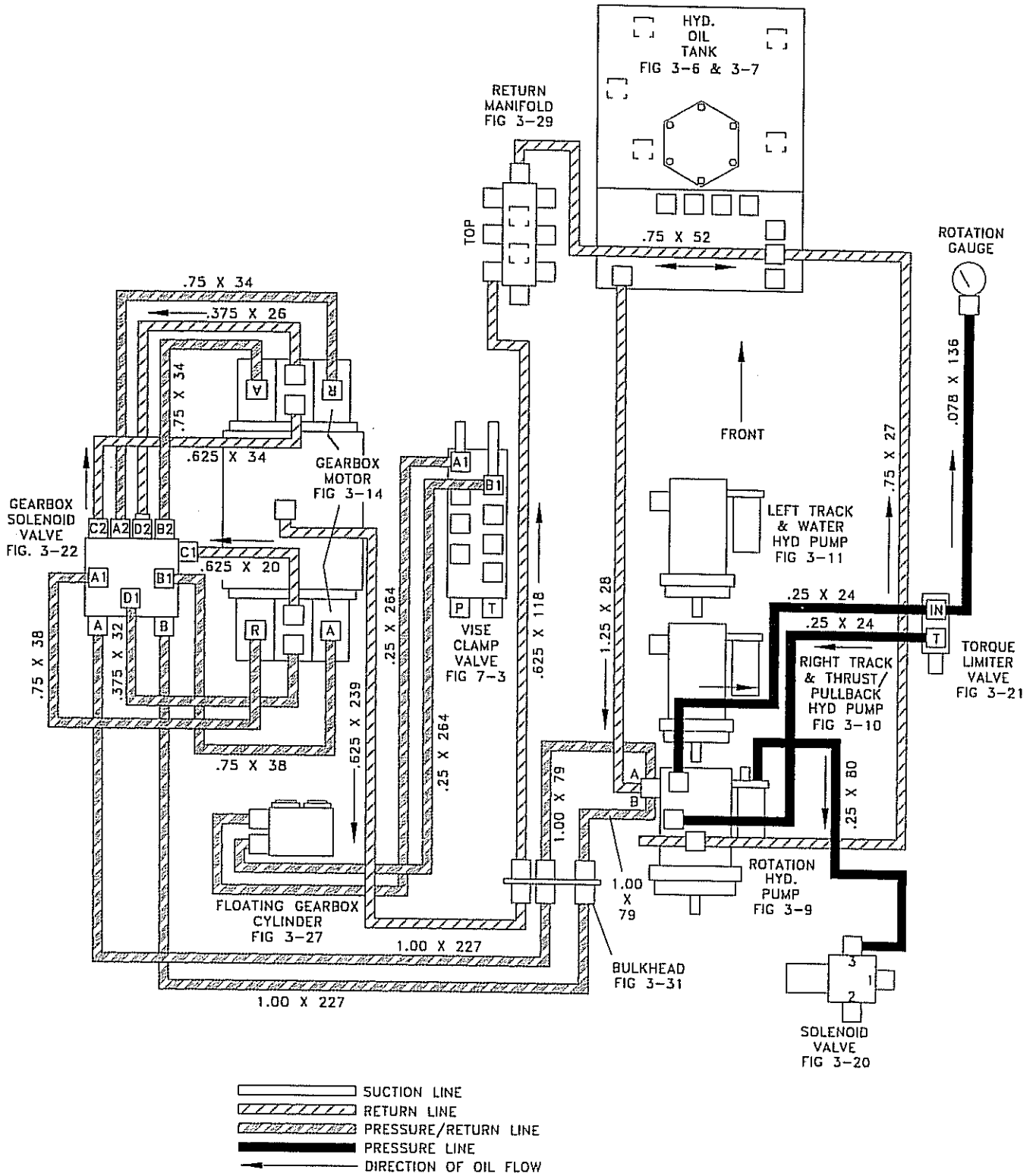


HYDRAULIC COMPONENTS LOCATION DIAGRAM - GROUND DRIVE SYSTEM



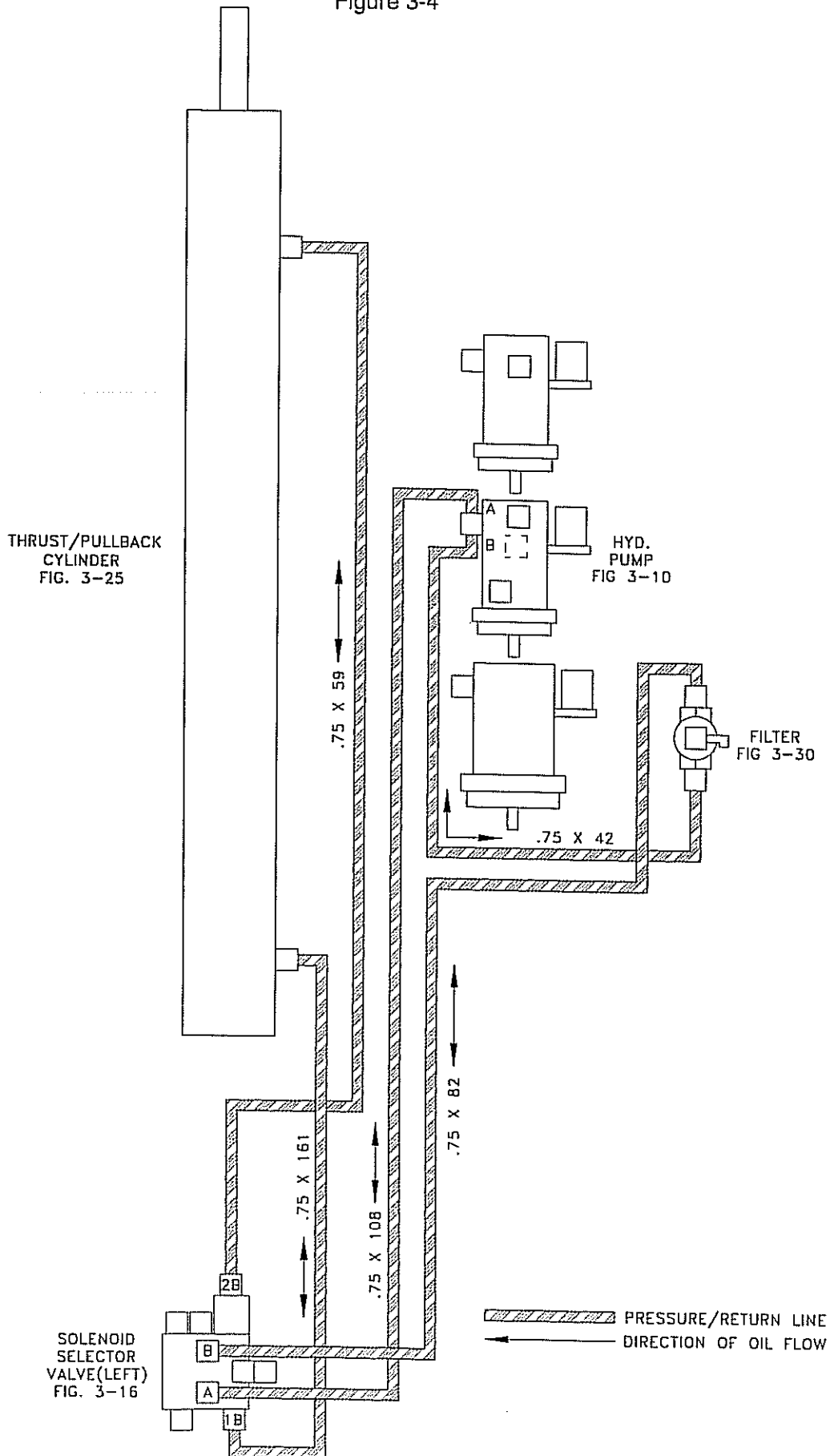
HYDRAULIC COMPONENTS LOCATION DIAGRAM - ROTATION SYSTEM

Figure 3-3



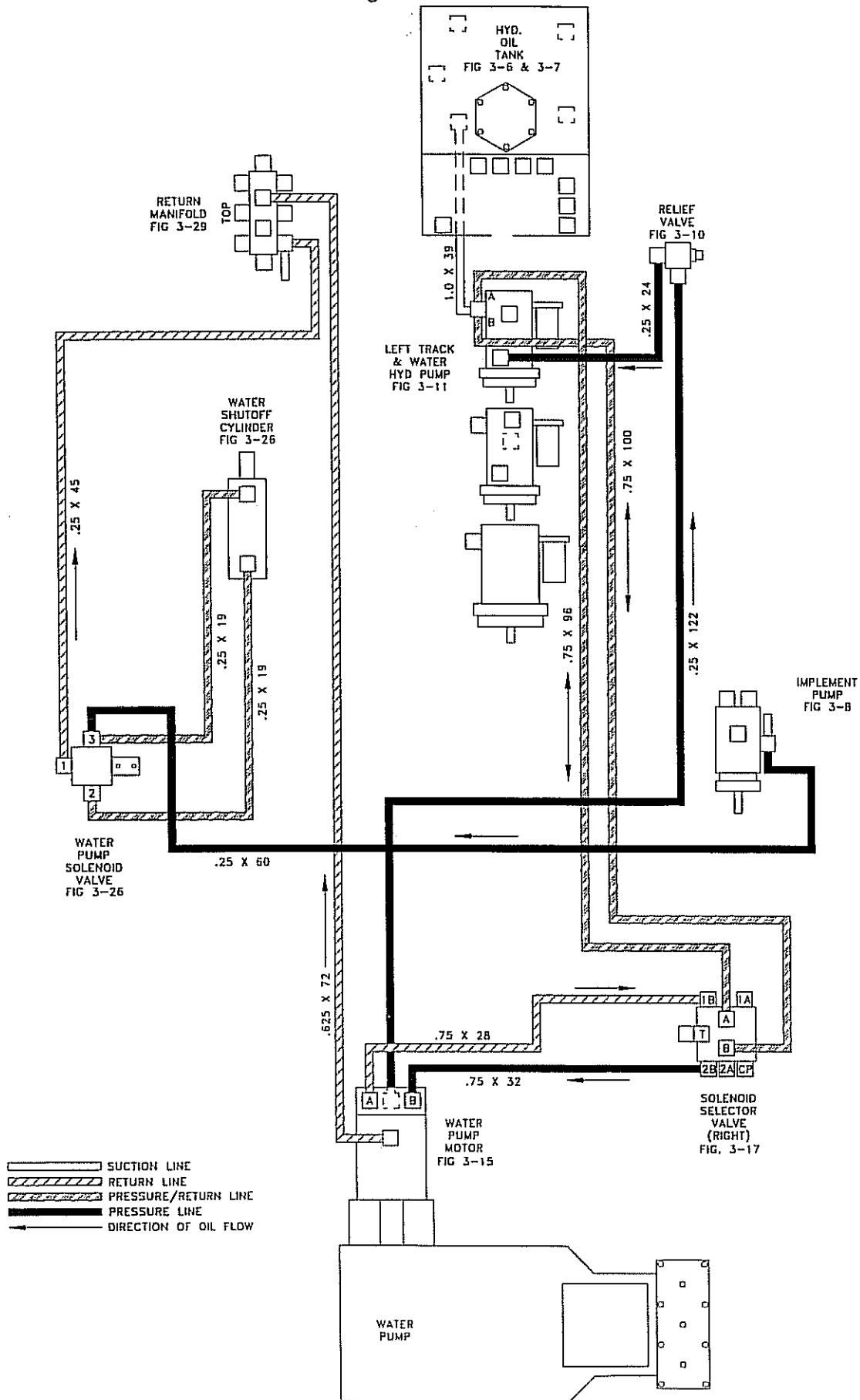
HYDRAULIC COMPONENTS LOCATION DIAGRAM - THRUST/PULLBACK SYSTEM

Figure 3-4



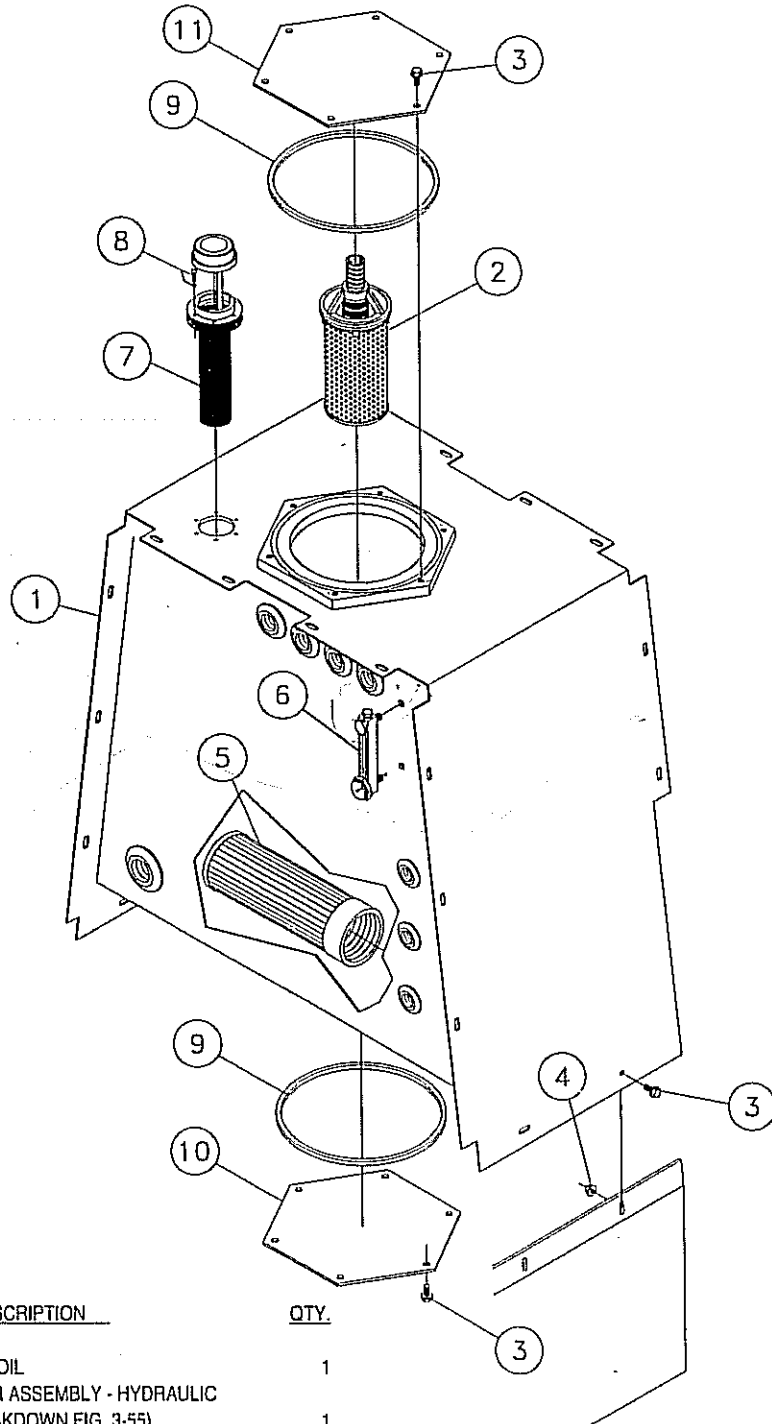
HYDRAULIC COMPONENTS LOCATION DIAGRAM - WATER PUMP SYSTEM

Figure 3-5



OIL TANK ASSEMBLY

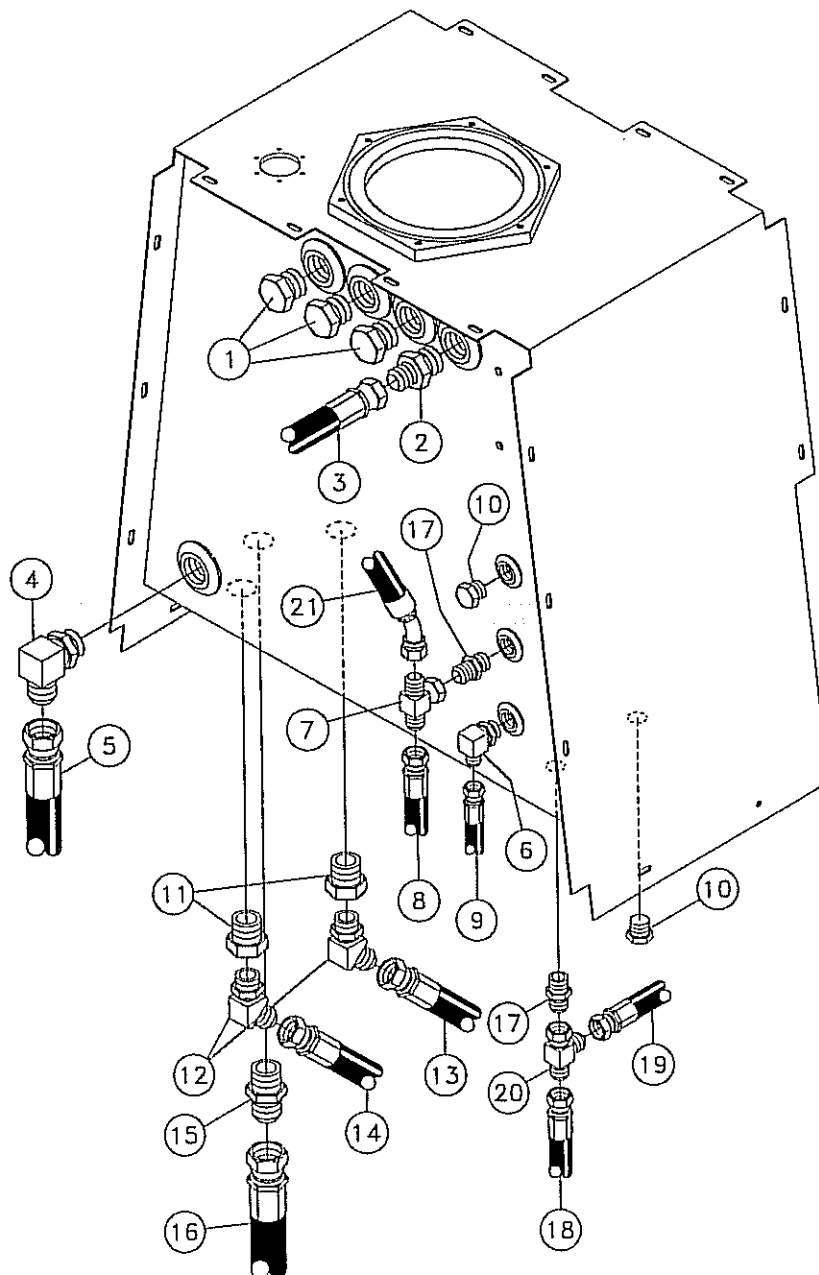
Figure 3-6



REF. NO.	PART NO.	DESCRIPTION	QTY.
3-6	1	238534-001 TANK-OIL	1
3-6	2	89671-001 FILTER ASSEMBLY - HYDRAULIC (BREAKDOWN FIG. 3-55)	1
	89671-003	ELEMENT-FILTER	2
3-6	3	4475-006 BOLT-3/8-16X3/4 FLG WHIZ	16
3-6	4	4536-001 NUT - 3/8-16 FLG. WHIZ LOCK	4
3-6	5	98681-001 FILTER-TANK 3 NPT OUTLET PORT	1
3-6	6	81590-001 GAUGE-SIGHT	1
3-6	7	900963-001 FILLER CAP	1
3-6	8	1802-006 BOLT-10-24 X 3/4 RND HD STOVE	6
	480-001	WASHER-3/16 S/T LOCK	6
3-6	9	78544-001 O-RING AS-378 B46	2
3-6	10	96291-001 PLATE-CLEANOUT PORT	1
3-6	11	225358-001 LID-FILTER	1

OIL TANK PLUMBING ASSEMBLY

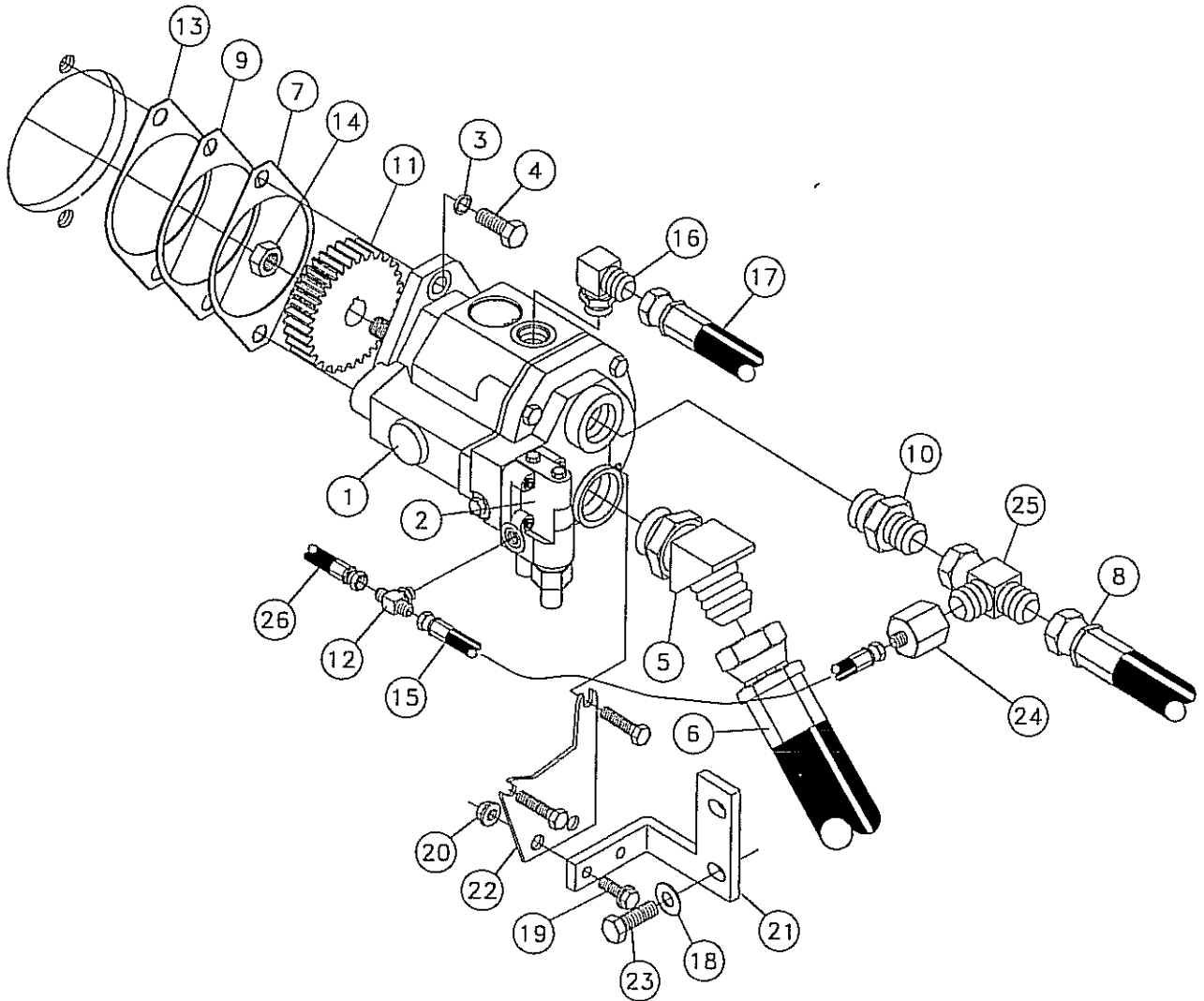
Figure 3-7



REF. NO.	PART NO.	DESCRIPTION	QTY.	REF. NO.	PART NO.	DESCRIPTION	QTY.
3-7	1	81704-001 FITTING-20M PLUG	3	3-7	12	53835-001 #16M O-RING-#16M JIC 45 DEG.	2
3-7	2	85657-001 FITTING-20M X 16M JIC STR.	1	3-7	13	53846-001 HOSE-1X20 16FS JIC (100R4)	1
3-7	3	53846-065 HOSE-1X42 16FS JIC (100R4)	1	3-7	14	53846-209 HOSE-1X39 16FSJIC/16FSJIC-90	1
3-7	4	77137-001 FITTING-20MX20M JIC 90 DEG.	1	3-7	15	70006-001 FITTING-20M X 20 M JIC STR.	1
3-7	5	65560-085 HOSE-1 1/4X28 20FS JIC 200 PSI	1	3-7	16	65560-023 HOSE-1 1/4X72 20FS JIC (100R4)	1
3-7	6	59409-001 10M JICX12M ADJ. 90 DEG. ELBOW	1	3-7	17	227997-001 VALVE-CHECK (65 PSI CRACK)	2
3-7	7	61456-001 12JIC BCH SW NUT TEE	1	3-7	18	53845-007 HOSE-3/4X84 12FS JIC (100R4)	1
3-7	8	53845-677 HOSE-3/4X27 12FSJIC-12FSJIC 45	1	3-7	19	53845-001 HOSE-3/4X22 12FS JIC (100R4)	1
3-7	9	53842-123 HOSE-5/8X34 10FS JIC 1500 PSI	1	3-7	20	59417-001 12 JIC SW RUN TEE	1
3-7	10	67570-001 PLUG- 12M	2	3-7	21	53845-683 HOSE-3/4X52 12FSJIC-12FSJIC 45	1
3-7	11	79498-001 FITTING-20MX16F ST. REDUCER	2				

IMPLEMENT PUMP ASSEMBLY

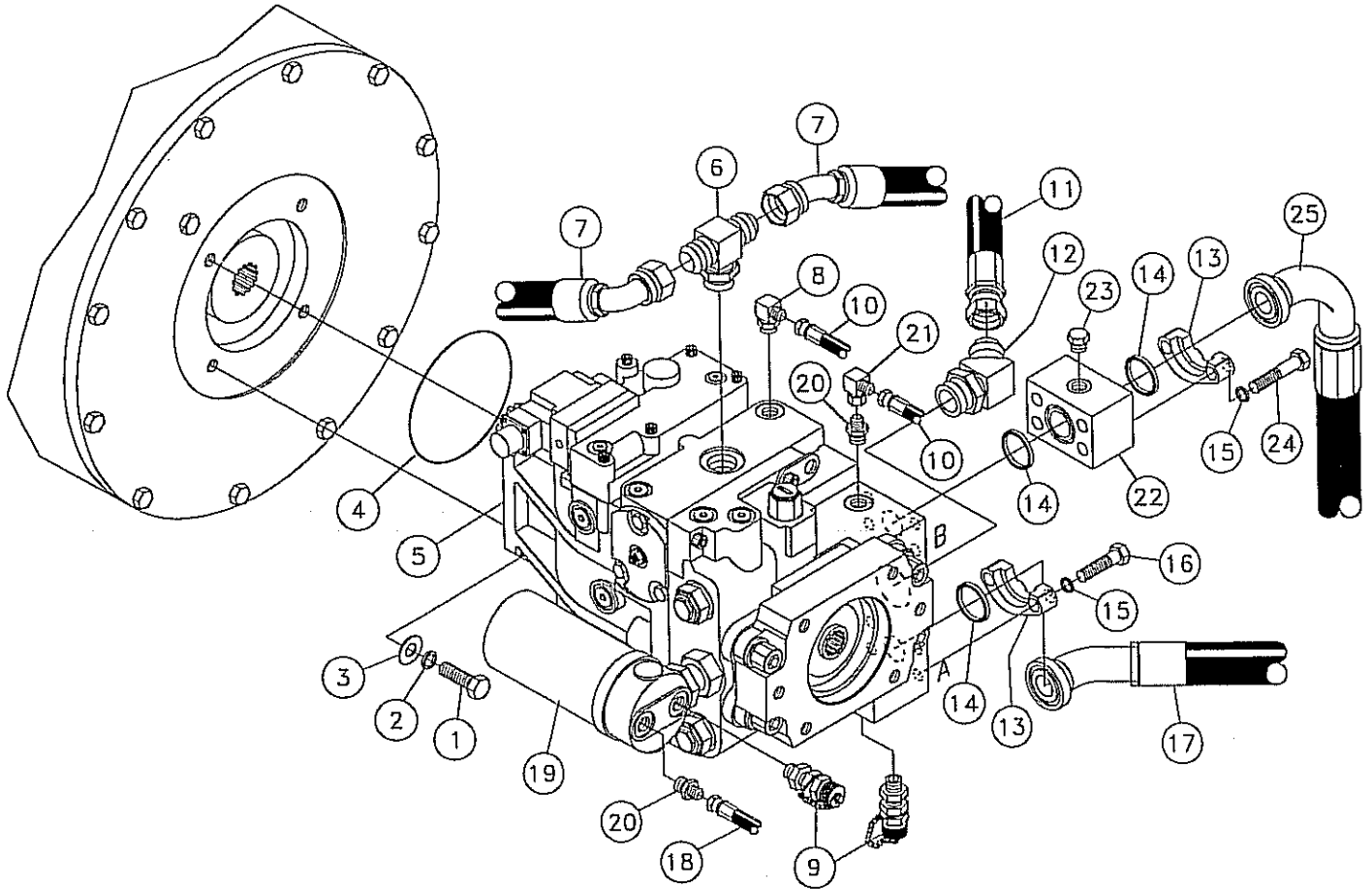
Figure 3-8



REF. NO.	PART NO.	DESCRIPTION	QTY.	REF. NO.	PART NO.	DESCRIPTION	QTY.
3-8	1	227873-001 PUMP-2.77 CID PISTON	1	3-8	14	103030-001 NUT	1
		113253-003 SEAL KIT-PUMP/COMPENSATOR	1	3-8	15	53843-197 HOSE-1/4X14 4FS JIC 3000 PSI	1
3-8	2	98687-005 COMPENSATOR ASSEMBLY	1	3-8	16	53829-001 #10M O-RING-#10M JIC 90 DEG.	1
3-8	3	64108-001 WASHER-M12 LOCK	2	3-8	17	53842-123 HOSE-5/8X34 10FS JIC 1500 PSI	1
3-8	4	24772-001 BOLT-12M X 35 GR. 8.8 HEX HEAD	2	3-8	18	485-009 WASHER-7/16 FLAT	2
3-8	5	81703-001 FITTING-20MX20M JIC 45 DEG.EL.	1	3-8	19	4475-010 BOLT-3/8-16X1 FLANGE WHIZ	2
3-8	6	65560-023 HOSE-1 1/4X72 20FS JIC (100R4)	1	3-8	20	4536-001 NUT - 3/8-16 FLG. WHIZ LOCK	2
3-8	7	103032-001 GASKET	1	3-8	21	238514-001 BRACKET-PUMP SUPPORT	1
3-8	8	53845-687 HOSE-3/4X90 12FSJIC-12FSJIC 45	1	3-8	22	235805-001 PLATE-PUMP BRACKET	1
3-8	9	103029-001 SPACER-.060	1	3-8	23	100478-001 BOLT-M12X1.75X30 DIN933 GR.8.8	2
3-8	10	70008-001 FITTING-16M X 12M JIC STR.	1	3-8	24	81345-001 FITTING-12F JICX4M JIC STR.	1
3-8	11	103031-001 GEAR	1	3-8	25	59417-001 12 JIC SW RUN TEE	1
3-8	12	81343-001 4M (BCH)X4M JICX4M JIC TEE	1	3-8	26	53843-481 HOSE-1/4X60 4FS JIC 3000 PSI	1
3-8	13	103032-001 GASKET	2				

HYDRAULIC PUMP ASSEMBLY (ROTATION)

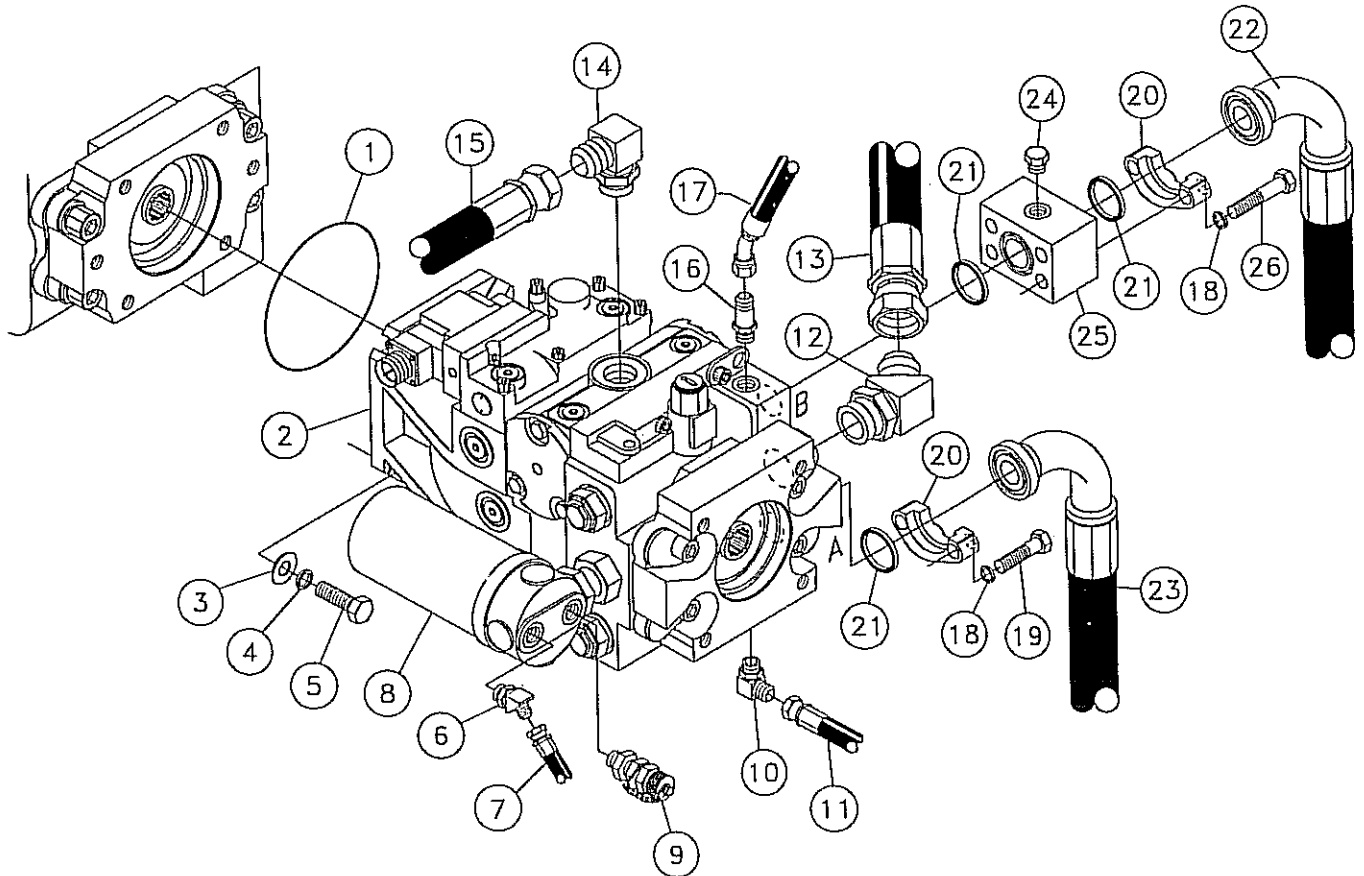
Figure 3-9



REF. NO.	PART NO.	DESCRIPTION	QTY.	REF. NO.	PART NO.	DESCRIPTION	QTY.
3-9	1	75381-014 BOLT-1/2-UNCX1 1/2 GR.8 HEX	4	3-9	13	67745-001 SPLIT FLANGE HALF CODE 62/16	4
3-9	2	480-011 WASHER-1/2 S/T LOCK	4	3-9	14	72895-001 O RING-SO. #16 FLANGE	3
3-9	3	86510-001 WASHER-1/2 FLT HARDENED	4	3-9	15	480-009 WASHER-7/16 S/T LOCK	8
3-9	4	85642-163 O-RING	1	3-9	16	357-016 7/16-14X1 3/4"GRADE#5 HEX BOLT	4
3-9	5	224411-001 PUMP-90 SERIES 100CC 23T EDC (BREAKDOWN FIG. 3-33)	1	3-9	17	53846-431 HOSE 1X79 16FSJIC16/62/60D6000	1
3-9	6	70032-001 12M BCH X 12M JICX12M JIC TEE	1	3-9	18	53843-237 HOSE-1/4XB0 4FS JIC 3000 PSI	1
3-9	7	53845-677 HOSE-3/4X27 12FSJIC-12FSJIC 45	2	3-9	19	81902-001 FILTER-OIL	1
3-9	8	600118-001 FITTING-6MORINGX4MJIC90PARKER	2	3-9	20	57968-001 6M O-RING 4M JIC STRAIGHT	2
3-9	9	72056-001 COUPLER-DIAG. TCM-20 9/16NF	2	3-9	21	53658-001 FITTING-4M JICX4 FS JIC 90 DEG	1
3-9	10	68210-001 HOSE-1/4X24 4FS JIC (M2T)	2	3-9	22	234780-001 BLOCK-CODE 62	1
3-9	11	65560-085 HOSE-1 1/4X28 20FS JIC 200 PSI	1	3-9	23	83635-001 PLUG-#6 JIC MALE	1
3-9	12	81703-001 FITTING-20MX20M JIC 45 DEG.EL.	1	3-9	24	357-040 BOLT-7/16-14X4 GR5 HHCS PLATED	4
				3-9	25	53846-487 HOSE-1X79 16FSST 16/62/90 6000	1

HYDRAULIC PUMP ASSEMBLY (RIGHT TRACK, THRUST/PULLBACK)

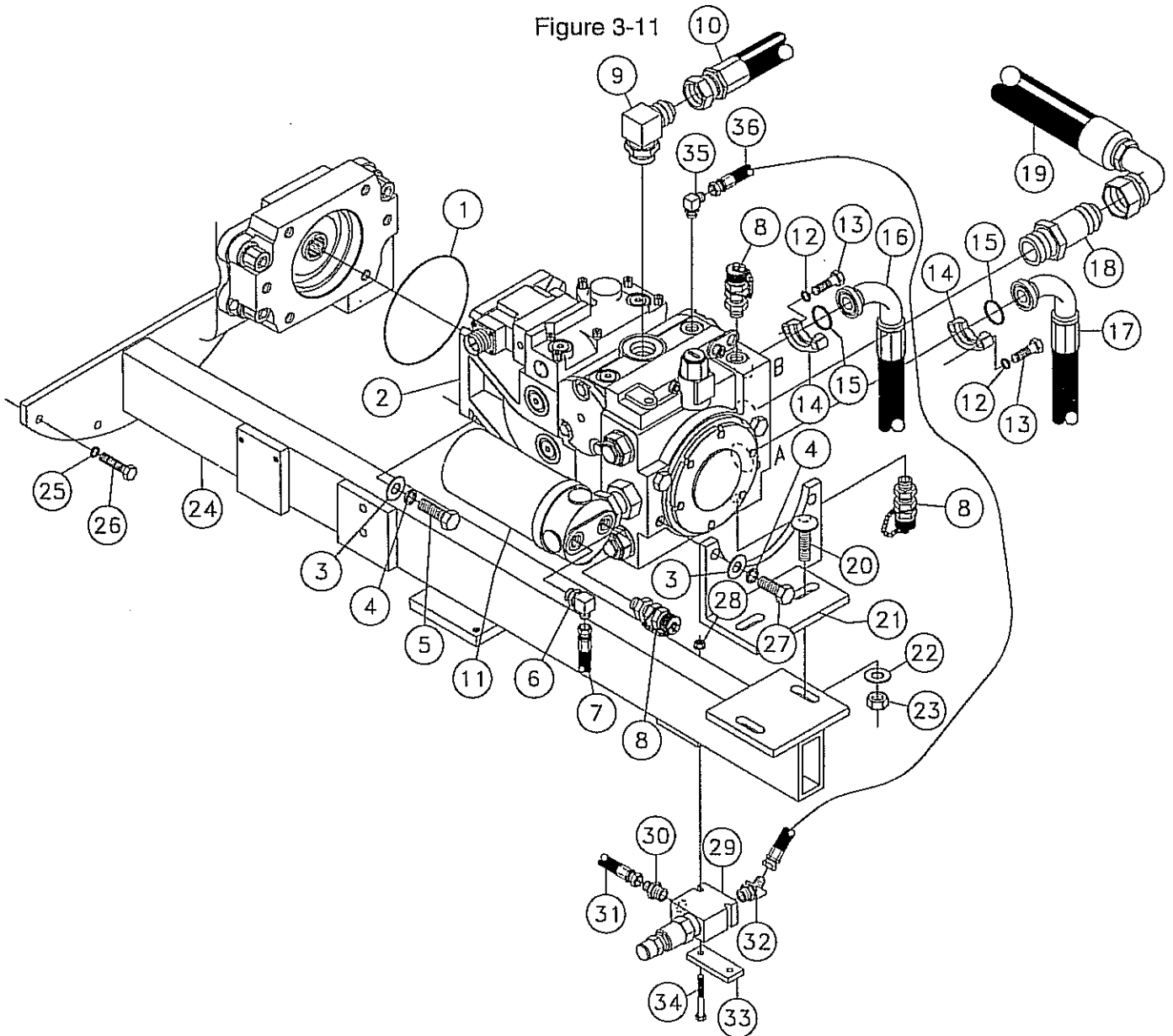
Figure 3-10



REF. NO.	PART NO.	DESCRIPTION	QTY.	REF. NO.	PART NO.	DESCRIPTION	QTY.
3-10	1	85642-163 O-RING	1	3-10	14	59410-001 12M JICX12M ADJ. 90 DEG.ELBOW	1
3-10	2	224413-001 PUMP-90 SERIES 55CC 14T EDC (BREAKDOWN FIG. 3-34)	1	3-10	15	53845-001 HOSE-3/4X22 12FS JIC (100R4)	1
3-10	3	86510-001 WASHER-1/2 FLT HARDENED	4	3-10	16	103047-001 FITTING-6MJICX6MORING LONG STR	1
3-10	4	480-011 WASHER-1/2 S/T LOCK	4	3-10	17	57940-661 HOSE-3/8X30 6FSJICST/45 4000#	1
3-10	5	75381-014 BOLT-1/2-UNCX1 1/2 GR.8 HEX	4	3-10	18	480-009 WASHER-7/16 S/T LOCK	8
3-10	6	82931-001 FITTING-6MX4M JIC 45DEG.ELBOW	1	3-10	19	357-016 7/16-14X1 3/4"GRADE#5 HEX BOLT	4
3-10	7	53843-251 HOSE-1/4X19 4FS JIC 2750 PSI	1	3-10	20	67745-001 SPLIT FLANGE HALF CODE 62/16	4
3-10	8	81902-001 FILTER-OIL	1	3-10	21	72895-001 O RING-SQ. #16 FLANGE	3
3-10	9	72056-001 COUPLER-DIAG. TCM-20 9/16NF	1	3-10	22	53845-791 HOSE 3/4X42 12JIC16/62/90 5000	1
3-10	10	59426-001 FITTING-6M JICX6M ADJ 90 ELBOW	1	3-10	23	53845-795 HOSE 3/4X108 12JIC16/62/90DEG	1
3-10	11	57940-659 HOSE-3/8X19 6FSJICST 4000 PSI	1	3-10	24	83635-001 PLUG-#6 JIC MALE	1
3-10	12	53835-001 #16M O-RING-#16M JIC 45 DEG.	1	3-10	25	234780-001 BLOCK-CODE 62	1
3-10	13	53846-001 HOSE-1X20 16FS JIC (100R4)	1	3-10	26	357-040 BOLT-7/16-14X4 GR5 HHCS PLATED	4

HYDRAULIC PUMP ASSEMBLY (LEFT TRACK, WATER)

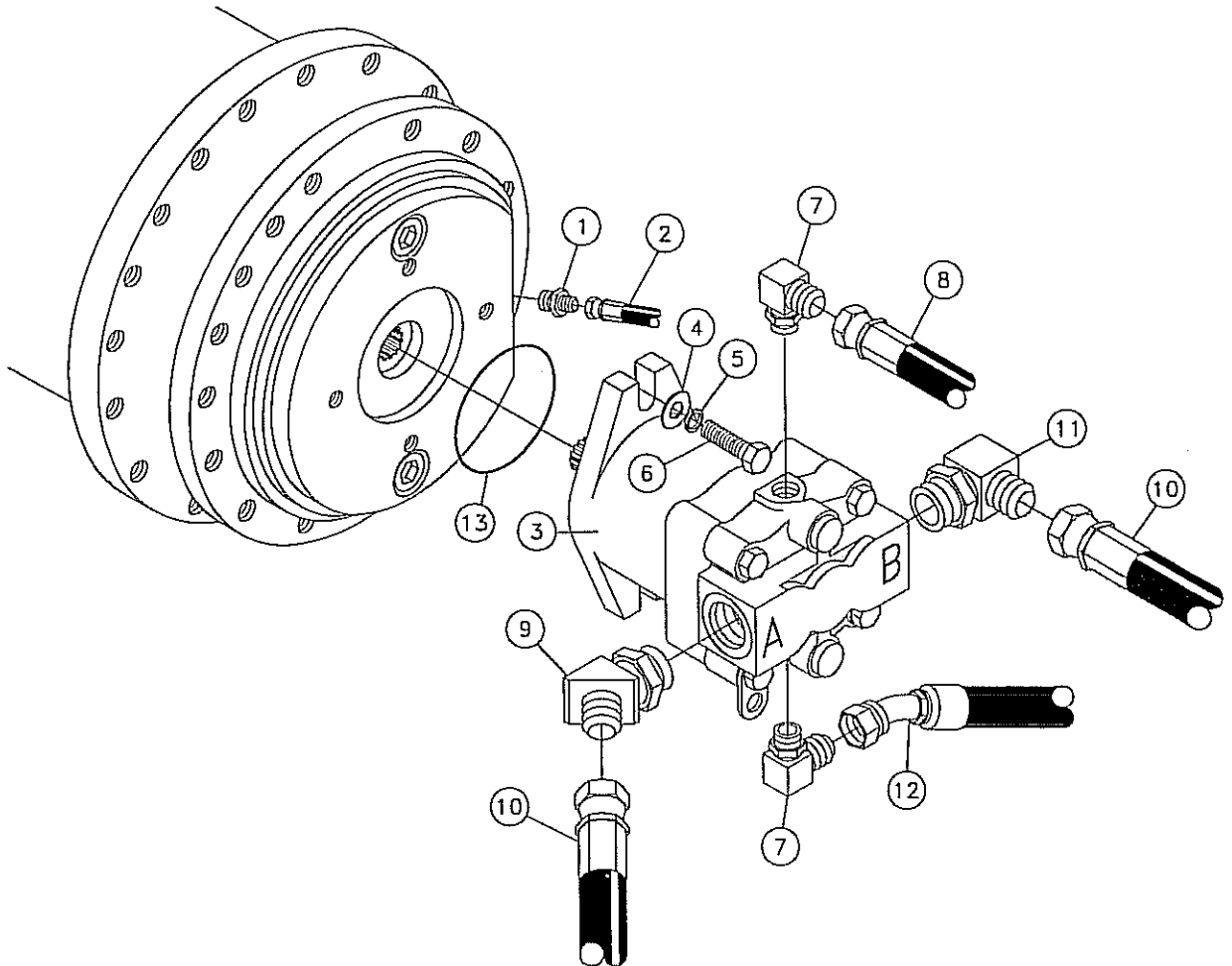
Figure 3-11



REF. NO.	PART NO.	DESCRIPTION	QTY.	REF. NO.	PART NO.	DESCRIPTION	QTY.
3-11	1	85642-163 O-RING	1	3-11	19	53846-209 HOSE-1X39 16FSJIC/16FSJIC-90	1
3-11	2	224412-001 PUMP-90 SERIES 55CC 14T EDC (BREAKDOWN FIG. 3-35)	1	3-11	20	377-016 1/2-13X1 3/4"GD#5CARRIAGE BOLT	2
3-11	3	86510-001 WASHER-1/2 FLT HARDENED	6	3-11	21	224431-001 SUPPORT PUMP	1
3-11	4	480-011 WASHER-1/2 S/T LOCK	6	3-11	22	485-011 WASHER-1/2 FLAT	2
3-11	5	75381-014 BOLT-1/2-UNCX1 1/2 GR.8 HEX	4	3-11	23	423-001 NUT-1/2 NC SLTL UTB	2
3-11	6	600118-001 FITTING-6MORINGX4MJIC90PARKER	1	3-11	24	224430-001 SUPPORT-PUMP	1
3-11	7	53843-251 HOSE-1/4X19 4FS JIC 2750 PSI	1	3-11	25	13625-001 WASHER-10 MM LOCK	4
3-11	8	72056-001 COUPLER-DIAG. TCM-20 9/16NF	3	3-11	26	24773-001 BOLT-10M X 50	4
3-11	9	59410-001 12M JICX12M ADJ. 90 DEG.ELBOW	1	3-11	27	140119-001 BOLT-M12X1.75-110MM GR10.9	2
3-11	10	53845-677 HOSE-3/4X27 12FSJIC-12FSJIC 45	1	3-11	28	405-001 NUT-1/4 NC FLG WHIZ LOCK	2
3-11	11	81902-001 FILTER-OIL	1	3-11	29	234317-001 VALVE-RELIEF (500-5000 PSI)	1
3-11	12	480-009 WASHER-7/16 S/T LOCK	8	3-11	30	57968-001 6M O-RING 4M JIC STRAIGHT	1
3-11	13	357-016 7/16-14X1 3/4"GRADE#5 HEX BOLT	8	3-11	31	53843-303 HOSE-1/4X122 4FS JIC 5000 PSI	1
3-11	14	67745-001 SPLIT FLANGE HALF CODE 62/16	4	3-11	32	82931-001 FITTING-6MX4M JIC 45DEG.ELBOW	1
3-11	15	72895-001 O RING-SQ. #16 FLANGE	2	3-11	33	234428-001 PLATE-VALVE MOUNT CLAMP	1
3-11	16	53845-611 HOSE-3/4X100 12JIC90X16/62/90	1	3-11	34	350-020 1/4-20X2" GRADE #5 HEX BOLT	2
3-11	17	53845-793 HOSE 3/4X96 12JIC16/62/90 5000	1	3-11	35	59423-001 FIT-4M JICX4M ADJ.90 DEG.ELBOW	1
3-11	18	99385-001 FITTING-16M X16M JIC LONG STR.	1	3-11	36	68210-001 HOSE-1/4X24 4FS JIC (M2T)	1

TRACK DRIVE MOTOR ASSEMBLY (LEFT)

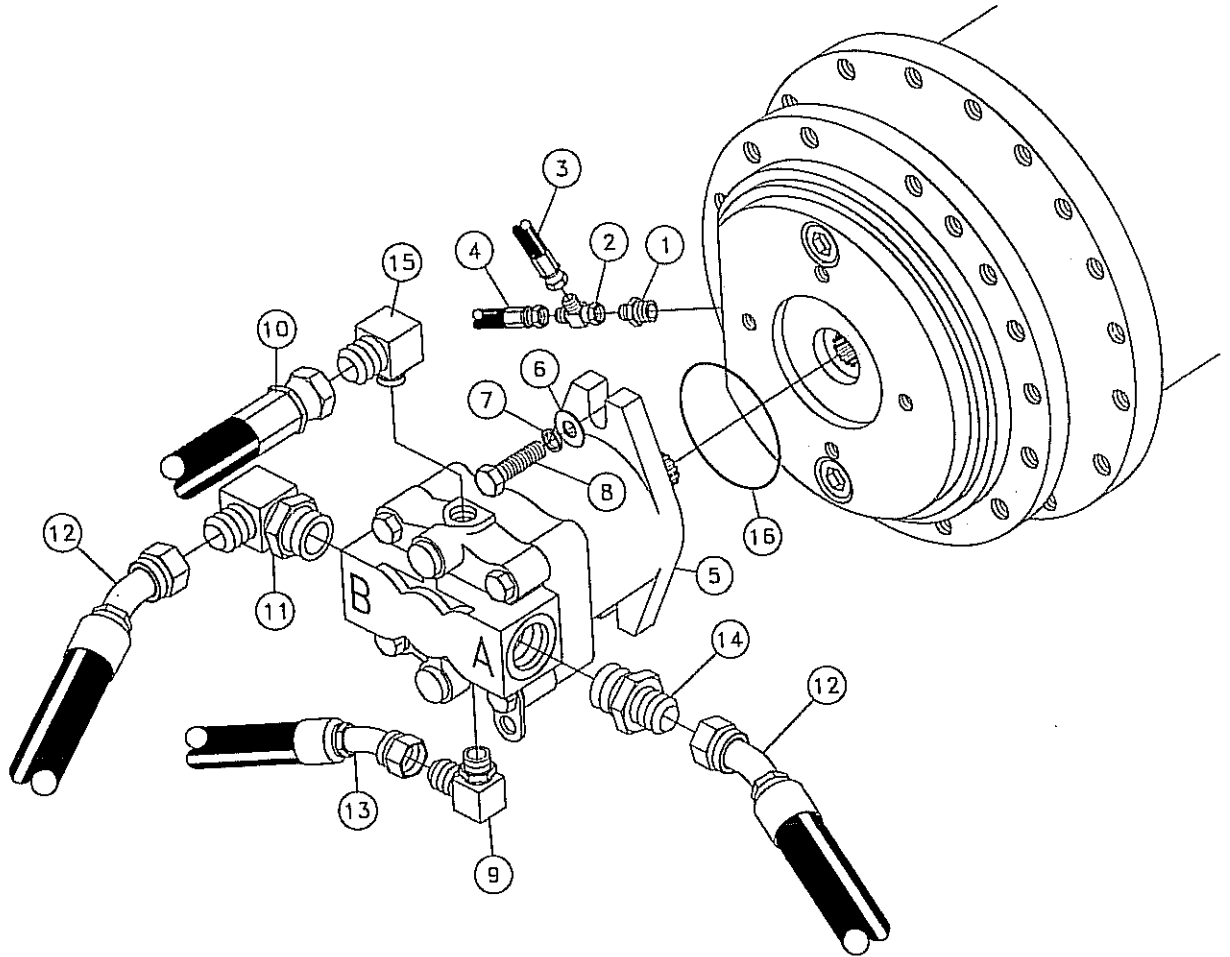
Figure 3-12



REF. NO.	PART NO.	DESCRIPTION	QTY.
3-12	1	103058-001 FITTING-M12X1.5X4M JIC STR.	1
3-12	2	53843-709 HOSE-1/4X48 4FS JIC 3000 PSI	1
3-12	3	200873-001 MOTOR-MDT46	1
3-12	4	86510-001 WASHER-1/2 FLT HARDENED	2
3-12	5	480-011 WASHER-1/2 S/T LOCK	2
3-12	6	358-016 BOLT-1/2-13X1 3/4 GRADE #5 HEX	2
3-12	7	53823-001 #8M O-RING-#10M JIC 90 DEG.	2
3-12	8	53842-047 HOSE-5/8X50 10FS JIC (100R2)	1
3-12	9	81212-001 FITTING-16MX12M JIC 45 ELBOW	1
3-12	10	53845-615 HOSE-3/4X37 12FSJICST/45D5000#	2
3-12	11	78057-001 FITTING-16MX12M JIC 90 DEG	1
3-12	12	232127-025 HOSE-5/8X48 10FSJIC45/10FSJIC45	1
3-12	13	903382-001 O-RING	1

TRACK DRIVE MOTOR ASSEMBLY (RIGHT)

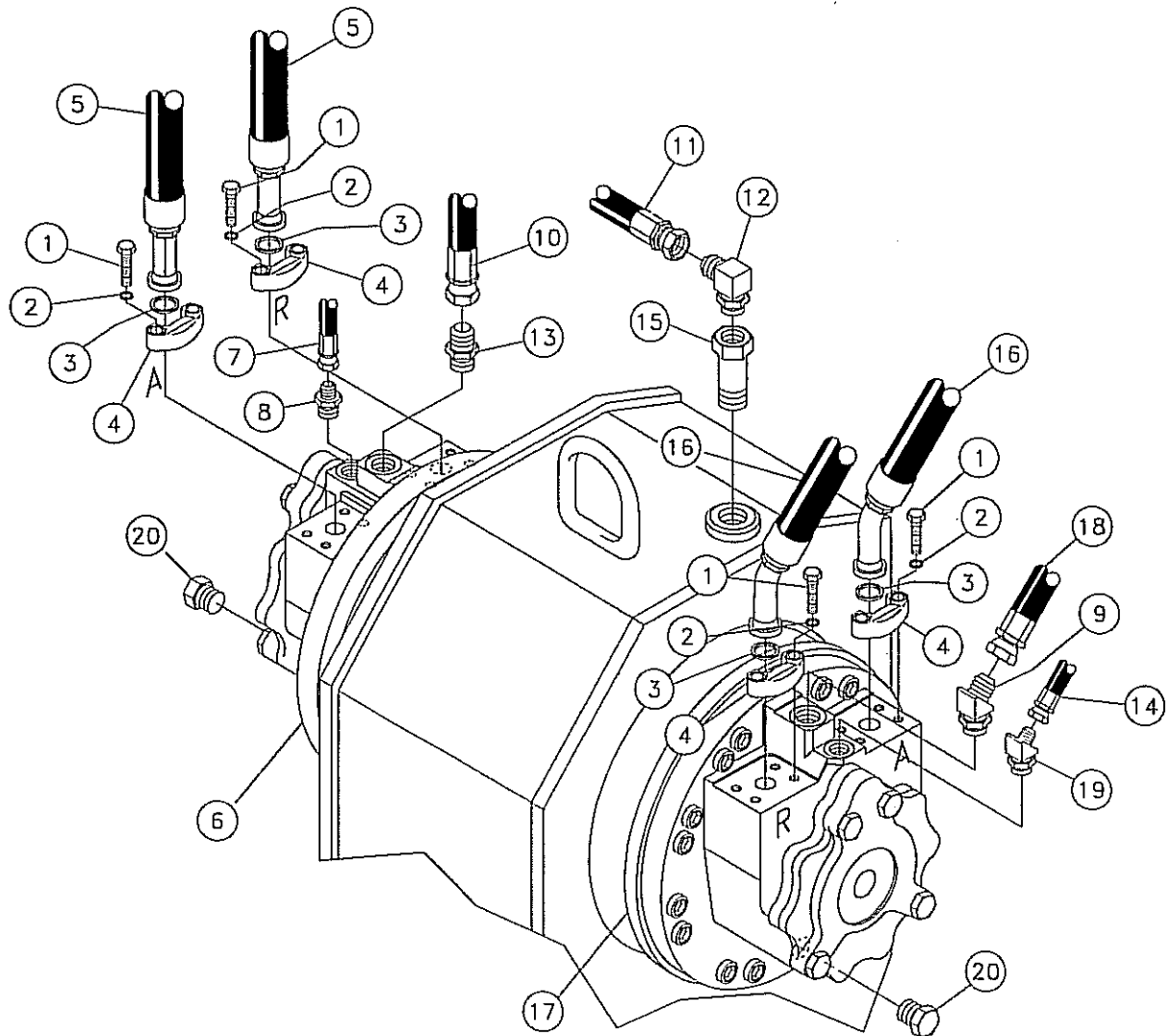
Figure 3-13



REF. NO.	PART NO.	DESCRIPTION	QTY.
3-13	1	103058-001 FITTING-M12X1.5X4M JIC STR.	1
3-13	2	60248-001 TEE-4M JICX4M JICX4FS JIC	1
3-13	3	53843-253 HOSE-1/4X32 4FS JIC 2750 PSI	1
3-13	4	53843-709 HOSE-1/4X48 4FS JIC 3000 PSI	1
3-13	5	200873-001 MOTOR-MDT46	1
3-13	6	86510-001 WASHER-1/2 FLT HARDENED	2
3-13	7	480-011 WASHER-1/2 S/T LOCK	2
3-13	8	358-016 BOLT-1/2-13X1 3/4 GRADE #5 HEX	2
3-13	9	53823-001 #8M O-RING-#10M JIC 90 DEG.	1
3-13	10	53845-007 HOSE-3/4X84 12FS JIC (100R4)	1
3-13	11	78057-001 FITTING-16MX12M JIC 90 DEG	1
3-13	12	53845-615 HOSE-3/4X37 12FSJICST/45D5000#	2
3-13	13	232127-025 HOSE-5/8X48 10FSJIC45/10FSJIC45	1
3-13	14	70008-001 FITTING-16M X 12M JIC STR.	1
3-13	15	59411-001 12M JICX6M ADJ. 90 DEG.ELBOW	1
3-13	16	903382-001 O-RING	1

GEARBOX DRIVE MOTOR ASSEMBLY

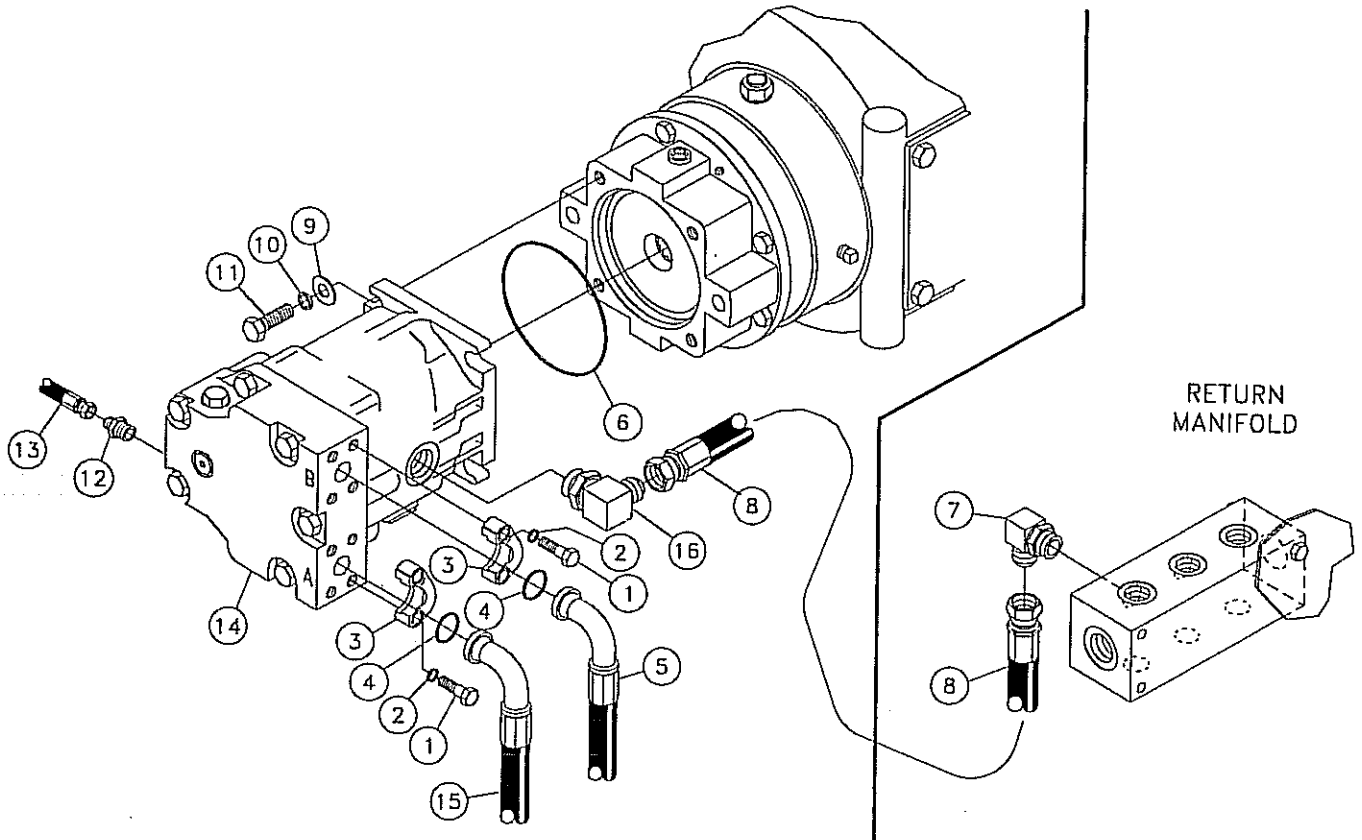
Figure 3-14



REF. NO.	PART NO.	DESCRIPTION	QTY.	REF. NO.	PART NO.	DESCRIPTION	QTY.
3-14	1	354-014 BOLT-3/8-16X1 1/2*GRADE#5 HEX	16	3-14	11	53842-515 HOSE-5/8X239 10FSJICST 3000PSI	1
3-14	2	480-007 WASHER-3/8 S/T LOCK	16	3-14	12	53829-001 #10M O-RING-#10M JIC 90 DEG.	1
3-14	3	72894-001 O RING-SQ. #12 FLANGE	4	3-14	13	53827-001 FITT.-#10M O-RING-#10M JIC ST.	1
3-14	4	67746-001 SPLIT FLANGE HALF CODE 62/12	8	3-14	14	57940-029 HOSE-3/8X26 6FS JIC (100R1)	1
3-14	5	53845-771 HOSE-3/4X38 12FS/12FLH 6000PSI	2	3-14	15	682-001 12 M X 10 F SOLID ADAPT.	1
3-14	6	216674-001 MOTOR-2 SPEED HYD. (BREAKDOWN FIG. 1-20)	1	3-14	16	53845-769 HOSE-3/4X34 12FS/12FLH60 6000#	2
3-14	7	57940-407 HOSE-3/8X32 6FS JIC 4000 PSI	1	3-14	17	216675-001 MOTOR-2 SPEED HYD. (BREAKDOWN FIG. 1-21)	1
3-14	8	60247-001 FITTING-8M X 6M JIC ST.	1	3-14	18	53842-123 HOSE-5/8X34 10FS JIC 1500 PSI	1
3-14	9	56725-001 FITTING-10MX10M JIC 45 DEG.	1	3-14	19	59425-001 FITTING-6M JICX8M ADJ.45 ELBOW	1
3-14	10	53842-303 HOSE-5/8X20 10FSJICST/10FSJC90	1	3-14	20	4235-001 10 M PLUG	2

WATER PUMP DRIVE MOTOR ASSEMBLY

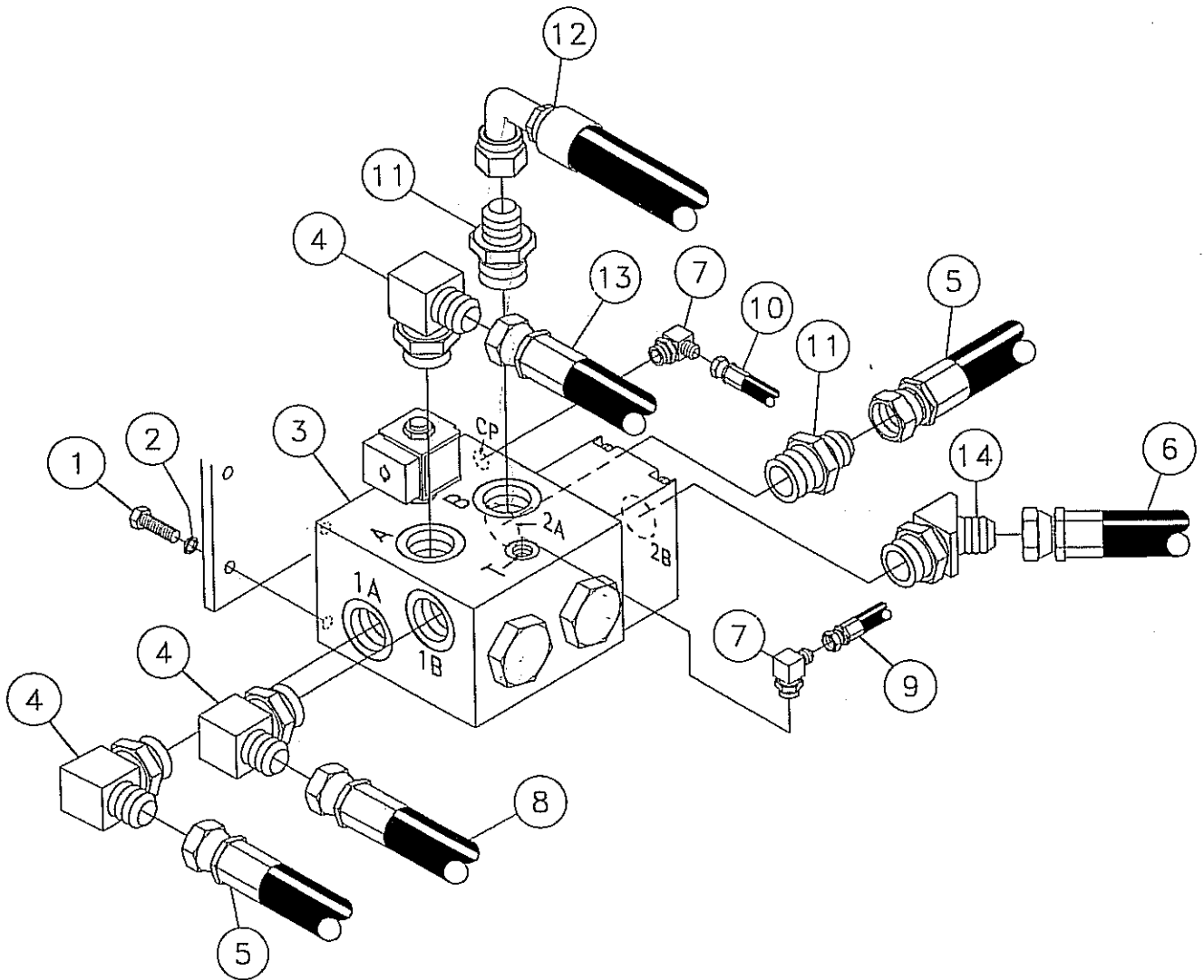
Figure 3-15



REF. NO.	PART NO.	DESCRIPTION	QTY.
3-15	1	357-016 7/16-14X1 3/4"GRADE#5 HEX BOLT	8
3-15	2	480-009 WASHER-7/16 S/T LOCK	8
3-15	3	67745-001 SPLIT FLANGE HALF CODE 62/16	4
3-15	4	72895-001 O RING-SO. #16 FLANGE	2
3-15	5	59255-127 HOSE-3/4X32 12FSJIC/62/12 5000	1
3-15	6	234319-001 O-RING #159N70	1
3-15	7	53829-001 #10M O-RING-#10M JIC 90 DEG.	1
3-15	8	53842-027 HOSE-5/8X72 10FS JIC (M2T)	1
3-15	9	86510-001 WASHER-1/2 FLT HARDENED	4
3-15	10	480-011 WASHER-1/2 S/T LOCK	4
3-15	11	358-014 BOLT-1/2-13X1 1/2"GRADE#5 HEX	4
3-15	12	57968-001 6M O-RING 4M JIC STRAIGHT	1
3-15	13	53843-303 HOSE-1/4X122 4FS JIC 5000 PSI	1
3-15	14	204731-001 MOTOR-HYD (BREAKDOWN FIG. 3-36)	1
3-15	15	59255-129 HOSE-3/4X28 12FSJIC/62/12 5000	1
3-15	16	59409-001 10M JICX12M ADJ. 90 DEG.ELBOW	1

SELECTOR VALVE ASSEMBLY (LEFT)

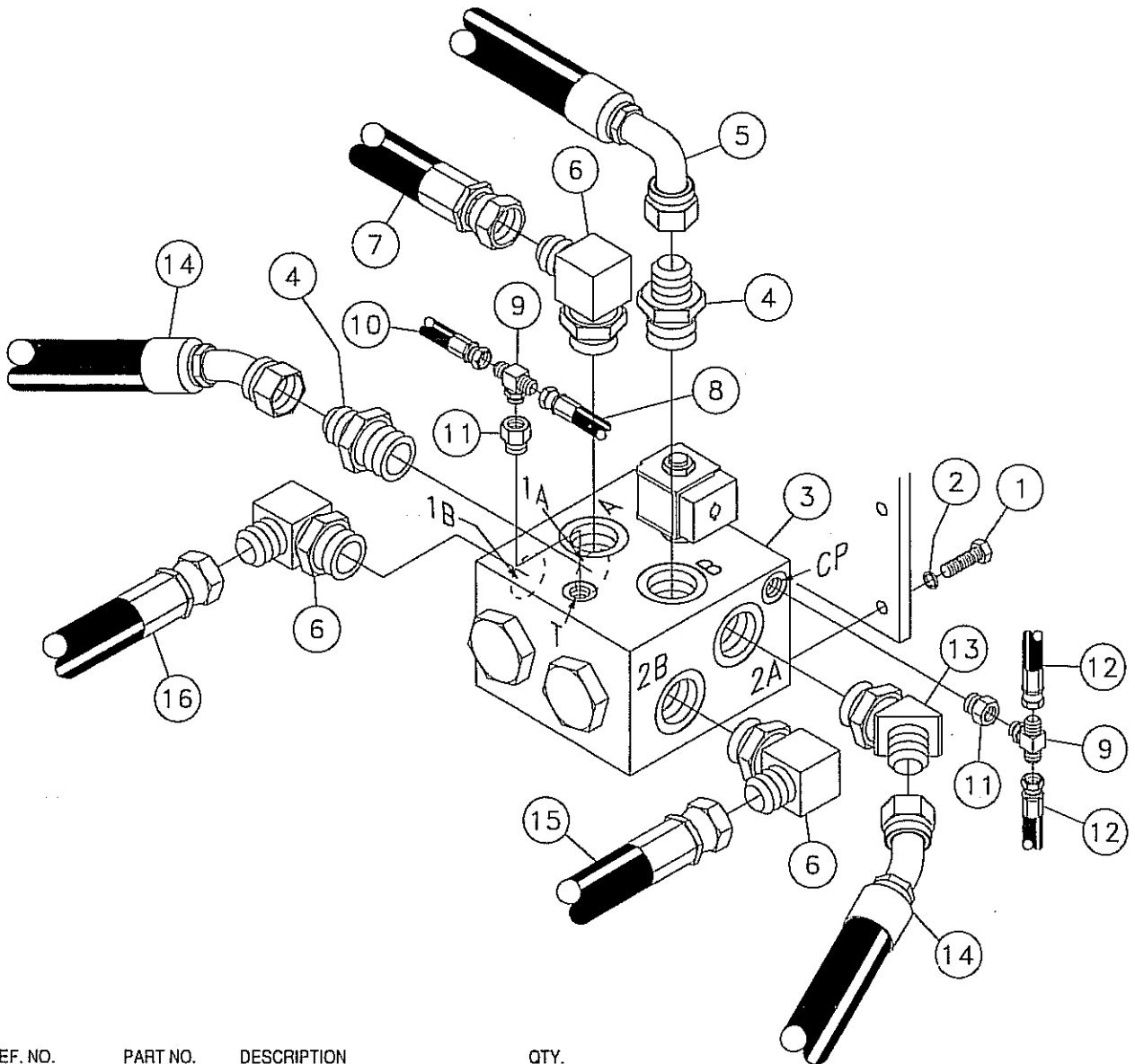
Figure 3-16



REF. NO.	PART NO.	DESCRIPTION	QTY.
3-16	1	357-010 BOLT-7/16"-14X1" GRADE#5 HEX	4
3-16	2	480-009 WASHER-7/16 S/T LOCK	4
3-16	3	224292-001 VALVE-SOLENOID SELECT W/CHECK (BREAKDOWN FIG. 3-45)	1
3-16	4	78057-001 FITTING-16MX12M JIC 90 DEG	3
3-16	5	53845-615 HOSE-3/4X37 12FSJICST/45D5000#	2
3-16	6	53845-773 HOSE-3/4X59 12FSJICST/90 5000#	1
3-16	7	600118-001 FITTING-6MORINGX4MJIC90PARKER	2
3-16	8	53845-779 HOSE-3/4X161 12FSJICST/90 5000	1
3-16	9	53843-239 HOSE-1/4X26 4FS JIC 3000 PSI	1
3-16	10	53843-253 HOSE-1/4X32 4FS JIC 2750 PSI	1
3-16	11	70008-001 FITTING-16M X 12M JIC STR.	2
3-16	12	53845-753 HOSE-3/4X82 12FSJIC 90/ST 5000	1
3-16	13	53845-795 HOSE 3/4X108 12JIC16/62/90DEG	1
3-16	14	81212-001 FITTING-16MX12M JIC 45 ELBOW	1

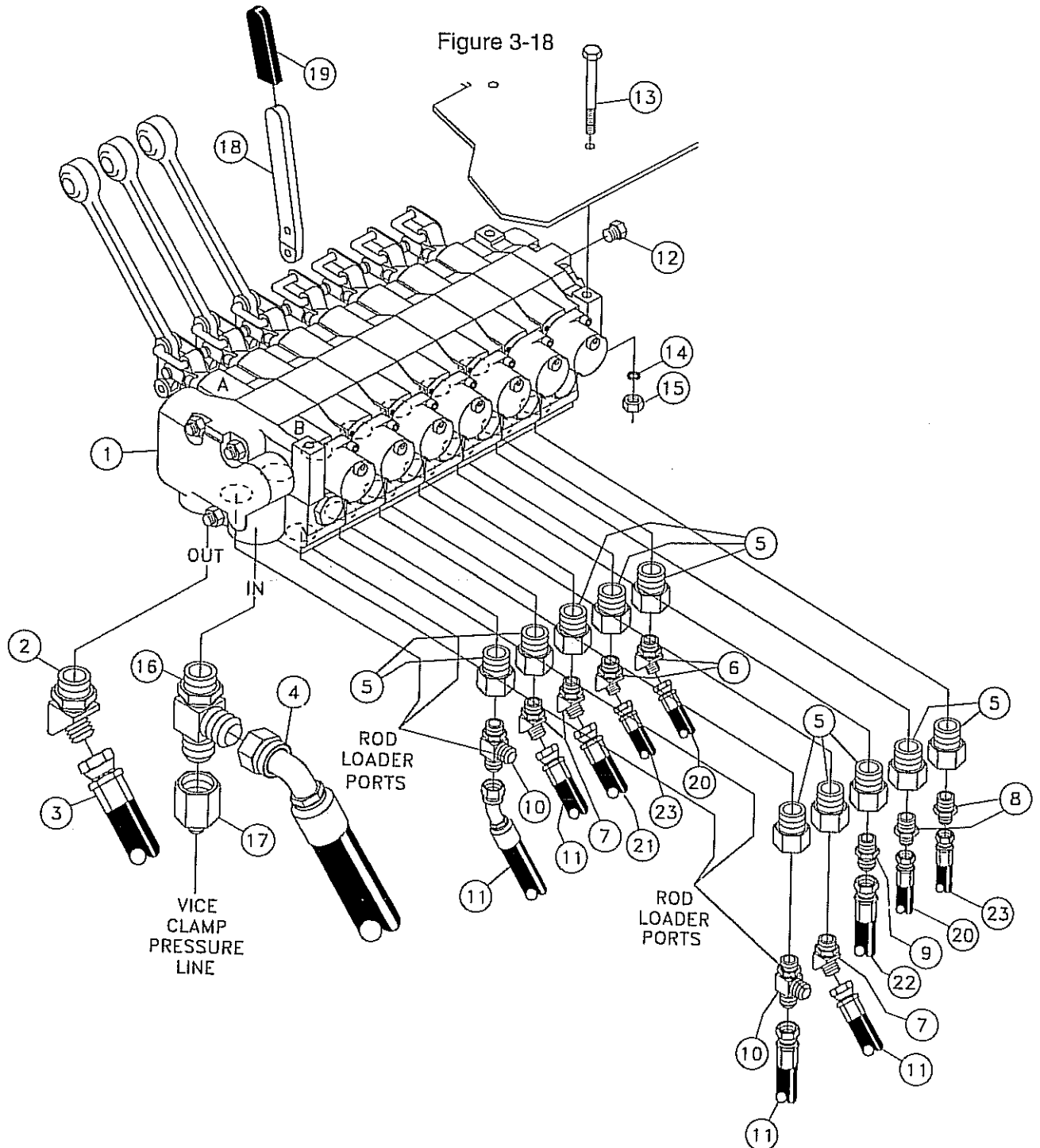
SELECTOR VALVE ASSEMBLY (RIGHT)

Figure 3-17



REF. NO.	PART NO.	DESCRIPTION	QTY.
3-17	1	357-010 BOLT-7/16"-14X1" GRADE#5 HEX	4
3-17	2	480-009 WASHER-7/16 S/T LOCK	4
3-17	3	224307-001 VALVE-SOLENOID SELECTOR (BREAKDOWN FIG. 3-46)	1
3-17	4	70008-001 FITTING-16M X 12M JIC STR.	2
3-17	5	53845-611 HOSE-3/4X100 12JIC90X16/62/90	1
3-17	6	78057-001 FITTING-16MX12M JIC 90 DEG	3
3-17	7	53845-793 HOSE 3/4X96 12JIC16/62/90 5000	1
3-17	8	53843-239 HOSE-1/4X26 4FS JIC 3000 PSI	1
3-17	9	81343-001 4M (BCH)X4M JICX4M JIC TEE	2
3-17	10	53843-057 HOSE-1/4X22 4FS JIC (100R1)	1
3-17	11	67291-001 6MX4F SOLID REDUCER	2
3-17	12	53843-253 HOSE-1/4X32 4FS JIC 2750 PSI	2
3-17	13	81212-001 FITTING-16MX12M JIC 45 ELBOW	1
3-17	14	53845-615 HOSE-3/4X37 12FSJICST/45D5000#	2
3-17	15	59255-127 HOSE-3/4X32 12FSJIC/62/12 5000	1
3-17	16	59255-129 HOSE-3/4X28 12FSJIC/62/12 5000	1

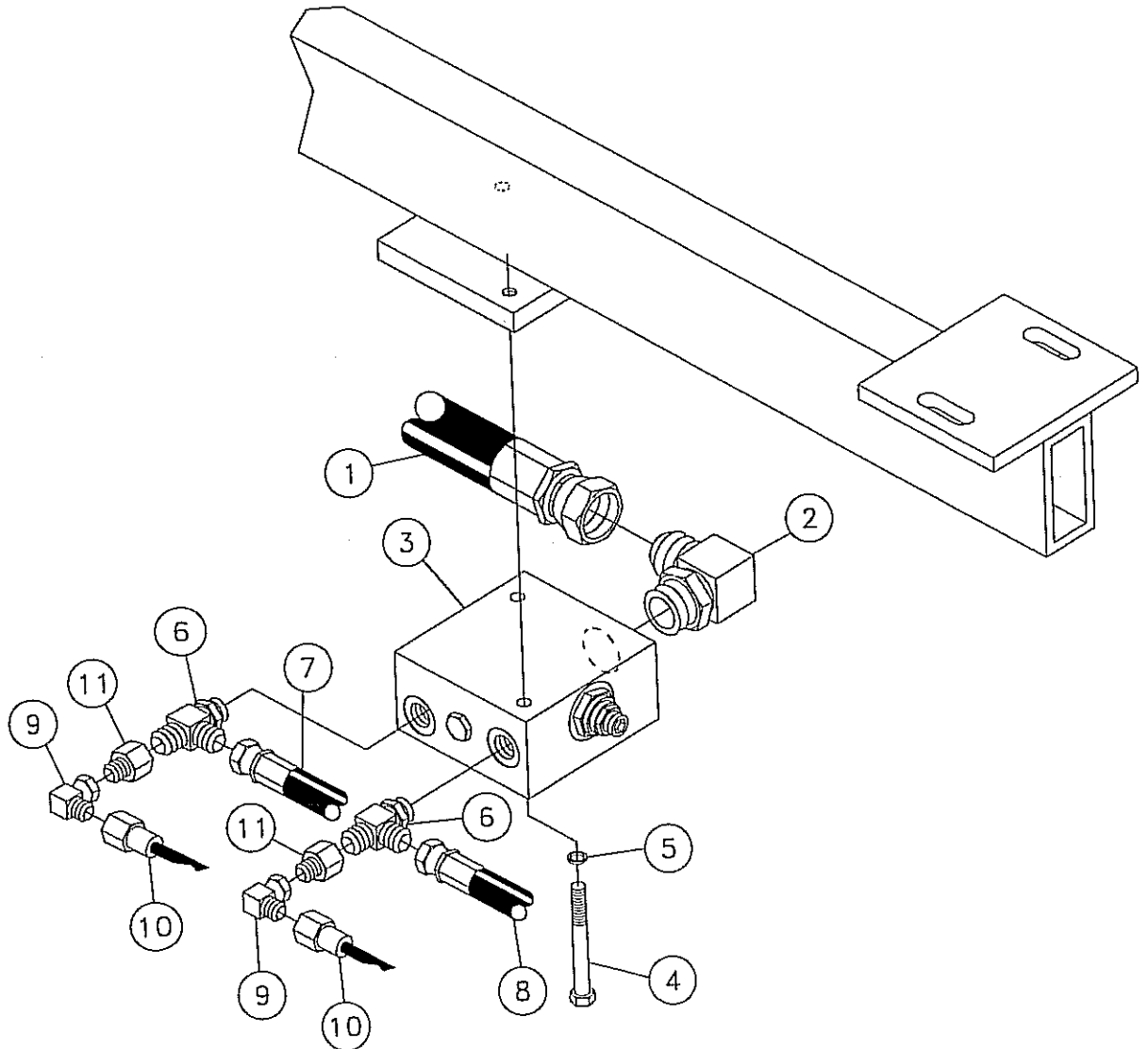
CONTROL VALVE ASSEMBLY - 7 SPOOL



REF. NO.	PART NO.	DESCRIPTION	QTY.	REF. NO.	PART NO.	DESCRIPTION	QTY.
3-18	1	244519-001 VALVE-7 SECT V20 PRESSURE COMP (BREAKDOWN FIG. 3-39)	1	3-18	12	67263-001 PLUG-4M	1
3-18	2	88659-001 FITTING-12M ORINGX10MJIC 45DEG	1	3-18	13	351-030 5/16-18X3"GRADE #5 HEX BOLT	3
3-18	3	53842-027 HOSE-5/8X72 10FS JIC (M2T)	1	3-18	14	480-005 WASHER-5/16 S/T LOCK	3
3-18	4	53845-687 HOSE-3/4X90 12FSJIC-12FSJIC 45	1	3-18	15	406-001 NUT-5/16 NC HEX	3
3-18	5	57967-001 10M-6F O-RING BUSHING	10	3-18	16	59420-001 12 JICX12M ADJ. STR THRD TEE	1
3-18	6	82931-001 FITTING-6MX4M JIC 45DEG.ELBOW	2	3-18	17	60909-001 6M JICX12F JIC ST.ADAPTER	1
3-18	7	65563-001 6M X 6M JIC 45 DEGREE	3	3-18	18	234364-001 PLATE-VALVE HANDLE	4
3-18	8	57968-001 6M O-RING 4M JIC STRAIGHT	2	3-18	19	201482-001 HANDLE-BLACK PLASTIC 2 1/2"	1
3-18	9	65565-001 FITTING-6M X 6M JIC ST.	1	3-18	20	53843-539 HOSE-1/4X204 4FS JIC 2750 PSI	2
3-18	10	68774-001 FITTING-6MX6M JIC (RUN)X6M JIC	2	3-18	21	57940-665 HOSE-3/8X69 6FSJICST/90 3000#	1
3-18	11	57940-719 HOSE-3/8X21 6FSJICST/45D3000#	4	3-18	22	57940-663 HOSE-3/8X62 6FSJICST/90 3000#	1
				3-18	23	53843-721 HOSE-1/4X206 4FSJICST 3000PSI	2

HOT OIL SHUTTLE ASSEMBLY

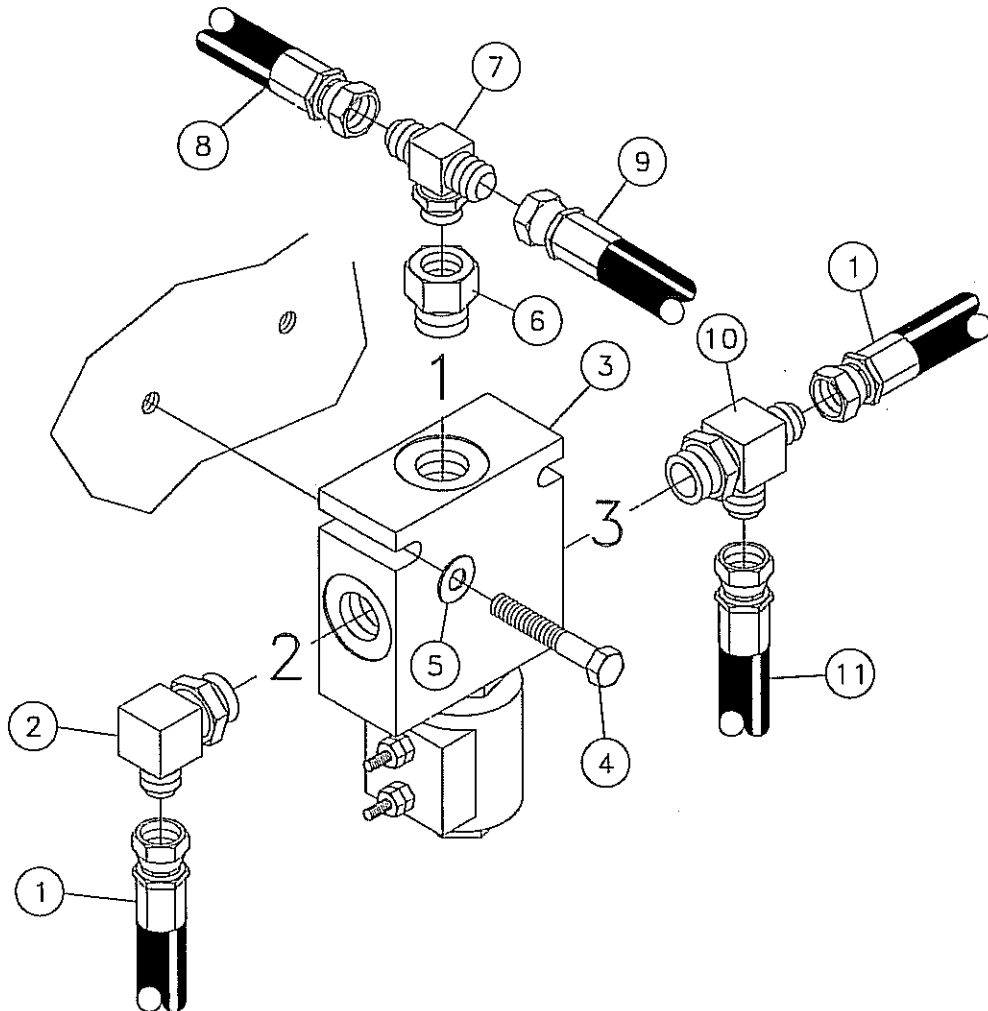
Figure 3-19



REF. NO.	PART NO.	DESCRIPTION	QTY.
3-19	1	53845-131 HOSE-3/4X40 12FS JIC (100R4)	1
3-19	2	59410-001 12M JICX12M ADJ. 90 DEG.ELBOW	1
3-19	3	902012-001 VALVE-SHUTTLE (BREAKDOWN FIG. 3-37)	1
3-19	4	351-026 5/16-18X2 3/4IN.GR. #5HEX BOLT	3
3-19	5	480-005 WASHER-5/16 S/T LOCK	3
3-19	6	68774-001 FITTING-6MX6M JIC (RUN)X6M JIC	2
3-19	7	57940-661 HOSE-3/8X30 6FSJICST/45 4000#	1
3-19	8	57940-659 HOSE-3/8X19 6FSJICST 4000 PSI	1
3-19	9	53658-001 FITTING-4M JICX4 FS JIC 90 DEG	2
3-19	10	244520-001 HOSE-.078X136 4FS JIC ST	2
3-19	11	59928-001 6F JICX4M JIC ST REDUCER	2

SOLENOID VALVE ASSEMBLY (TRACK)

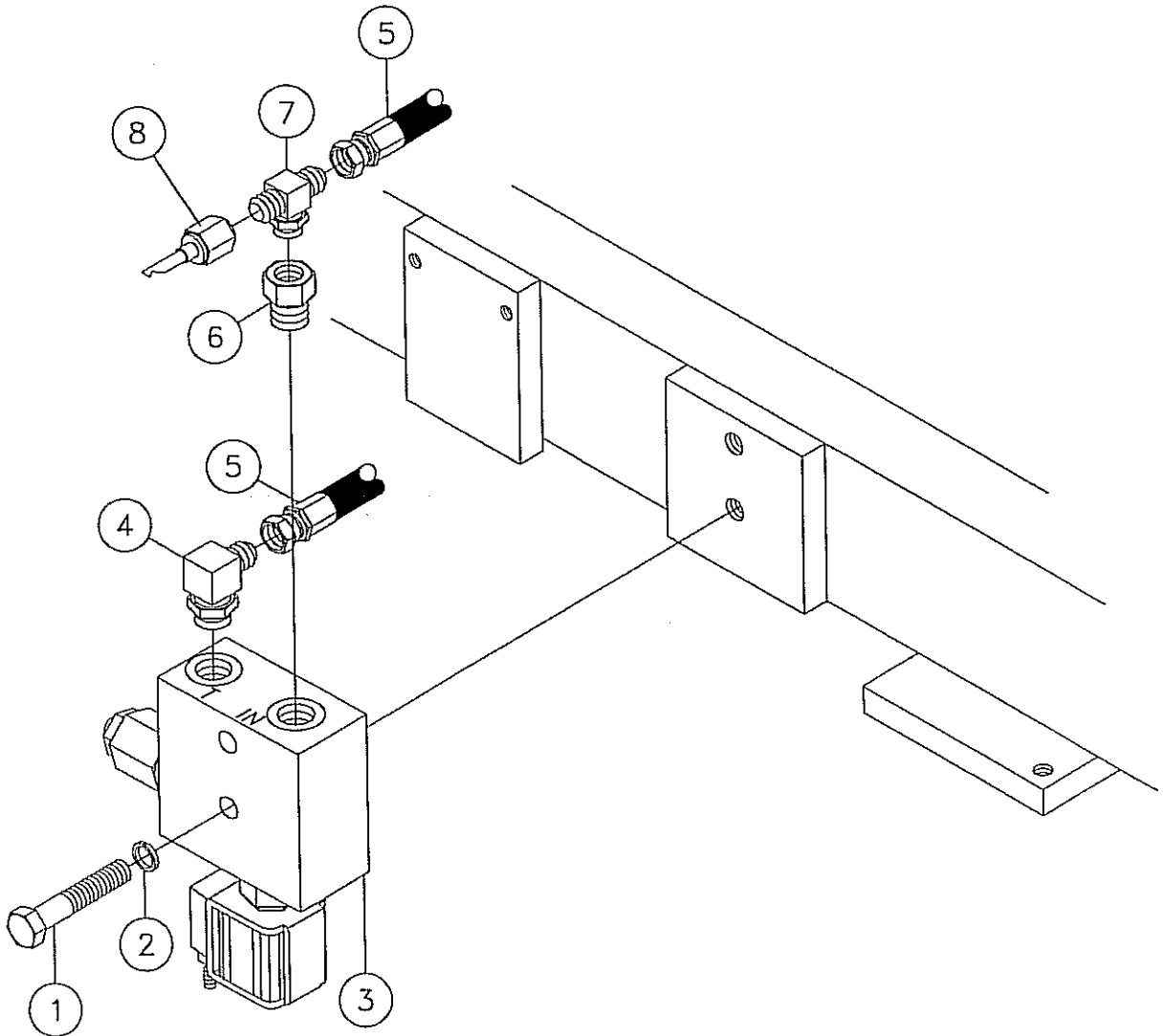
Figure 3-20



<u>REF. NO.</u>	<u>PART NO.</u>	<u>DESCRIPTION</u>	<u>QTY.</u>
3-20	1	53843-253 HOSE-1/4X32 4FS JIC 2750 PSI	2
3-20	2	600118-001 FITTING-6MORINGX4MJIC90PARKER	1
3-20	3	239443-001 VALVE-2 POS. 3 WAY (BREAKDOWN FIG. 3-46)	1
3-20	4	350-014 BOLT-1/4-20X1 1/2"GRADE#5 HEX	2
3-20	5	465-003 WASHER-1/4 FLAT	2
3-20	6	67291-001 6MX4F SOLID REDUCER	1
3-20	7	81343-001 4M (BCH)X4M JICX4M JIC TEE	1
3-20	8	53843-325 HOSE-1/4X25 4FS JIC 3000 PSI	1
3-20	9	53843-057 HOSE-1/4X22 4FS JIC (100R1)	1
3-20	10	82930-001 FIT-6MX4M JICX4M JIC (BCH) TEE	1
3-20	11	53843-237 HOSE-1/4X80 4FS JIC 3000 PSI	1

TORQUE LIMITER VALVE ASSEMBLY

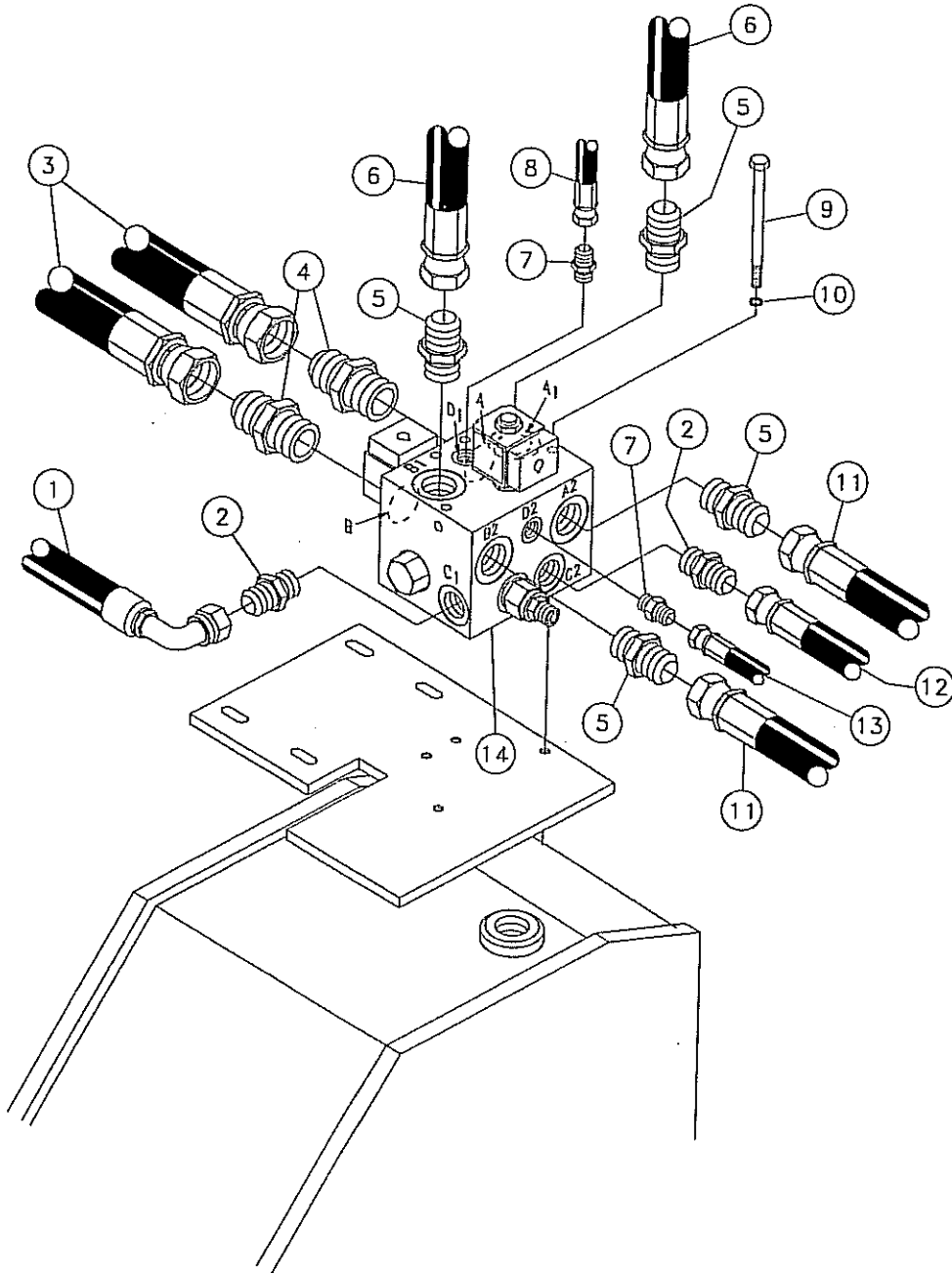
Figure 3-21



<u>REF. NO.</u>	<u>PART NO.</u>	<u>DESCRIPTION</u>	<u>QTY.</u>
3-21	1	354-020 3/8-16X2" GRADE#5 HEX BOLT	2
3-21	2	480-007 WASHER-3/8 S/T LOCK	2
3-21	3	228114-001 VALVE-REMOTE PRESSURE LIMITER	1
3-21	4	600118-001 FITTING-6MORINGX4MJIC90PARKER	1
3-21	5	68210-001 HOSE-1/4X24 4FS JIC (M2T)	2
3-21	6	67291-001 6MX4F SOLID REDUCER	1
3-21	7	81343-001 4M (BCH)X4M JICX4M JIC TEE	1
3-21	8	244520-001 HOSE-.078X136 4FS JIC ST	1

GEARBOX VALVE ASSEMBLY

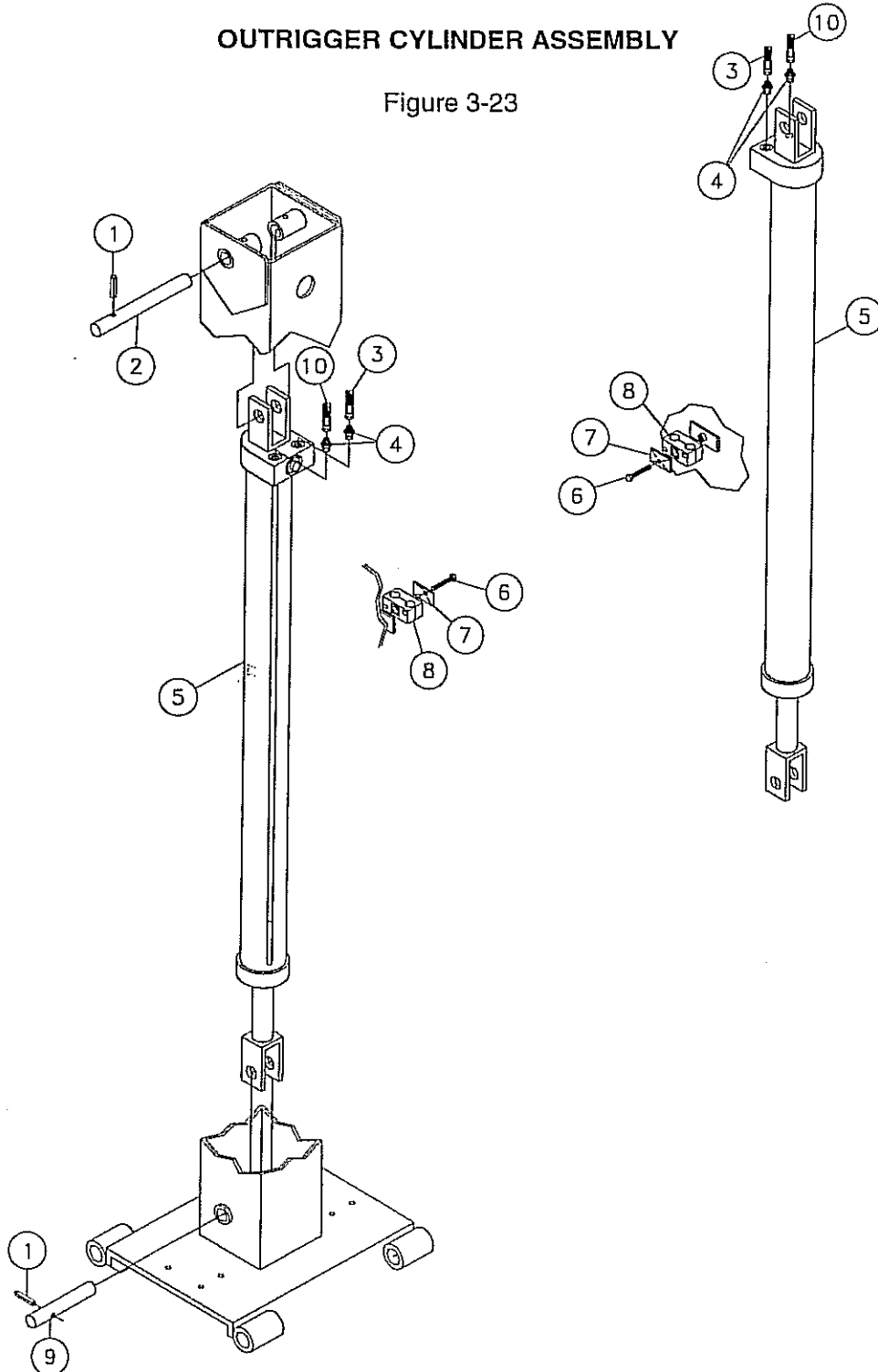
Figure 3-22



REF. NO.	PART NO.	DESCRIPTION	QTY.
3-22	1	53842-303 HOSE-5/8X20 10FSJICST/10FSJC90	1
3-22	2	53827-001 FITT.-#10M O-RING-#10M JIC ST.	2
3-22	3	53846-469 HOSE-1X227 16FSJICST/ST 6000#	2
3-22	4	60907-001 FITTING-16M JICX16M STR ADAPT	2
3-22	5	53828-001 #12M O-RING-#12M JIC ST.	4
3-22	6	53845-771 HOSE-3/4X38 12FS/12FLH 6000PSI	2
3-22	7	65565-001 FITTING-6M X 6M JIC ST.	2
3-22	8	57940-407 HOSE-3/8X32 6FS JIC 4000 PSI	1
3-22	9	351-044 BOLT-5/16-18X4 1/2 GR 5 HEX HD	4
3-22	10	480-005 WASHER-5/16 S/T LOCK	4
3-22	11	53845-769 HOSE-3/4X34 12FS/12FLH60 6000#	2
3-22	12	53842-123 HOSE-5/8X34 10FS JIC 1500 PSI	1
3-22	13	57940-029 HOSE-3/8X26 6FS JIC (100R1)	1
3-22	14	228132-001 VALVE-3 SPEED LOOP FLUSH (BREAKDOWN FIG. 3-47)	1

OUTRIGGER CYLINDER ASSEMBLY

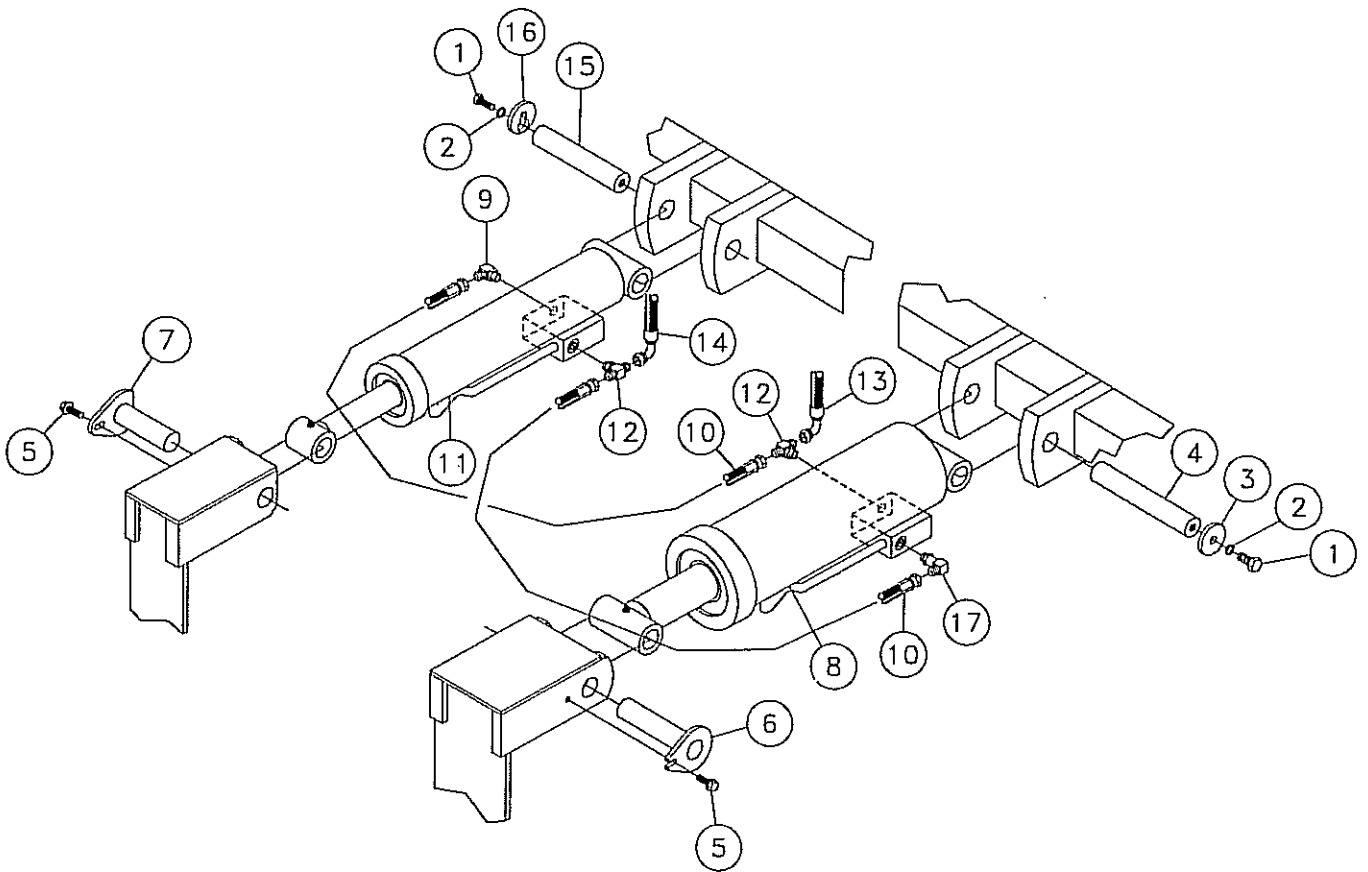
Figure 3-23



REF. NO.	PART NO.	DESCRIPTION	QTY.
3-23	1	1788-033 PIN-EXP.3/8X2 1/4	4
3-23	2	216681-001 PIN-OUTRIGGER CYLINDER	2
3-23	3	53843-539 HOSE-1/4X204 4FS JIC 2750 PSI	2
3-23	4	57968-001 6M O-RING 4M JIC STRAIGHT	4
3-23	5	224278-001 CYL 3"X40" W/ CB VALVE (BREAKDOWN FIG. 3-49)	2
3-23	6	351-012 BOLT-5/16"-18X1 1/4"GR5 HEX	4
3-23	7	67846-003 PLATE-TWIN COVER	4
3-23	8	900035-005 CLAMP-3/8"DOUBLE HOSE	4
3-23	9	216682-001 PIN-OUTRIGGER CYLINDER	2
3-23	10	53843-721 HOSE-1/4X206 4FSJICST 3000PSI	2

RACK LIFT CYLINDER ASSEMBLY

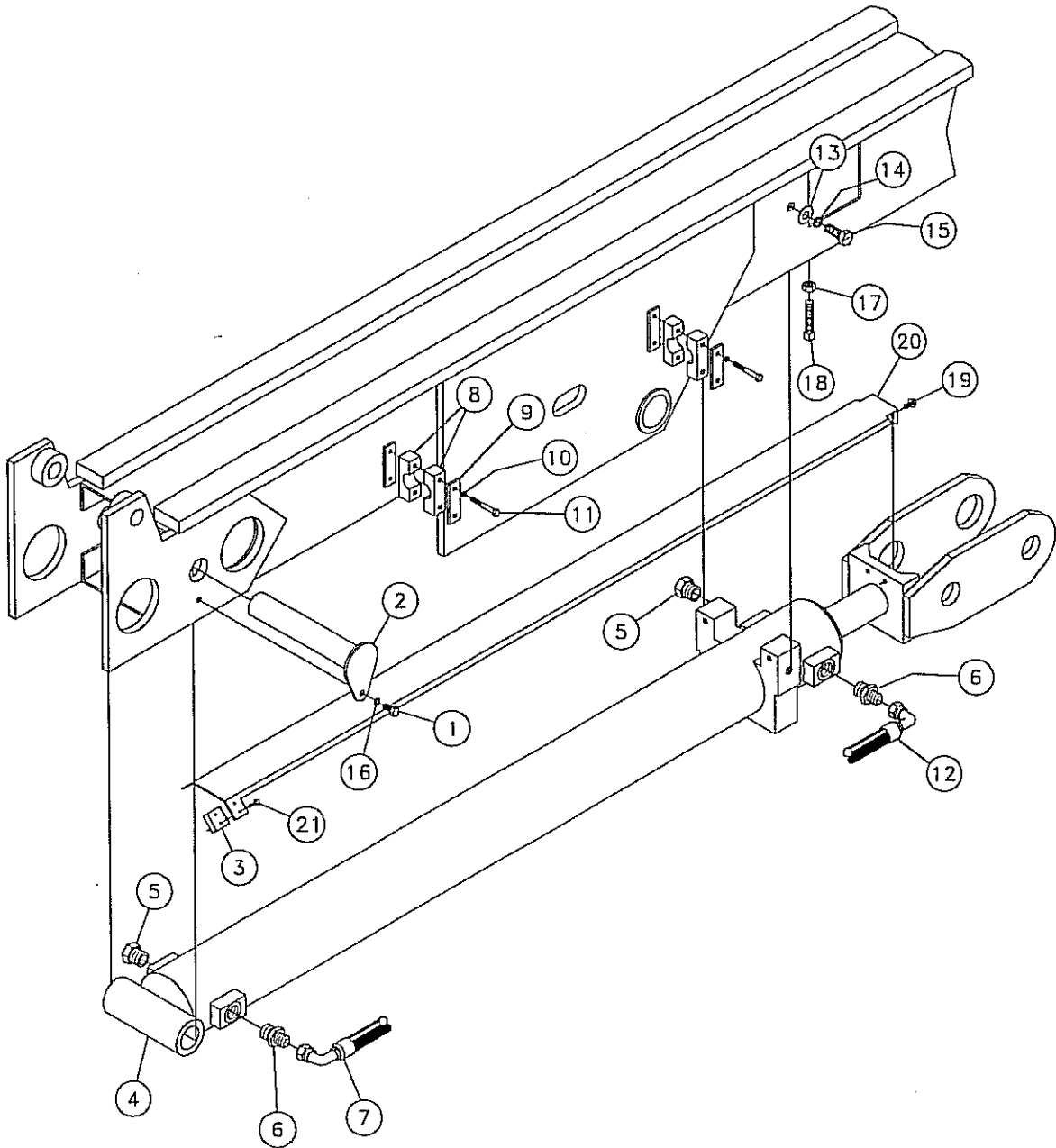
Figure 3-24



REF. NO.	PART NO.	DESCRIPTION	QTY.
3-24	1	358-010 BOLT-1/2-13X1" GRADE#5 HEX	4
3-24	2	480-011 WASHER-1/2 S/T LOCK	4
3-24	3	18150-001 SLUG-2 DIA.-1/4"	3
3-24	4	216722-001 PIN-RACK PIVOT CYLINDER	1
3-24	5	4475-006 BOLT-3/8-16X3/4 FLG WHIZ	2
3-24	6	227854-001 PIN-LEFT RACK CYLINDER	1
3-24	7	227852-001 PIN-RIGHT RACK CYLINDER	1
3-24	8	216695-001 CYLINDER-4 1/2"X12" (BREAKDOWN FIG.3-50	1
3-24	9	59426-001 FITTING-6M JICX6M ADJ 90 ELBOW	1
3-24	10	68209-023 HOSE-3/8X28 6FS JIC (M2T)	2
3-24	11	224445-001 CYLINDER-3X12 HYD. (BREAKDOWN FIG. 3-51)	1
3-24	12	68787-001 FITTING-6M (BCH)X6M JICX6M JIC	2
3-24	13	57940-663 HOSE-3/8X62 6FSJICST/90 3000#	1
3-24	14	57940-665 HOSE-3/8X69 6FSJICST/90 3000#	1
3-24	15	216724-001 PIN-RACK PIVOT CYLINDER	1
3-24	16	227855-001 PLATE-PIN END CAP	1
3-24	17	65570-001 6M X 6M JIC 90 DEGREE LONG	1

THRUST CYLINDER ASSEMBLY

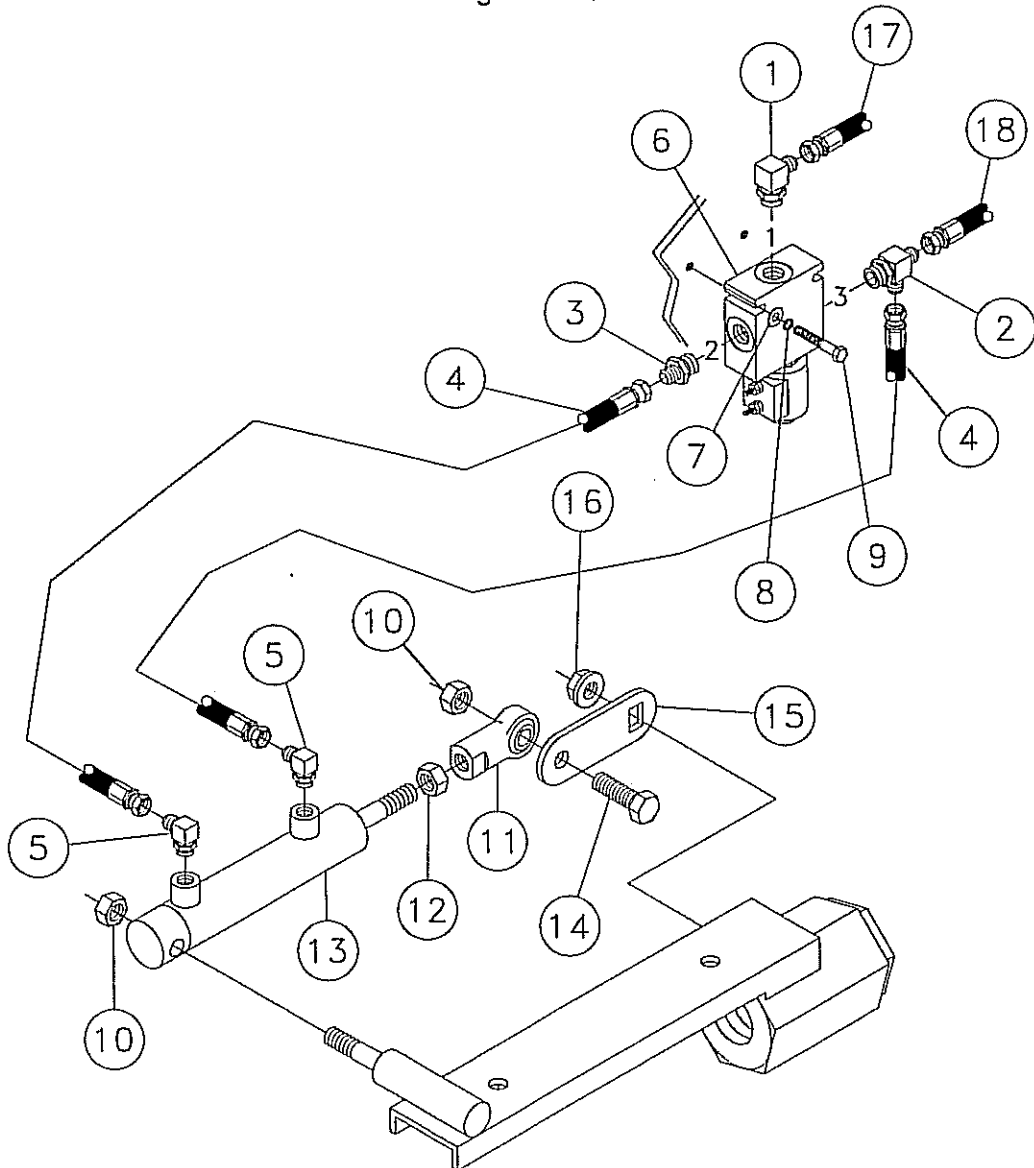
Figure 3-25



REF. NO.	PART NO.	DESCRIPTION	QTY.	REF. NO.	PART NO.	DESCRIPTION	QTY.
3-25	1	358-010 BOLT-1/2-13X1" GRADE#5 HEX	1	3-25	12	53845-773 HOSE-3/4X59 12FSJICST/90 5000#	1
3-25	2	224268-001 PIN-THRUST CYLINDER	1	3-25	13	485-017 WASHER-3/4 FLAT	2
3-25	3	227986-001 WEARSTRIP-CYLINDER GUARD	2	3-25	14	480-017 WASHER-3/4 S/T LOCK	2
3-25	4	224478-001 CYLINDER-5X96 (BREAKDOWN FIG. 3-34)	1	3-25	15	369-016 3/4-10X 1 3/4"GRADE#5 HEX BOLT	2
3-25	5	83638-001 PLUG-#16 JIC MALE	2	3-25	16	480-011 WASHER-1/2 S/T LOCK	1
3-25	6	70008-001 FITTING-16MX12M JIC STR.	2	3-25	17	429-001 NUT-5/8 NC HEX JAM	2
3-25	7	53845-779 HOSE-3/4X161 12FS JIC ST/90 5000	1	3-25	18	601697-030 SQ HSS-5/8-11X3 ZINC PLT	2
3-25	8	217034-003 CLAMP-PLASTIC INSIDE (PAIR)	3	3-25	19	4475-006 BOLT-3/8-16X3/4 FLG WHIZ	2
3-25	9	71220-007 PLATE-HOSE CLAMP TOP	3	3-25	20	227985-001 GUARD-CYLINDER	1
3-25	10	480-007 WASHER-3/8 S/T LOCK	3	3-25	21	53653-006 1/4-20X3/4 S TAP WA HD TYPE F	4
3-25	11	354-026 BOLT-3/8-16X2 3/4" GRADE#5HEX	3				

WATER PUMP ON/OFF CYLINDER ASSEMBLY

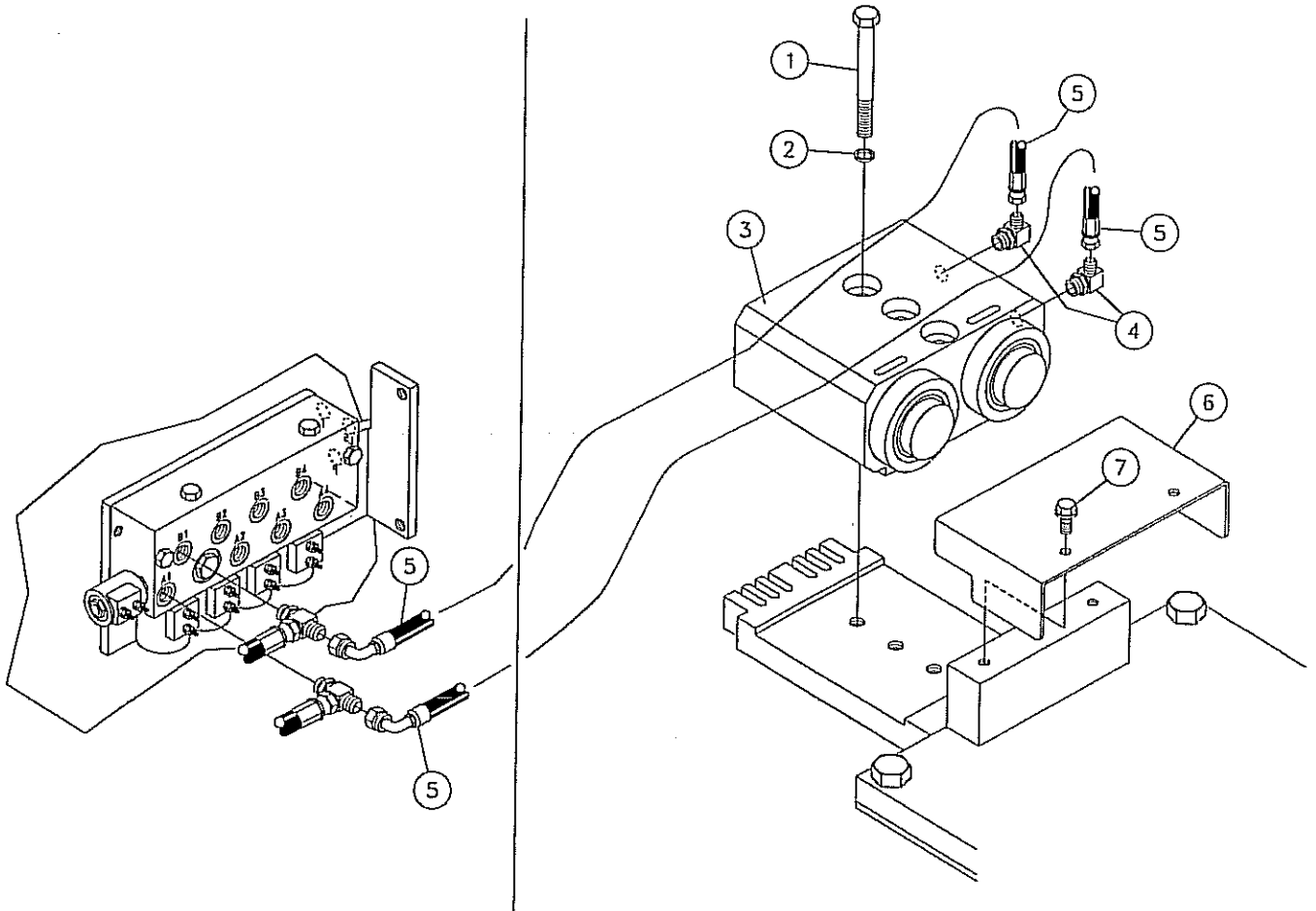
Figure 3-26



REF. NO.	PART NO.	DESCRIPTION	QTY.
3-26	1	600118-001 FITTING-6MORINGX4MJIC90PARKER	1
3-26	2	82930-001 FIT-6MX4M JICX4M JIC (BCH) TEE	1
3-26	3	57968-001 6M O-RING 4M JIC STRAIGHT	1
3-26	4	53B43-251 HOSE-1/4X19 4FS JIC 2750 PSI	2
3-26	5	59423-001 FIT-4M JICX4M ADJ.90 DEG.ELBOW	2
3-26	6	239443-001 VALVE-2 POS. 3 WAY (BREAKDOWN FIG. 3-46)	1
3-26	7	485-007 WASHER-3/8 FLAT	2
3-26	8	480-003 WASHER-1/4 S/T LOCK	2
3-26	9	350-016 1/4-20X1 3/4"GRADE#5 HEX BOLT	2
3-26	10	423-001 NUT-1/2 NC SLTL UTB	2
3-26	11	224291-001 BALL JOINT-1/2-20 FEMALE THDS.	1
3-26	12	451-001 NUT-1/2 N.F. HEX	1
3-26	13	234359-001 CYLINDER-1X3 1/2 (BREAKDOWN FIG. 3-53)	1
3-26	14	358-014 BOLT-1/2-13X1 1/2"GRADE#5 HEX	1
3-26	15	234361-001 PLATE-VALVE LEVER	1
3-26	16	234421-003 NUT-7/16-20NF FLANGE WHIZ	1
3-26	17	53B43-395 HOSE-1/4X45 4FSJICST-4FSJIC 90	1
3-26	18	53B43-481 HOSE-1/4X60 4FS JIC 3000 PSI	1

FLOTATING GEARBOX CYLINDER ASSEMBLY

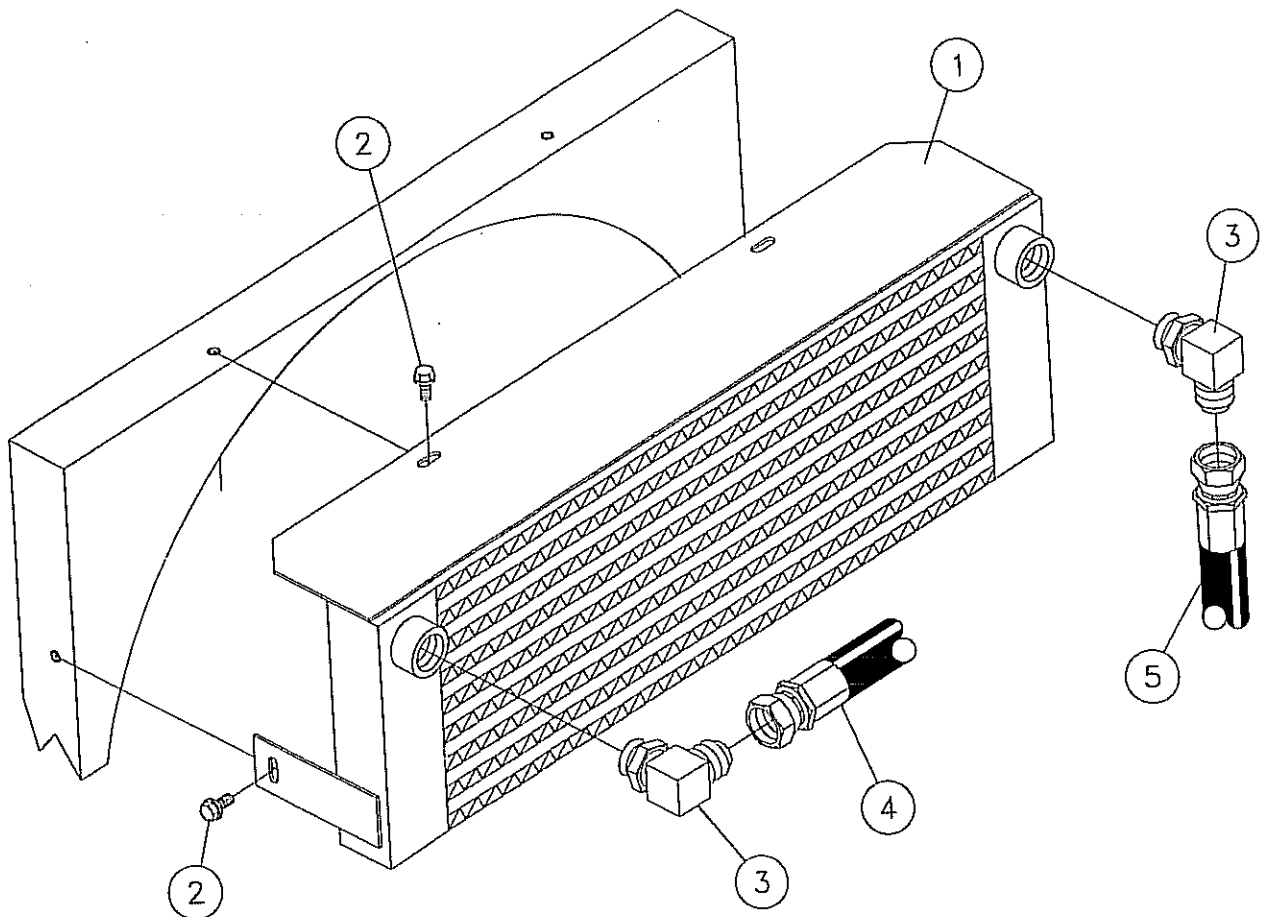
Figure 3-27



REF. NO.	PART NO.	DESCRIPTION	QTY.
3-27	1	383-044 1/2-20X4 1/2"GRADE#8 HEX BOLT	3
3-27	2	480-011 WASHER-1/2 S/T LOCK	3
3-27	3	234498-001 CYLINDER-DUAL 3X2 ROD -2 (BREAKDOWN FIG. 3-54)	1
3-27	4	57950-001 FITTING-6M X 4 JIC 90 DEG.	2
3-27	5	244500-001 HOSE-1/4X264 6FSJIC90/4FSJICST	2
3-27	6	244531-001 SHIELD-CYLINDER	1
3-27	7	4475-006 BOLT-3/8-16X3/4 FLG WHIZ	2

OIL COOLER ASSEMBLY

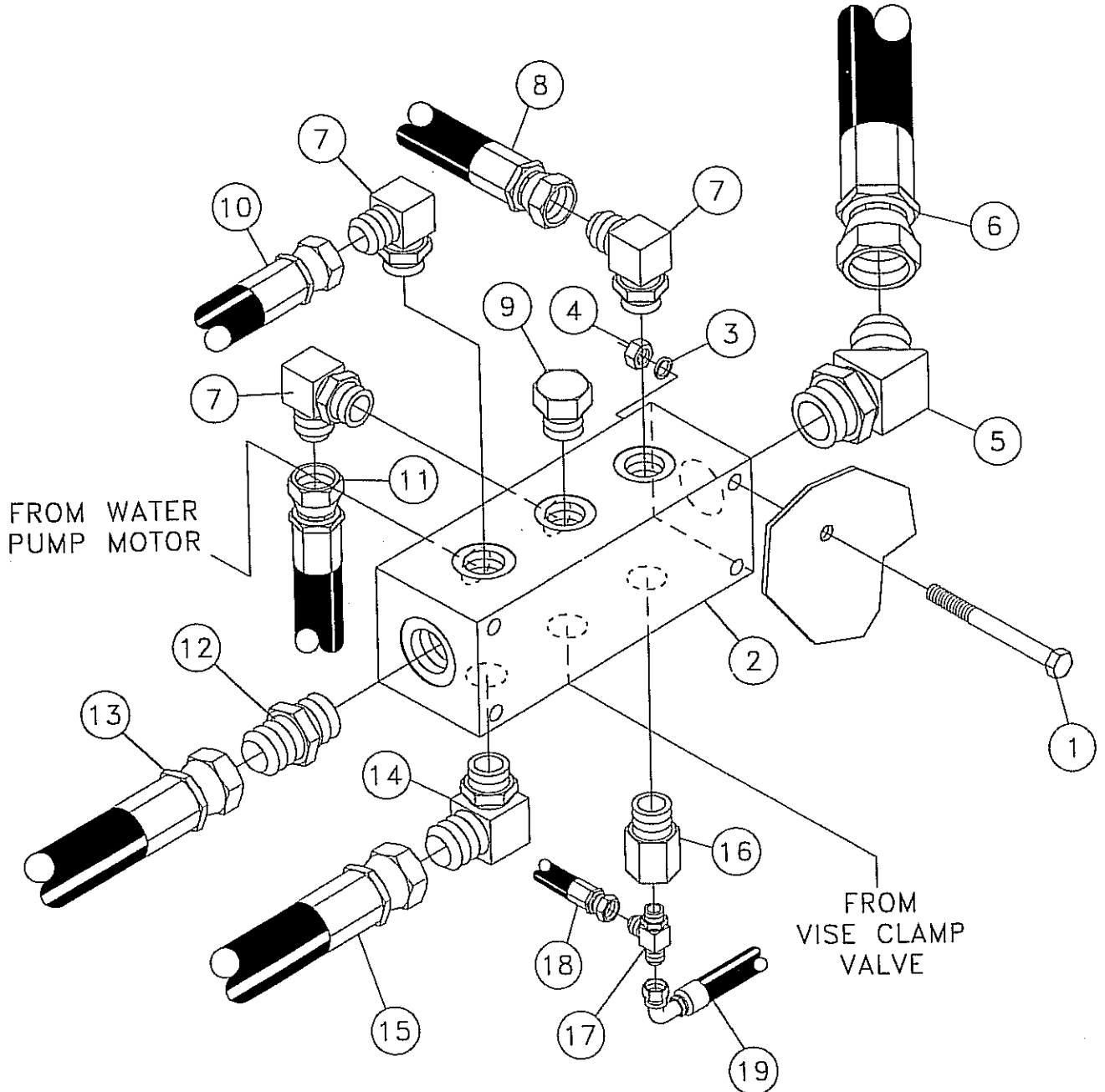
Figure 3-28



<u>REF. NO.</u>	<u>PART NO.</u>	<u>DESCRIPTION</u>	<u>QTY.</u>
3-28	1	238658-001 COOLER-HYDRAULIC OIL	1
3-28	2	4475-006 BOLT-3/8-16X3/4 FLG WHIZ	4
3-28	3	61703-001 16M X 16M JIC 90	2
3-28	4	53846-065 HOSE-1X42 16FS JIC (100R4)	1
3-28	5	53846-059 HOSE-1X33 16FS JIC (100R4)	1

RETURN MANIFOLD ASSEMBLY

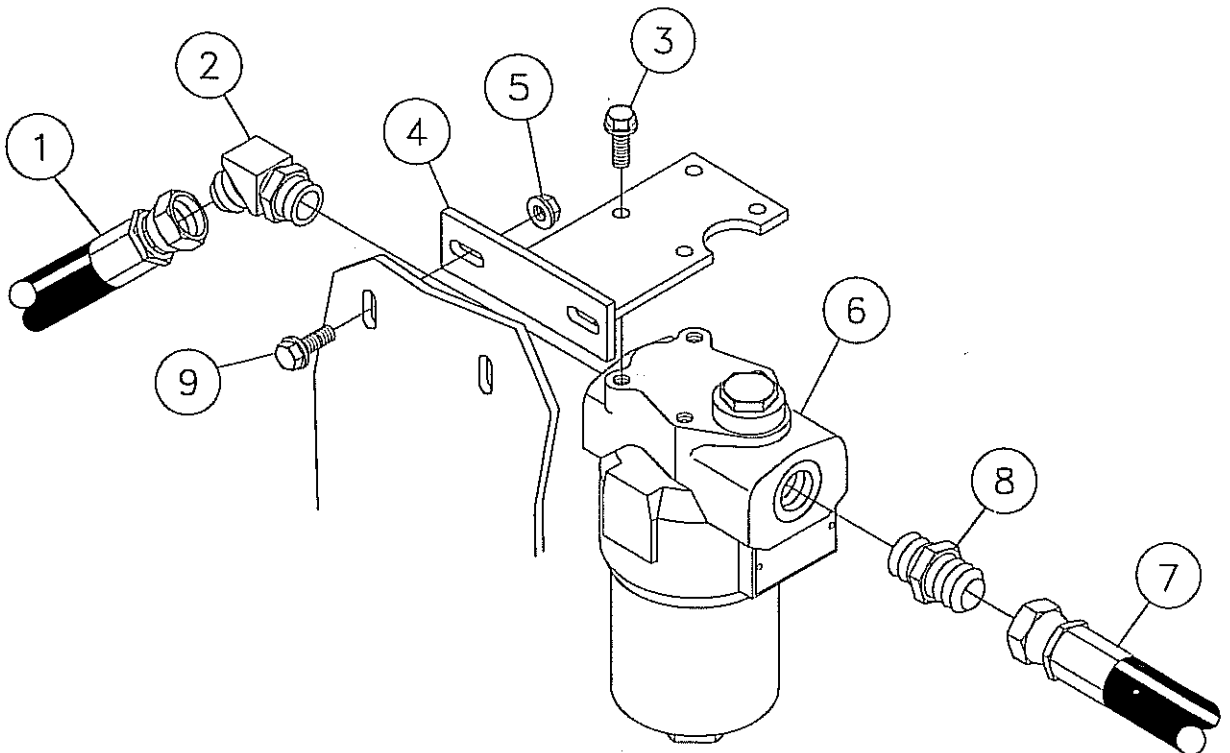
Figure 3-29



REF. NO.	PART NO.	DESCRIPTION	QTY.	REF. NO.	PART NO.	DESCRIPTION	QTY.
3-29	1	354-036	3/8-16X3 3/4"GRADE#5 HEX BOLT	4			
3-29	2	239445-001	MANIFOLD-RETURN	1	3-29	10	53842-027 HOSE-5/8X72 10FS JIC (M2T)
3-29	3	480-007	WASHER-3/8 S/T LOCK	4	3-29	11	53842-047 HOSE-5/8X50 10FS JIC (100R2)
3-29	4	412-001	NUT-3/8 NC HEX	4	3-29	12	53828-001 #12M O-RING-#12M JIC ST.
3-29	5	83638-001	PLUG-#16 JIC MALE	2	3-29	13	53845-683 HOSE-3/4X52 12FSJIC-12FSJIC 45
		53835-001	#16M O-RING-#16M JIC 45 DEG.	1	3-29	14	53871-001 #10M O-RING X 12M JIC 90
3-29	6	70008-001	FITTING-16M X 12M JIC STR.	2	3-29	15	53845-131 HOSE-3/4X40 12FS JIC (100R4)
		53846-059	HOSE-1X33 16FS JIC (100R4)	1	3-29	16	108484-001 FITTING-4FX10M STR. ADAPTER
3-29	7	53845-779	HOSE-3/4X161 12FSJICST/90 5000	1	3-29	17	81342-001 4MX4M JIC(BCH)X4M JIC TEE
		53829-001	#10M O-RING-#10M JIC 90 DEG.	4	3-29	18	53843-325 HOSE-1/4X25 4FS JIC 3000 PSI
3-29	8	217034-003	CLAMP HALF-PLASTIC 1 1/4" ID	3	3-29	19	53843-395 HOSE-1/4X45 4FSJICST-4FSJIC 90
		53842-147	HOSE-5/8X118 10FSJICSTR1500PSI	1			
3-29	9	71220-007	PLATE-HOSE CLAMP TOP	3			

OIL FILTER ASSEMBLY

Figure 3-30

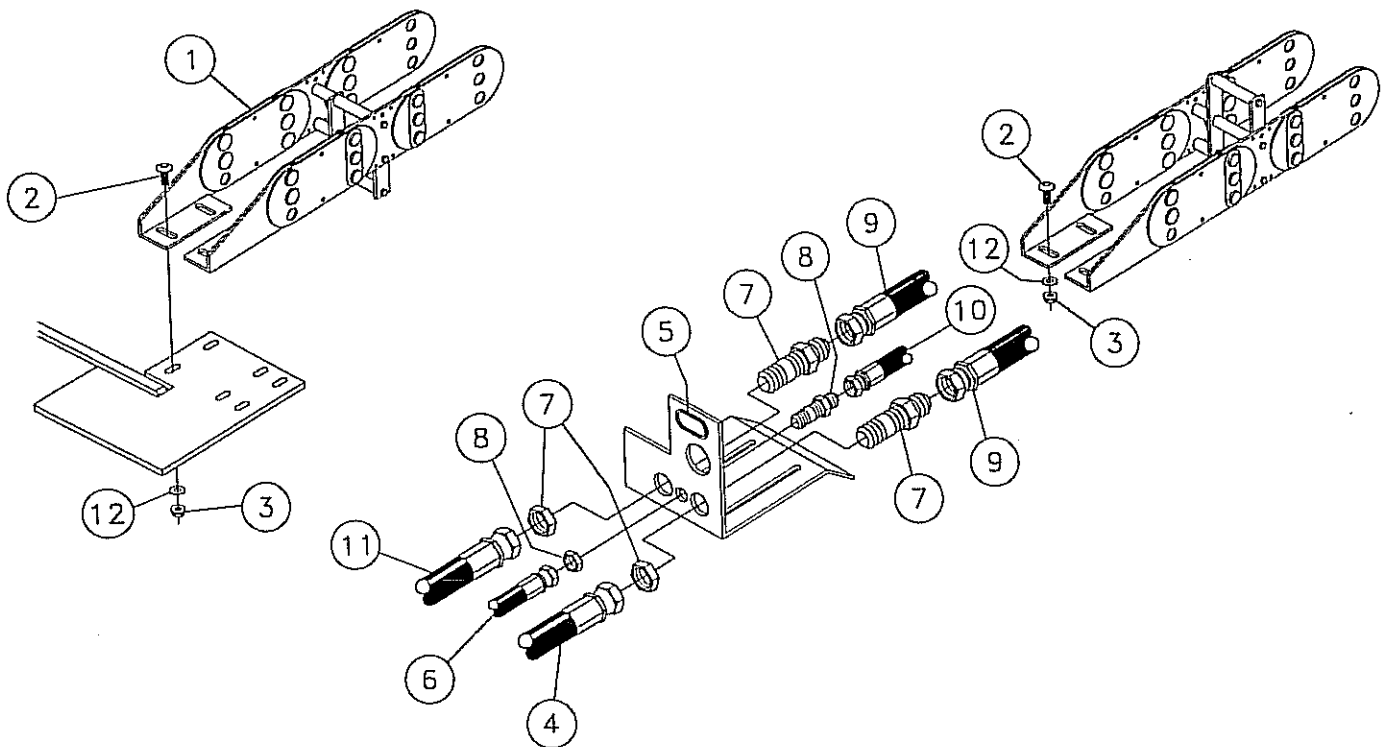


REF. NO.	PART NO.	DESCRIPTION	QTY.
3-30	1	53845-753 HOSE-3/4X82 12FSJIC 90/ST 5000	1
3-30	2	60718-001 12M JICX12M ADJ.45 DEG.EL	1
3-30	3	4475-006 BOLT-3/8-16X3/4 FLG WHIZ	4
3-30	4	224404-001 MOUNT-FILTER	1
3-30	5	4536-001 NUT - 3/8-16 FLG. WHIZ LOCK	2
3-30	6	224400-001 FILTER-HIGH PRESSURE (INC. ELEMENT)	1
		224400-003 ELEMENT-HIGH PRESSURE 6000PSI	1
		224400-005 RING-HEAD TO BOWEL	1
3-30	7	53845-791 HOSE 3/4X42 12JIC16/62/90 5000	1
3-30	8	53828-001 #12M O-RING-#12M JIC ST.	1
3-30	9	4475-010 BOLT-3/8-16X1 FLANGE WHIZ	2

24450-013

HOSE CARRIER/BULKHEAD ASSEMBLY

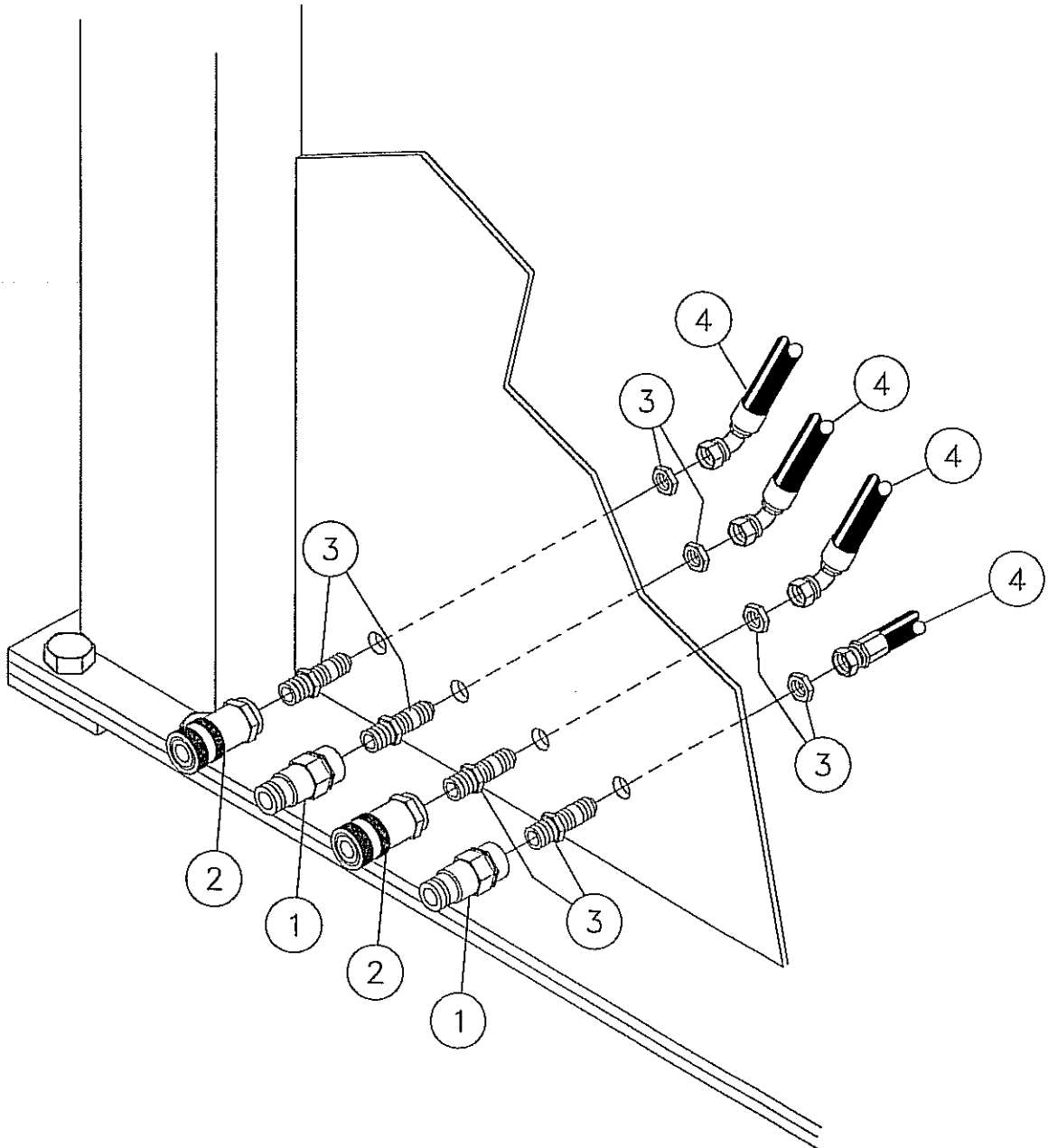
Figure 3-31



REF. NO.	PART NO.	DESCRIPTION	QTY.
3-31	1	234256-001 HOSE CARRIER-15.0 X 5.0 (BREAKDOWN FIG. 3-49)	1
3-31	2	375-010 BOLT-3/8"-16X1"GD#5 CARRIAGE	8
3-31	3	4536-001 NUT - 3/8-16 FLG. WHIZ LOCK	8
3-31	4	53846-431 HOSE 1X79 16FSJIC16/62/60D6000	1
3-31	5	1865-055 GROMMET-1 1/2 IDX1 3/4 OD 1/4G	1
3-31	6	53842-147 HOSE-5/8X118 10FSJICSTR1500PSI	1
3-31	7	81698-001 FITTING-16MJIC BULKHEAD STR.	2
3-31	8	77734-001 FITTING-10M JIC BULKHEAD STR.	1
3-31	9	53846-469 HOSE-1X227 16FSJICST/ST 6000#	2
3-31	10	53842-515 HOSE-5/8X239 10FSJICST 3000PSI	1
3-31	11	53846-487 HOSE-1X79 16FSST 16/62/90 6000	1
3-31	12	485-007 WASHER-3/8 FLAT	8

TOOL BULKHEAD ASSEMBLY

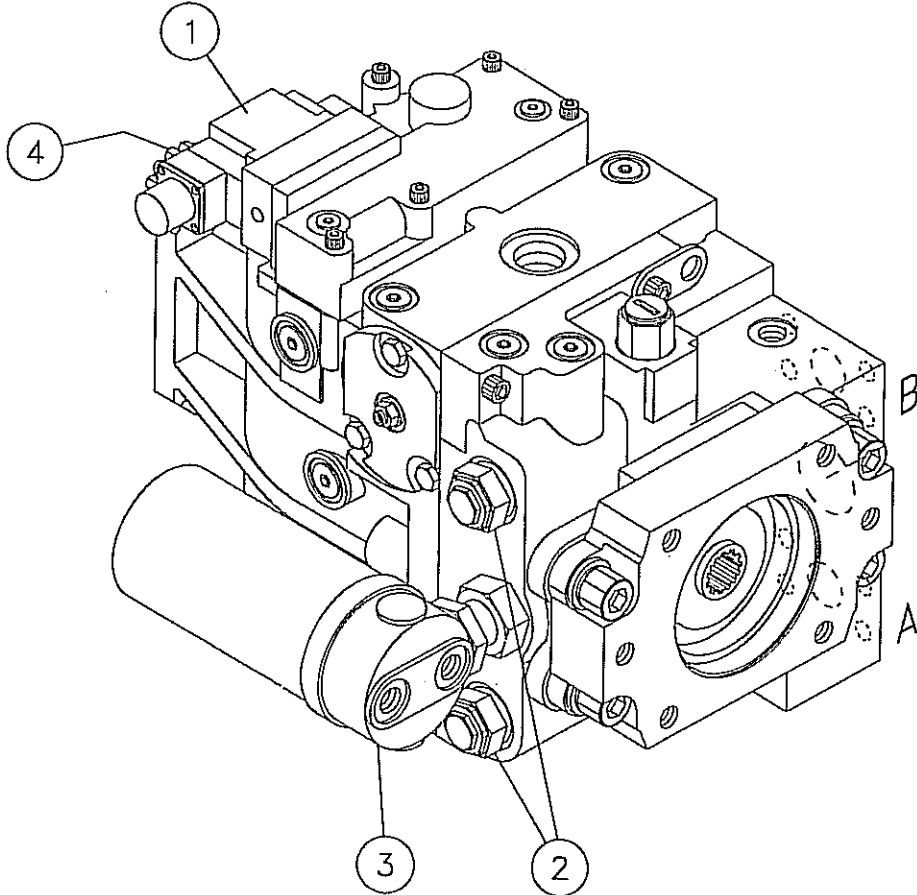
Figure 3-32



<u>REF. NO.</u>	<u>PART NO.</u>	<u>DESCRIPTION</u>	<u>QTY.</u>
3-32	1	221503-001 COUPLER-3/8 NPT QUICK (MALE)	2
3-32	2	221504-001 COUPLER-3/8 NPT QUICK (FEMALE)	2
3-32	3	130987-001 FITTING-6MJIC/3/8MNPT BULKHEAD	4
3-32	4	57940-719 HOSE-3/8X21 6FSJICST/45D3000#	4

HYDRAULIC PUMP COMPONENTS

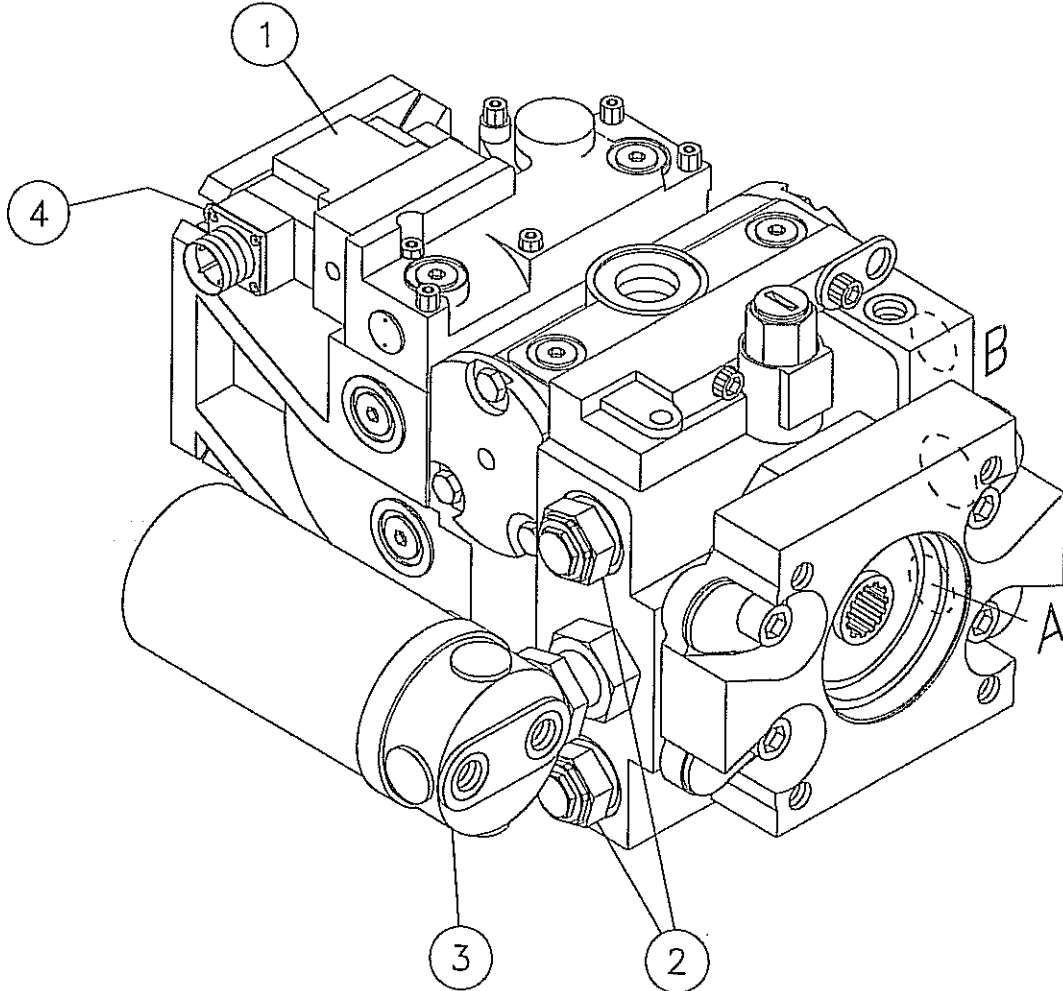
Figure 3-33



<u>REF. NO.</u>	<u>PART NO.</u>	<u>DESCRIPTION</u>	<u>QTY.</u>
3-33	1	224411-003 EDC KIT W/MS CONNECTOR (INC. GASKET & HARDWARE)	1
		224411-005 GASKET-CONTROL	1
3-33	2	+85642-007 VALVE-MULTI-FUNCTION	2
		85642-009 O-RING (OUTER)	1 per valve
		85642-011 O-RING (INNER)	1 per valve
3-33	3	85642-051 FILTRATION-INTEGRAL SHT FILTER	1
		81902-001 FILTER-OIL	1
3-33	4	98688-009 LIP SEAL	1
		98688-011 SEAL-CARRIER	1
		98688-013 O-RING	1
	224411-001	PUMP-HYD. (COMPLETE)	
	+	SPECIFY PRESSURE SETTING (PRESSURE SETTING IS 50570 PSI)	

HYDRAULIC PUMP COMPONENTS

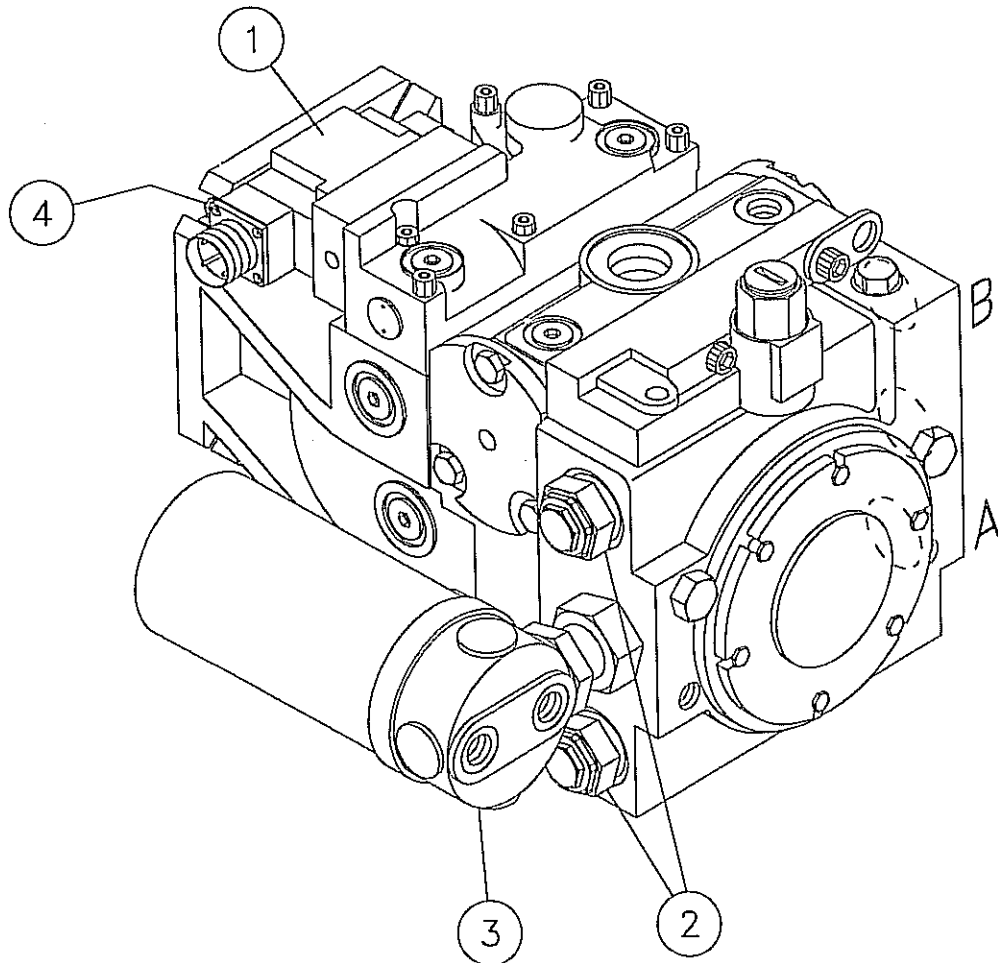
Figure 3-34



<u>REF. NO.</u>	<u>PART NO.</u>	<u>DESCRIPTION</u>	<u>QTY.</u>
3-34	1	224413-003 EDC KIT W/MS CONNECTOR (INC. GASKET & HARDWARE)	1
		224413-005 GASKET-CONTROL	1
		85642-021 PRESSURE CONTROL PILOT VALVE	1
3-34	2	+85642-007 VALVE-MULTI-FUNCTION	2
		85642-009 O-RING (OUTER)	1 per valve
		85642-011 O-RING (INNER)	1 per valve
3-34	3	85642-051 FILTRATION-INTEGRAL SHT FILTER	1
		81902-001 FILTER-OIL	1
3-34	4	98688-009 LIP SEAL	1
		98688-011 SEAL-CARRIER	1
		98688-013 O-RING	1
		224413-001 PUMP-HYD. (COMPLETE)	
		+ SPECIFY PRESSUER SETTING (PRESSURE SETTING IS 5070 PSI)	

HYDRAULIC PUMP COMPONENTS

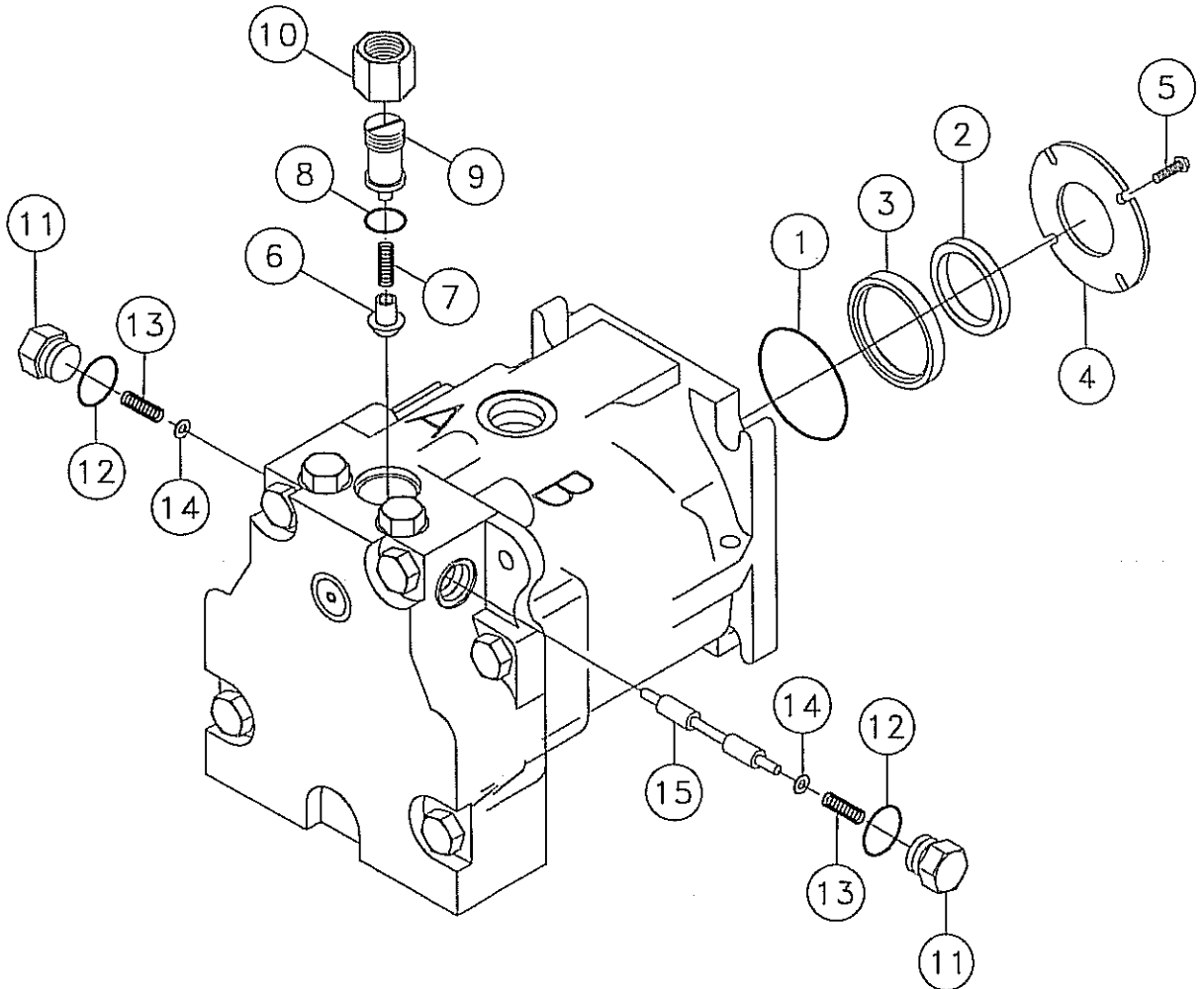
Figure 3-35



<u>REF. NO.</u>	<u>PART NO.</u>	<u>DESCRIPTION</u>	<u>QTY.</u>
3-35	1	224413-003 EDC KIT W/MS CONNECTOR (INC. GASKET & HARDWARE)	1
		224413-005 GASKET-CONTROL	1
		85642-021 PRESSURE CONTROL PILOT VALVE	1
3-35	2	+85642-007 VALVE-MULTI-FUNCTION	2
		85642-009 O-RING (OUTER)	1 per valve
		85642-011 O-RING (INNER)	1 per valve
3-35	3	85642-051 FILTRATION-INTEGRAL SHUT FILTER	1
		81902-001 FILTER-OIL	1
3-35	4	98688-009 LIP SEAL	1
		98688-011 SEAL-CARRIER	1
		98688-013 O-RING	1
	224412-001	PUMP-HYD. (COMPLETE)	
	+	SPECIFY PRESSURE SETTING (PRESSURE SETTING IS 3300 PSI)	

HYDRAULIC MOTOR COMPONENTS

Figure 3-36

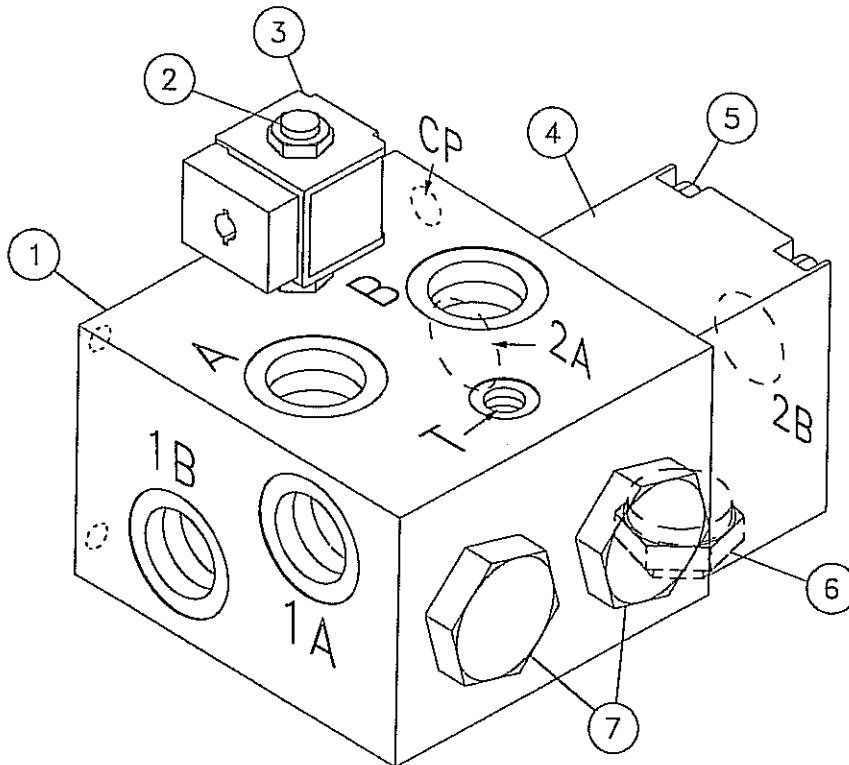


<u>REF. NO.</u>	<u>PART NO.</u>	<u>DESCRIPTION</u>	<u>QTY.</u>
3-36	1	114282-007 O-RING	1
3-36	2	114282-005 LIP SEAL	1
3-36	3	114282-003 SEAL CARRIER	1
3-36	4	131494-019 RETAINER PLATE	1
3-36	5	85642-087 SCREW-INT.HEX	3
3-36	6	131494-023 CHARGE RELIEF POPPET	1
3-36	7	131494-025 SPRING	1
3-36	8	68659-011 O-RING	1
3-36	9	131494-027 CHARGE RELIEF PLUG	1
3-36	10	234266-003 NUT	1
3-36	11	131494-017 SPECIAL PLUG	2
3-36	12	57941-093 O-RING	2
3-36	13	131494-015 SPRING	2
3-36	14	131494-013 SPECIAL WASHER	2
3-36	15	131494-011 SHUTTLE VALVE SPOOL	1

204731-001 MOTOR-HYD (COMPLETE)

SOLENOID SELECTOR VALVE COMPONENTS

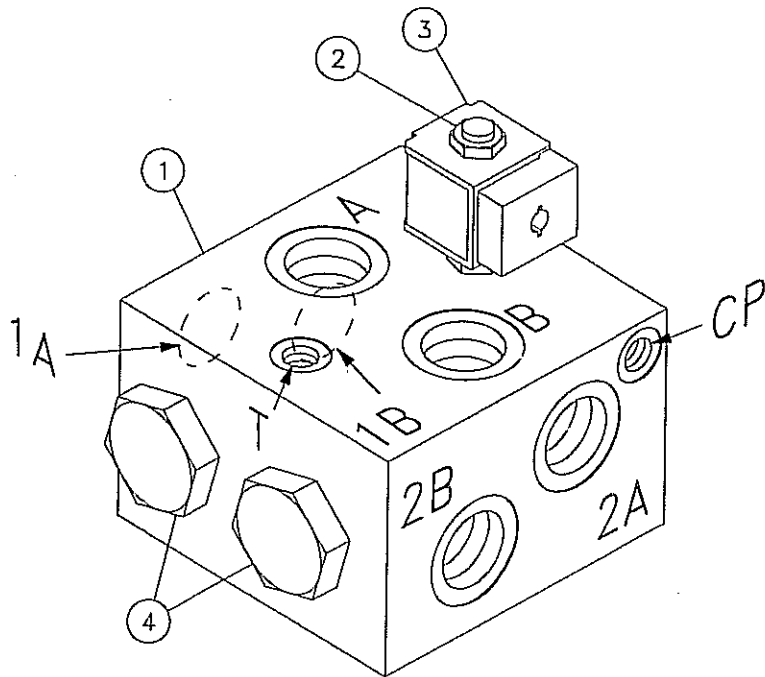
Figure 3-37



<u>REF. NO.</u>	<u>PART NO.</u>	<u>DESCRIPTION</u>	<u>QTY.</u>
3-37	1	224292-003 BODY	1
3-37	2	207418-007 SOLENOID VALVE	1
		207418-009 REPAIR KIT-SOLENOID VALVE	
3-37	3	207418-005 SOLENOID VALVE COIL-2 POST	1
3-37	4	224292-005 BODY	1
3-37	5	4478-024 3/8-16X2 1/2 SOCK HD.	4
3-37	6	224292-007 CHECK VALVE	1
		231770-001 SEAL KIT	
3-37	7	224292-009 DIVERTER VALVE	2
		231771-001 SEAL KIT	
	224292-001	VALVE-SOLENOID SELECT (INC. REF. 1-7)	

SOLENOID SELECTOR VALVE COMPONENTS

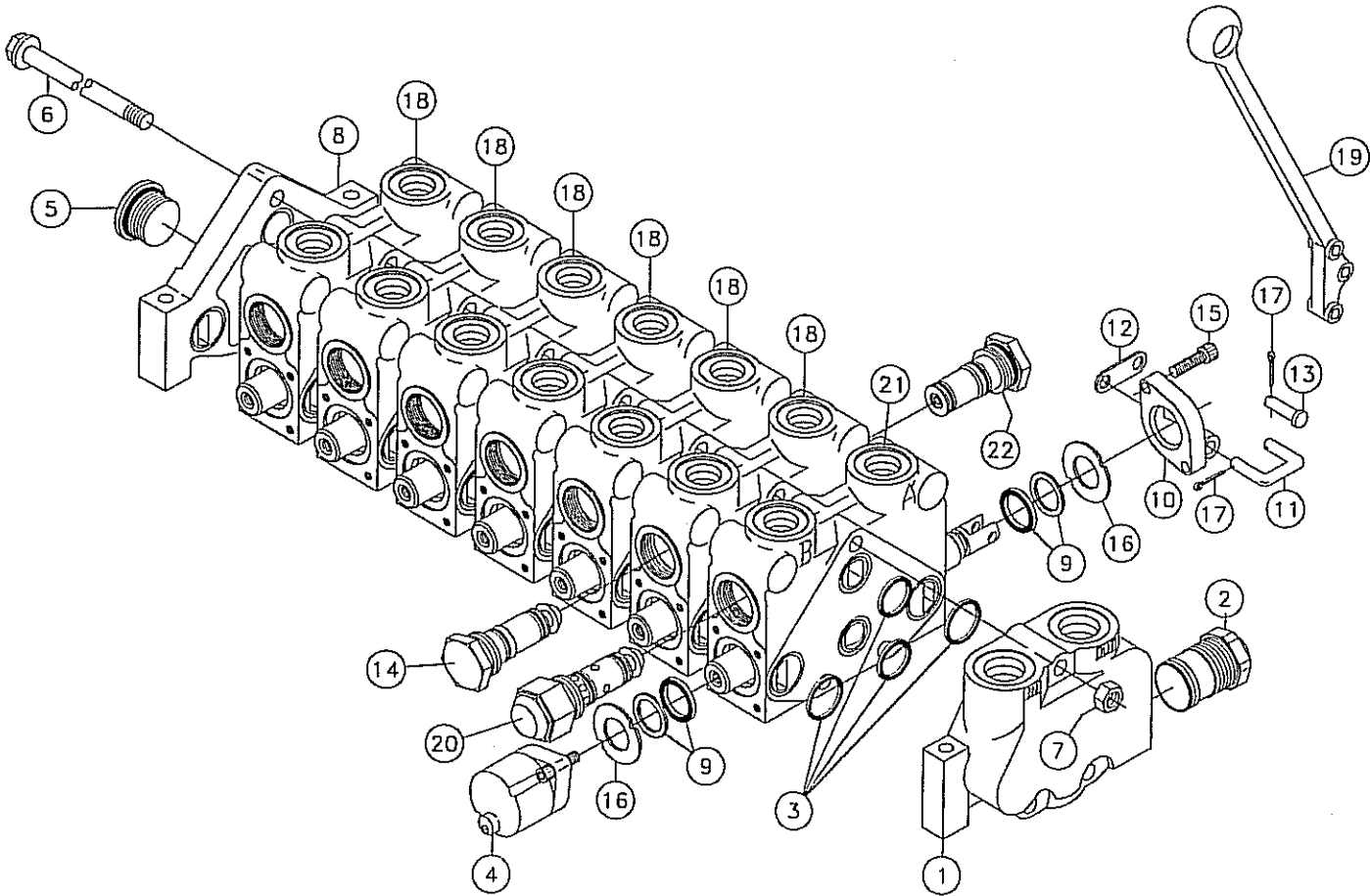
Figure 3-38



<u>REF. NO.</u>	<u>PART NO.</u>	<u>DESCRIPTION</u>	<u>QTY.</u>
3-38	1	224292-003 BODY	1
3-38	2	207418-007 SOLENOID VALVE	1
		207418-009 REPAIR KIT-SOLENOID VALVE	
3-38	3	207418-005 SOLENOID VALVE COIL-2 POST	1
3-38	4	224292-009 DIVERTER VALVE	2
		231771-001 SEAL KIT	
	224307-001	VALVE-SOLENOID SELECTOR (INC. REF. 1-4)	

CONTROL VALVE COMPONENTS

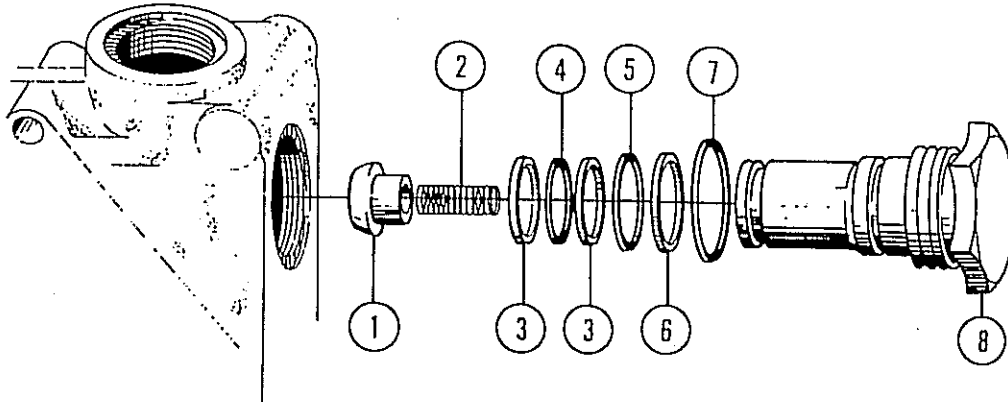
Figure 3-39



REF. NO.	PART NO.	DESCRIPTION	QTY.	REF. NO.	PART NO.	DESCRIPTION	QTY.
3-39	1	102975-001 LEFT COVER ASSY (INC. REF. 2)	1	3-39	15	79704-001 SCREW-1/4-20X7/8 SOC HD SELFLK	14
3-39	2	901057-003 WH MAIN RELIEF (3000PSI) (BREAKDOWN FIG. 3-41)	1	3-39	16	3147-081 RETAIN-PLT WASH GRN 6752-001	14
3-39	3	3147-079 REPAIR KIT-CP VALVE	8	3-39	17	510-035 PIN-3/32 X 1/2 COTTER	21
3-39	4	6149-005 POSITIONER-STD. (BREAKDOWN FIG. 3-42)	7	3-39	18	244519-003 BODY ASSY-CENTER SECTION (INC. ONE OF REF. 3, 4, 9-11, 13, 14 & 22, TWO OF REF. 15, 16 & THREE OF REF. 17)	6
3-39	5	98108-011 PLUG-1 15/16-12 UNF SOCKHD 3152-013 SEAL-O-RING	1	3-39	19	3147-039 HANDLE - CP VALVE - #1802-001	3
3-39	6	68386-001 STUD KIT-7 SPOOL (INC. REF. 7)	1	3-39	20	89275-007 RC PORT RELIEF (BREAKDOWN FIG. 3-44)	
3-39	7	446-001 NUT-3/8 NF HEX	3	3-39	21	244519-005 BODY ASSY-CENTER SECTION (INC. ONE OF REF. 3, 4, 9-11, 13, 20 & 22, TWO OF REF. 15 & 16 & THREE OF REF. 17)	1
3-39	8	219120-011 RIGHT COVER PLATE (INC. ONE OF REF. 3 & 5)	1	3-39	22	238196-001 CARTRIDGE-ANTI-DRIFT (BREAKDOWN FIG. 3-43)	1
3-39	9	3147-077 REPAIR KIT	7				
3-39	10	3147-029 BRACKET	7				
3-39	11	4333-003 LINK- (INC. REF. 12)	7				
3-39	12	4333-005 PLATE-LINK	7				
3-39	13	2110-003 PIN-CLEVIS 1/4X7/8 - 47/64 UL	7				
3-39	14	3147-035 PLUG-LOAD CHECK STEEL (BREAKDOWN FIG. 3-40)	6				
						244519-001 VALVE-7 SECT V20 PRESSURE COMP (INC. ALL ITEMS IN FIGURE)	

LOAD CHECK PLUG COMPONENTS

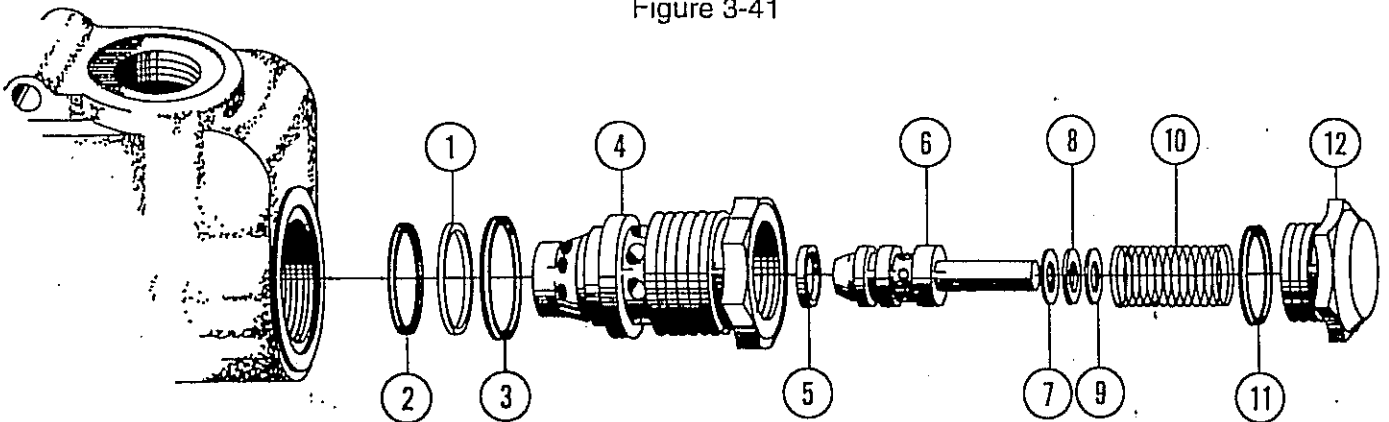
Figure 3-40



REF. NO.	PART NO.	DESCRIPTION	QTY.	REF. NO.	PART NO.	DESCRIPTION	QTY.
3-40	1	3128-009 POPPET-CHECK	1	3-40	7	NSS O-RING	1
3-40	2	3147-041 SPRING-CHECK	1	3-40	8	3147-043 PLUG-LIFT CHECK	1
3-40	3	NSS WASHER-BACKUP (INNER)	2				
3-40	4	NSS O-RING	1				
3-40	5	NSS O-RING	1				
3-40	6	NSS WASHER-BACKUP (OUTER)	1				
					87396-001	PLUG-LOAD CHECK LESS POPPET (INC. REF. 3-8)	
					3147-035	PLUG-LOAD CHECK STEEL (INC. ALL ITEMS IN THIS FIGURE)	
					3147-037	REPAIR KIT (INC. REF. 3-7)	

WH MAIN RELIEF COMPONENTS

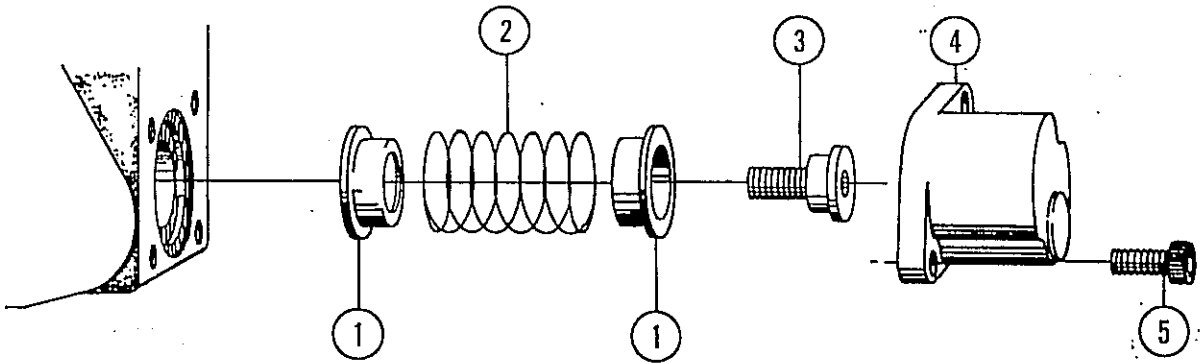
Figure 3-41



REF. NO.	PART NO.	DESCRIPTION	QTY.	REF. NO.	PART NO.	DESCRIPTION	QTY.
3-41	1	NSS RING-BACKUP	1	3-41	9	208-015 SHIM-.040	A/R
3-41	2	NSS SEAL-O-RING	1	3-41	10	86323-005 SPRING-SS2000-3000 PSI	1
3-41	3	NSS SEAL-O-RING	1	3-41	11	NSS SEAL-O-RING	1
3-41	4	15844-009 BODY - WH RELIEF	1	3-41	12	3147-027 CAP	1
3-41	5	NSS RING-PISTON	1				
3-41	6	NSS POPPET	1				
3-41	7	208-019 SHIM-.010	A/R				
3-41	8	208-017 SHIM-.020	A/R				
					3147-011	SERVICE KIT (INC. REF 5 & 6)	
					15844-007	REPAIR KIT (INC. REF. 1, 3 & 11)	
					901057-003	WH MAIN RELIEF (3000 PSI) (INC. ALL ITEMS IN THIS FIGURE)	

STANDARD SPOOL POSITIONER COMPONENTS

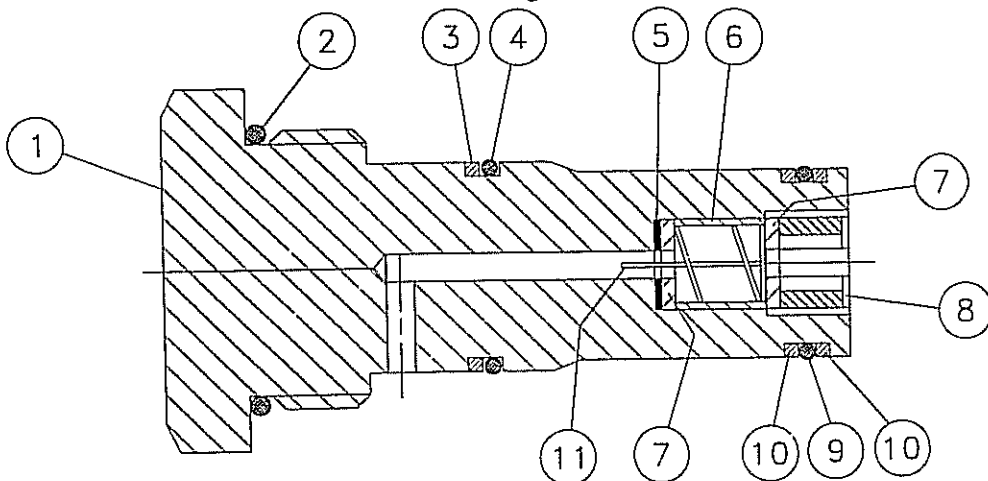
Figure 3-42



REF. NO.	PART NO.	DESCRIPTION	QTY.
3-42	1	3149-005 COLLAR-SPRING	2
3-42	2	6149-057 SPRING-RETURN	1
3-42	3	3149-013 COLLAR-SPOOL	1
3-42	4	6149-043 BONNET	1
3-42	5	79704-001 SCREW-1/4-20X7/8 SOC HD SELFLK	2
	6149-005	POSITIONER-STD. (INC. ALL ITEMS IN THIS FIGURE)	

ANTI-DRIFT CARTRIDGE COMPONENTS

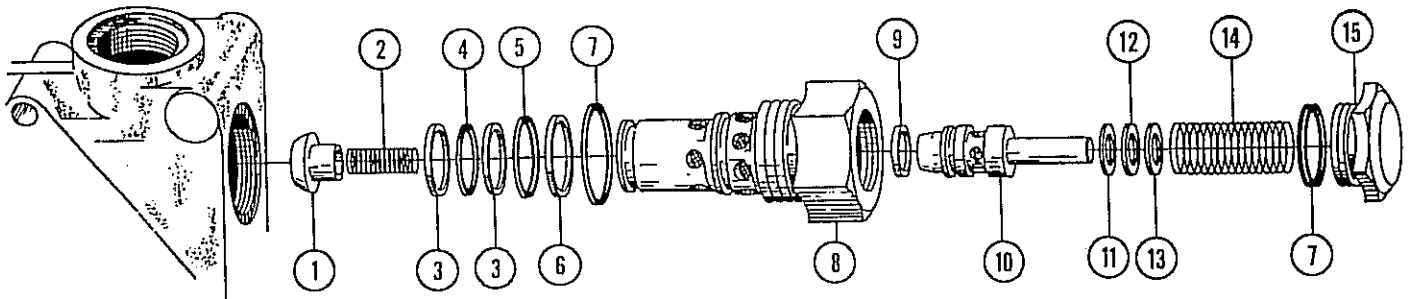
Figure 3-43



REF. NO.	PART NO.	DESCRIPTION	QTY.	REF. NO.	PART NO.	DESCRIPTION	QTY.
3-43	1	238196-003 PLUG-BLEED OFF	1	3-43	8	238196-011 SCREW-LOCKING	1
3-43	2	NSS SEAL-O-RING	1	3-43	9	NSS SEAL-O-RING	1
3-43	3	NSS RING-BACKUP	1	3-43	10	NSS RING-BACKUP-CUT	2
3-43	4	NSS SEAL-O-RING	1	3-43	11	238196-013 SPRING	1
3-43	5	238196-005 WASHER-BLEED OFF	1				
3-43	6	238196-007 SPACER	1		238196-001	CARTRIDGE-ANTI-DRIFT (INC. ALL ITEMS IN FIGURE)	
3-43	7	238196-009 WASHER-BACK UP	2		3147-037	REPAIR KIT (INC. REF. 2-4, 9, 10)	

RC PORT RELIEF COMPONENTS

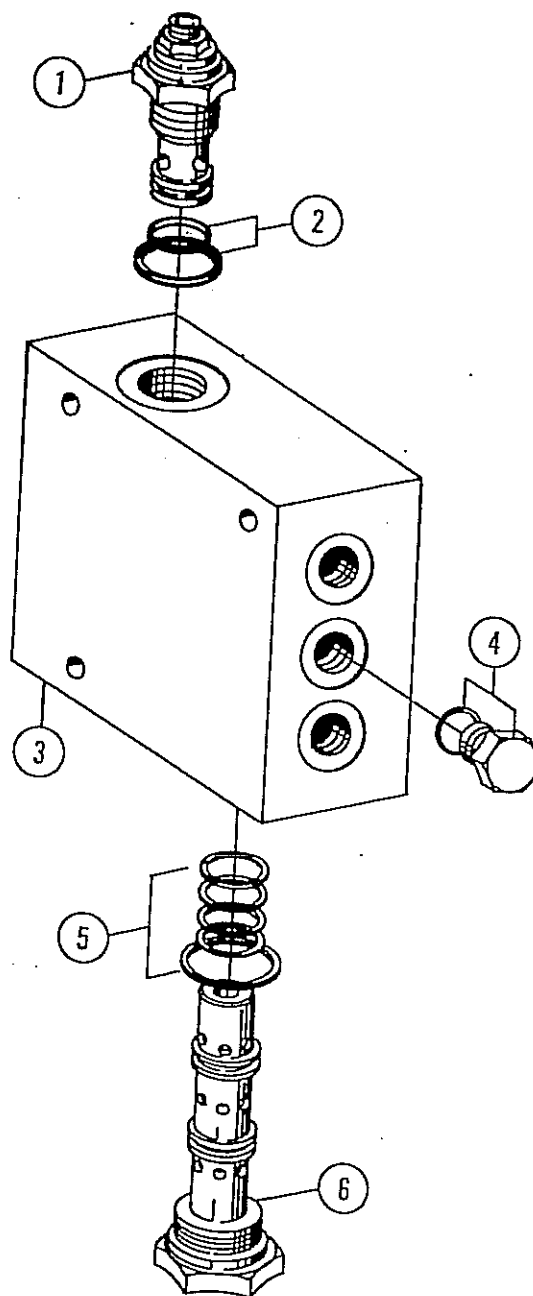
Figure 3-44



REF. NO.	PART NO.	DESCRIPTION	QTY.
3-44	1	3128-009 POPPET-CHECK	1
3-44	2	3147-041 SPRING-CHECK	1
3-44	3	NSS WASHER-BACKUp	2
3-44	4	NSS O-RING	1
3-44	5	NSS O-RING	1
3-44	6	NSS WASHER-BACKUP	1
3-44	7	NSS O-RING	2
3-44	8	3159-007 BODY-RELIEF	1
3-44	9	NSS RING-PISTON	1
3-44	10	NSS POPPET-RELIEF	1
3-44	11	208-019 SHIM - .010	A/R
3-44	12	208-017 SHIM - .020	A/R
3-44	13	208-015 SHIM - .040	A/R
3-44	14	3147-023 SPRING-YELLOW	1
		86323-005 SPRING-SS 2000-3000 PSI	1
3-44	15	3147-027 CAP	1
	89275-007	RC PORT RELIEF-1800 PSI (INC. ALL ITEMS IN THIS FIGURE)	
	3159-005	REPAIR KIT (INC. REF. 3-7)	
	3147-011	SERVICE KIT (INC. REF. 9 & 10)	
	NSS	NOT SOLD SEPARATELY	

SHUTTLE VALVE COMPONENTS

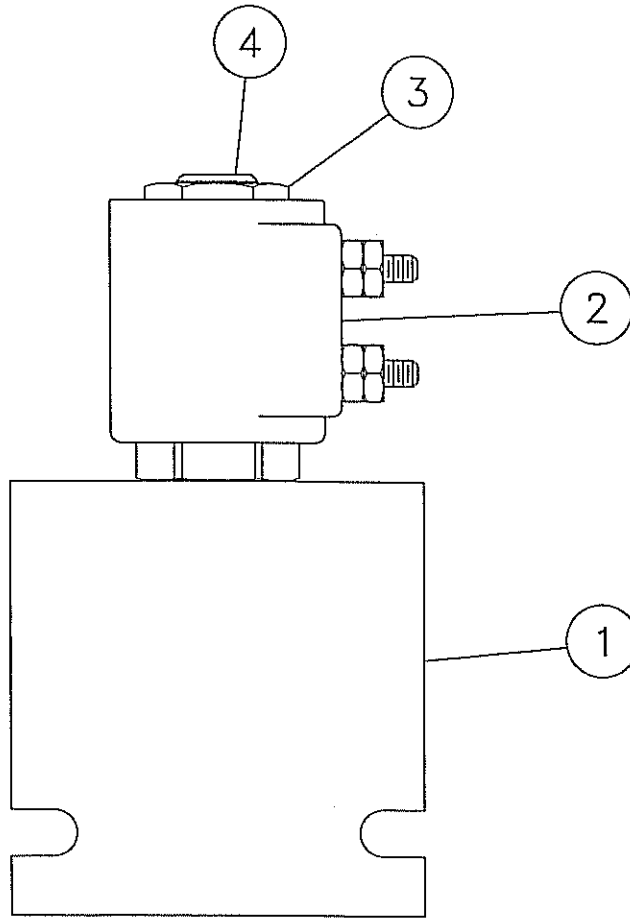
Figure 3-45



<u>REF. NO.</u>	<u>PART NO.</u>	<u>DESCRIPTION</u>	<u>QTY.</u>
3-45	1	902012-003 VALVE-RELIEF	1
3-45	2	202731-001 REPAIR KIT-RELIEF VALVE	1
3-45	3	902012-005 BODY-VALVE	1
3-45	4	901562-015 PLUG-9/16\"-18 UNF	1
3-45	5	204954-001 REPAIR KIT-SHUTTLE VALVE	1
3-45	6	901562-011 VALVE-SHUTTLE	1
	902012-001	VALVE-SHUTTLE (INC. ALL ITEMS IN THIS FIGURE)	

SOLENOID VALVE COMPONENTS

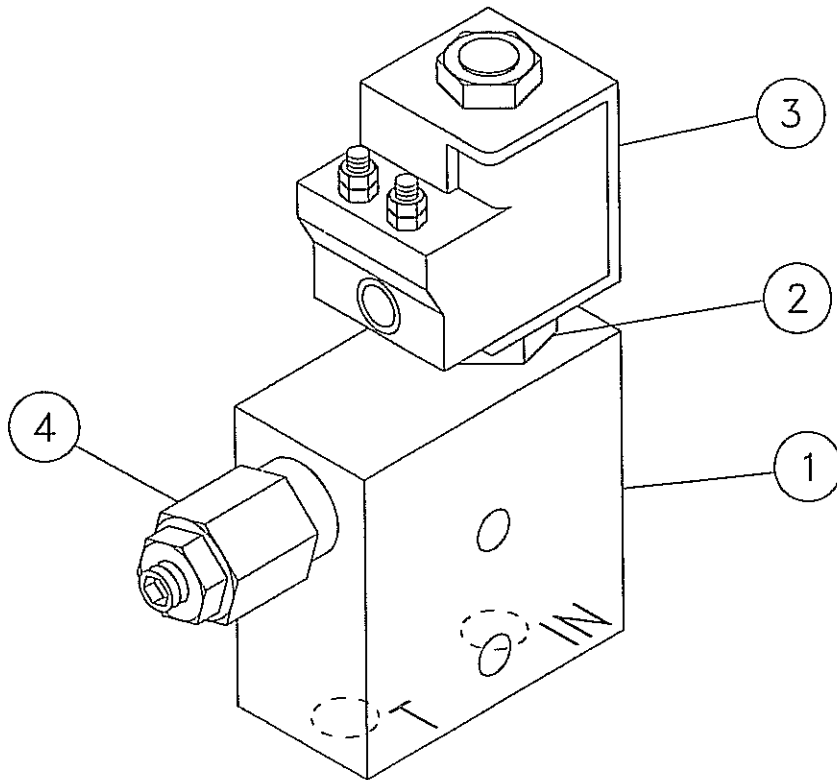
Figure 3-46



<u>REF. NO.</u>	<u>PART NO.</u>	<u>DESCRIPTION</u>	<u>QTY.</u>
3-46	1	239443-003 BODY-VALVE	1
3-46	2	228128-007 COIL	1
3-46	3	904525-011 NUT-COIL	1
3-46	4	228124-017 CARTRIDGE-SOLENOID	1
		110467-003 SEAL KIT	
	239443-001	VALVE-2 POS. 3 WAY (INC. ALL ITEMS IN THIS FIGURE)	

PRESSURE LIMITER VALVE COMPONENTS

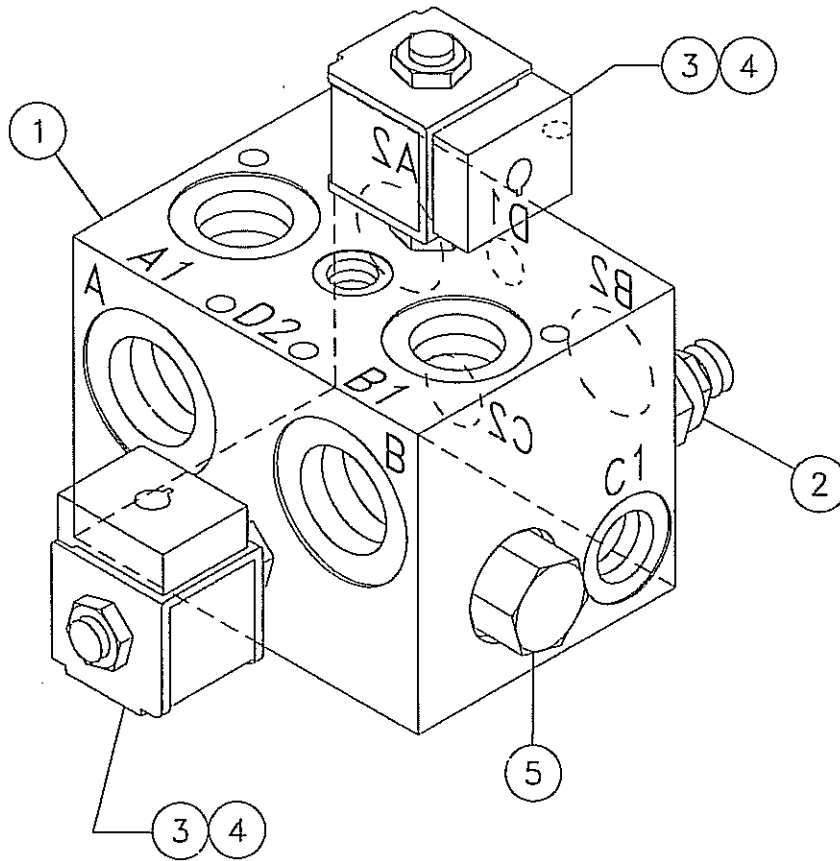
Figure 3-47



<u>REF. NO.</u>	<u>QTY.</u>	<u>PART NO.</u>	<u>DESCRIPTION</u>
3-47	1	228114-003	BODY-MANIFOLD
3-47	2	228114-005	CARTRIDGE
		228114-007	SEAL KIT
3-47	3	228114-009	COIL
3-47	4	228114-011	VALVE RELIEF
		85647-025	REPAIR KIT
		228114-001	VALVE-REMOTE PRESSURE LIMITER (INC. ALL ITEMS IN THIS FIGURE)

LOOP FLUSH VALVE COMPONENTS

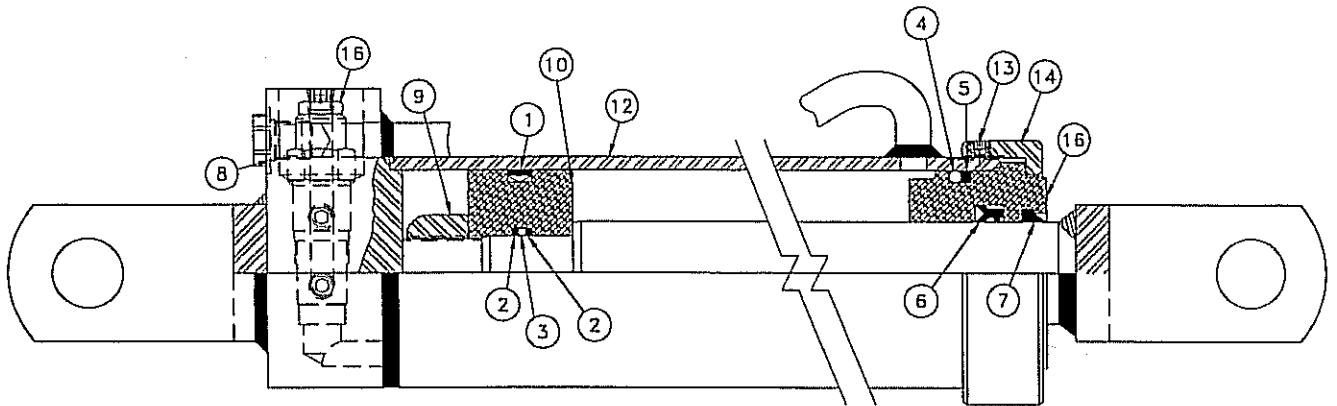
Figure 3-48



REF. NO.	PART NO.	DESCRIPTION	QTY.
3-48	1	228132-003 VALVE BODY	1
3-48	2	224476-007 RELIEF VALVE	1
		224476-009 SEAL KIT	
3-48	3	224476-005 CARTRIDGE-VALVE	2
		207418-009 REPAIR KIT-SOLENOID VALVE	
3-48	4	207418-005 SOLENOID VALVE COIL-2 POST	2
3-48	5	901562-011 VALVE-SHUTTLE	1
		204954-001 REPAIR KIT-SHUTTLE VALVE	
	228132-001	VALVE-3 SPEED LOOP FLUSH (INC. ALL ITEMS IN THIS FIGURE)	

HYDRAULIC CYLINDER COMPONENTS - 3" X 40"

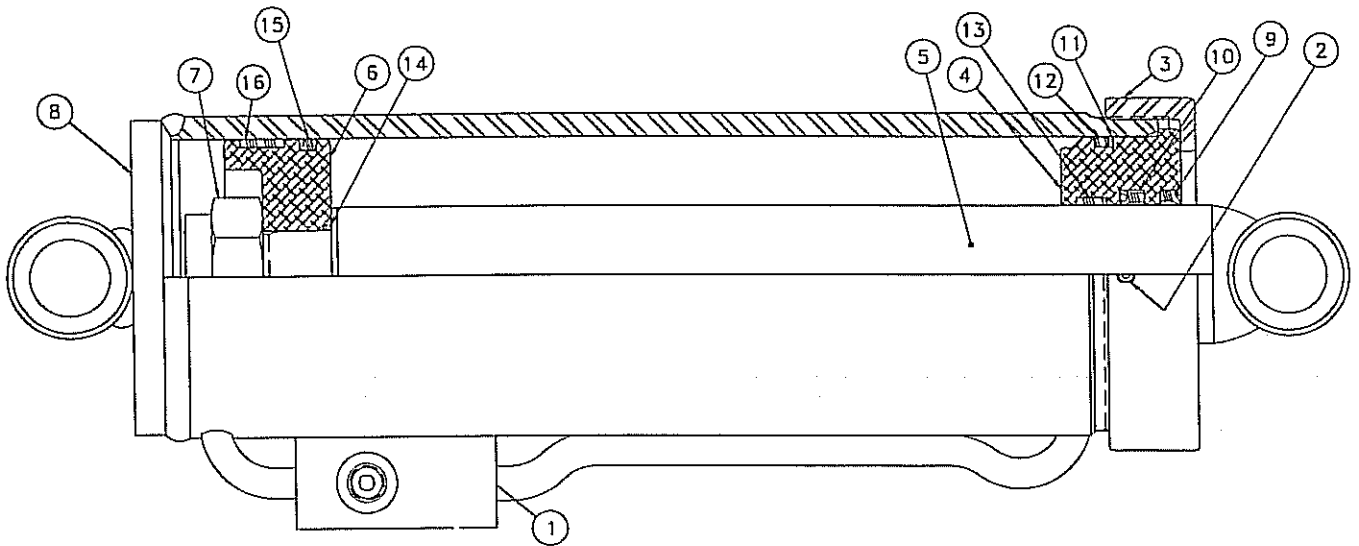
Figure 3-49



REF. NO.	PART NO.	DESCRIPTION	QTY.
3-49	1	200780-001 UNI-RING	1
3-49	2	208331-001 RING-BACK UP	2
3-49	3	208332-001 O-RING	1
3-49	4	218021-011 O-RING	1
3-49	5	209057-001 WASHER-BACK UP	1
3-49	6	209058-001 U CUP-DOUBLE LIP	1
3-49	7	200808-001 WIPER 52-1500	1
3-49	8	223998-003 O-RING	2
3-49	9	218496-007 LOCK NUT	1
3-49	10	209060-001 PISTON	1
3-49	11	224278-003 BARREL ASSEMBLY	1
3-49	12	224278-005 ROD ASSEMBLY	1
3-49	13	219125-011 NT SH SET SCREW	1
3-49	14	218496-013 THREADED CAP	1
3-49	15	207403-005 CAP HEAD-THREAD	1
3-49	16	58035-007 REPAIR KIT	1
		202529-001 VALVE CART. - CNTR BALANCE	1
		224278-001 CYL 3"X40" W/ CB VALVE COMPLETE (INC. REF. 1-16)	
		207403-009 SEAL KIT (INC. REF. 1-7)	

HYDRAULIC CYLINDER COMPONENTS - 4 1/2" X 12"

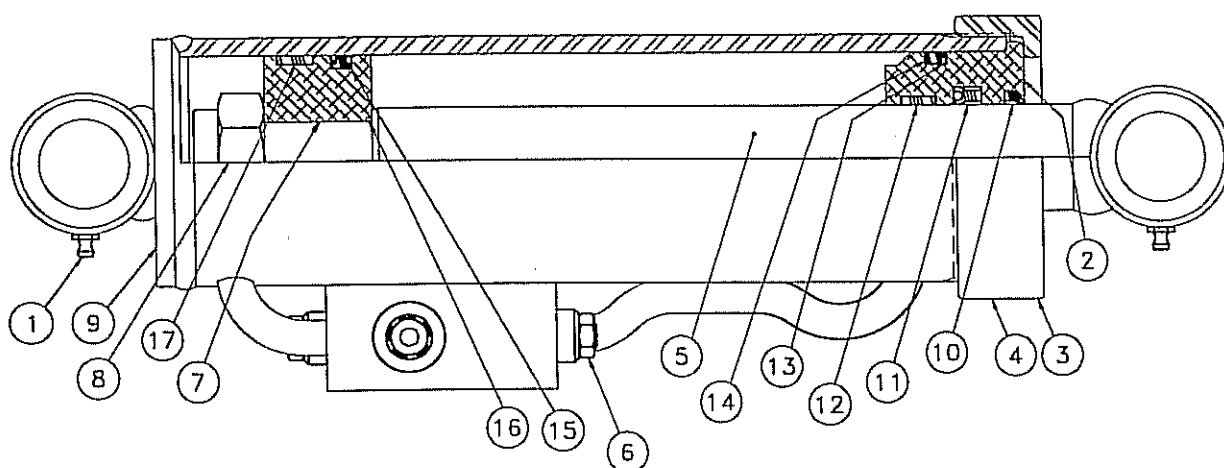
Figure 3-50



REF. NO.	PART NO.	DESCRIPTION	QTY.
3-50	1	216695-007 P.O. CHECK VALVE	2
3-50	2	99859-005 SCREW-LG SET .313-18 X .25	1
3-50	3	216695-009 HEAD GLAND CAP	1
3-50	4	216695-011 HEAD GLAND	1
3-50	5	216695-003 ROD WELDMENT	1
3-50	6	216695-013 PISTON	1
3-50	7	85777-031 NUT-1 1/2" 12 LOCK	1
3-50	8	216695-005 TUBE WELDMENT	1
3-50	9	215799-015 ROD WIPER	1
3-50	10	215799-013 POLYPAK	1
3-50	11	212568-019 BACKUP RING	1
3-50	12	212568-017 O-RING	1
3-50	13	215799-011 WEAR BAND	1
3-50	14	85923-023 O-RING	1
3-50	15	216695-015 T-SEAL	1
3-50	16	212568-009 WEAR BAND	1
	216695-001	CYLINDER-4 1/2"X12' COMPLETE (INC. REF. 1-16)	
	216695-017	SEAL KIT (INC. REF. 9-16)	

HYDRAULIC CYLINDER COMPONENTS - 3" X 12"

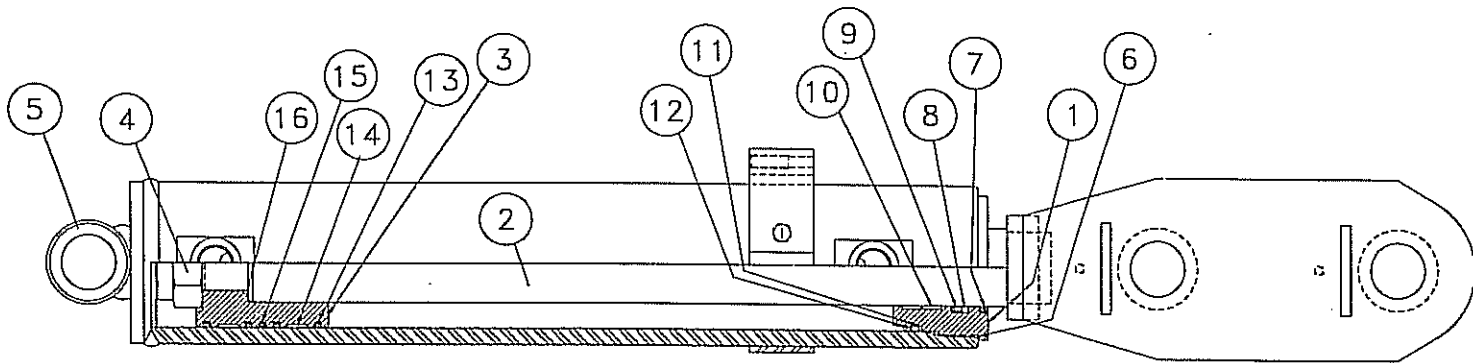
Figure 3-51



<u>REF. NO.</u>	<u>PART NO.</u>	<u>DESCRIPTION</u>	<u>QTY.</u>
3-51	1	224445-007 GREASE FITTING	2
3-51	2	224445-009 HEAD GLAND	1
3-51	3	99859-005 SCREW-LG SET .313-18 X .25	1
3-51	4	224445-011 HEAD GLAND CAP	1
3-51	5	224445-003 ROD WELDMENT	1
3-51	6	94488-033 VALVE-CHECK	2
3-51	7	224445-013 PISTON	1
3-51	8	110188-007 LOCKNUT-1.125-12	1
3-51	9	224445-005 TUBE WELDMENT	1
3-51	10	99541-019 ROD WIPER	1
3-51	11	99541-015 POLYPACK	1
3-51	12	224445-015 WEAR BAND	1
3-51	13	215657-023 BACKUP RING	1
3-51	14	215657-019 O-RING	1
3-51	15	221729-007 T-SEAL	1
3-51	16	110188-013 O-RING	1
3-51	17	215657-009 WEAR BAND	1
		224445-001 CYLINDER-3X12 HYD. COMPLETE (INC. REF. 1-17)	
		224445-017 SEAL KIT (INC. REF. 10-17)	

HYDRAULIC CYLINDER COMPONENTS - 5" X 96" W/3" ROD

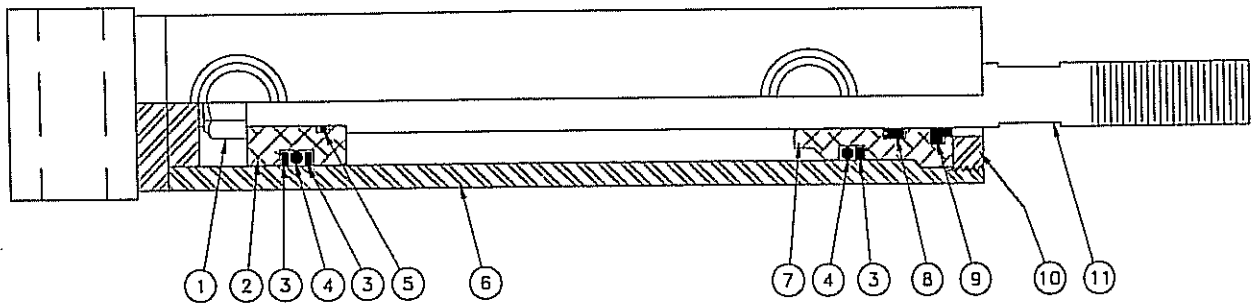
Figure 3-52



<u>REF. NO.</u>	<u>PART NO.</u>	<u>DESCRIPTION</u>	<u>QTY.</u>
3-52	1	224478-027 HEAD GLAND	1
3-52	2	224478-003 ROD WELDMENT	1
3-52	3	224478-007 PISTON	1
3-52	4	114215-007 LOCKNUT-2"-12	1
3-52	5	224478-005 TUBE WELDMENT	1
3-52	6	224478-009 O-RING	1
3-52	7	224478-011 CANNED ROD WIPER	1
3-52	8	224478-013 MODULAR BACKUP	1
3-52	9	224478-015 POLY PAK	1
3-52	10	224478-017 WEAR BAND	2
3-52	11	89540-011 WASHER-BACKUP	1
3-52	12	85777-019 O-RING	1
3-52	13	224478-019 CAST IRON RING	4
3-52	14	85777-029 WEARBAND	2
3-52	15	224478-021 PSP SEAL	1
3-52	16	224478-023 O-RING	1
	224478-001	CYLINDER-5X96 COMPLETE (INC. REF. 1-16)	
	224478-025	SEAL KIT (INC. REF. 6-16)	

HYDRAULIC CYLINDER COMPONENTS - 1" X 3 1/2"

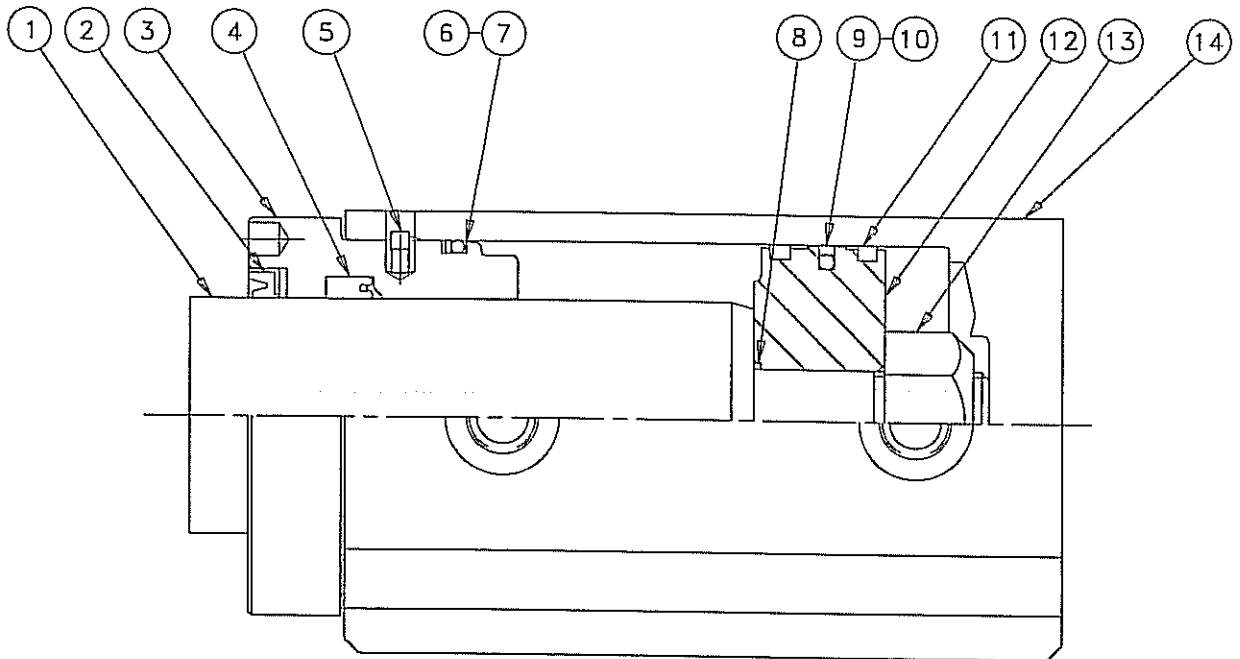
Figure 3-53



REF. NO.	PART NO.	DESCRIPTION	QTY.
3-53	1	234359-003 NUT	1
3-53	2	234359-005 PISTON	1
3-53	3	68094-057 WASHER-BACK-UP	3
3-53	4	68094-055 O-RING	2
3-53	5	1749-025 SEAL-O RING	1
3-53	6	234359-017 BARREL (W/CLEVIS AND PORTS)	1
3-53	7	234359-007 HEAD	1
3-53	8	234359-009 SEAL-ROD	1
3-53	9	234359-011 SEAL-DUST	1
3-53	10	234359-013 COLLAR	1
3-53	11	234359-015 SHAFT	1
	234359-001	CYLINDER-1X3 1/2 (INC. REF. 1-11)	
	234359-019	REPAIR KIT (INC. REF. 3, 4, 5, 8 & 9)	

HYDRAULIC CYLINDER COMPONENTS - DUAL

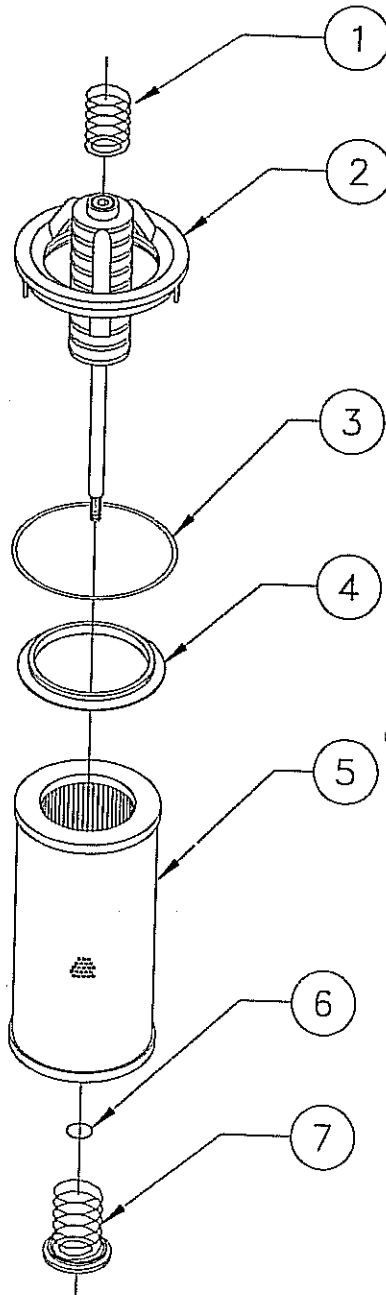
Figure 3-54



<u>REF. NO.</u>	<u>PART NO.</u>	<u>DESCRIPTION</u>	<u>QTY.</u>
3-54	1	234498-003 SHAFT	2
3-54	2	234498-005 WIPER	2
3-54	3	234498-007 HEAD	2
3-54	4	234498-009 U-CLIP	2
3-54	5	234498-011 RETAINER WIRE	2
3-54	6	234498-013 BACK-UP WASHER	2
3-54	7	234498-015 O-RING	2
3-54	8	234498-017 O-RING	2
3-54	9	234498-019 PISTON SEAL	2
3-54	10	234498-021 O-RING	2
3-54	11	234498-023 WEAR RING	4
3-54	12	234498-025 PISTON	2
3-54	13	234498-027 LOCKNUT	2
3-54	14	234498-029 CASE	1
	234498-001	CYLINDER-DUAL HYD. (INC. REF. 1-14)	
	234498-031	SEAL KIT (INC. REF. 2, 4-11)	

HYDRAULIC FILTER COMPONENTS

Figure 3-55



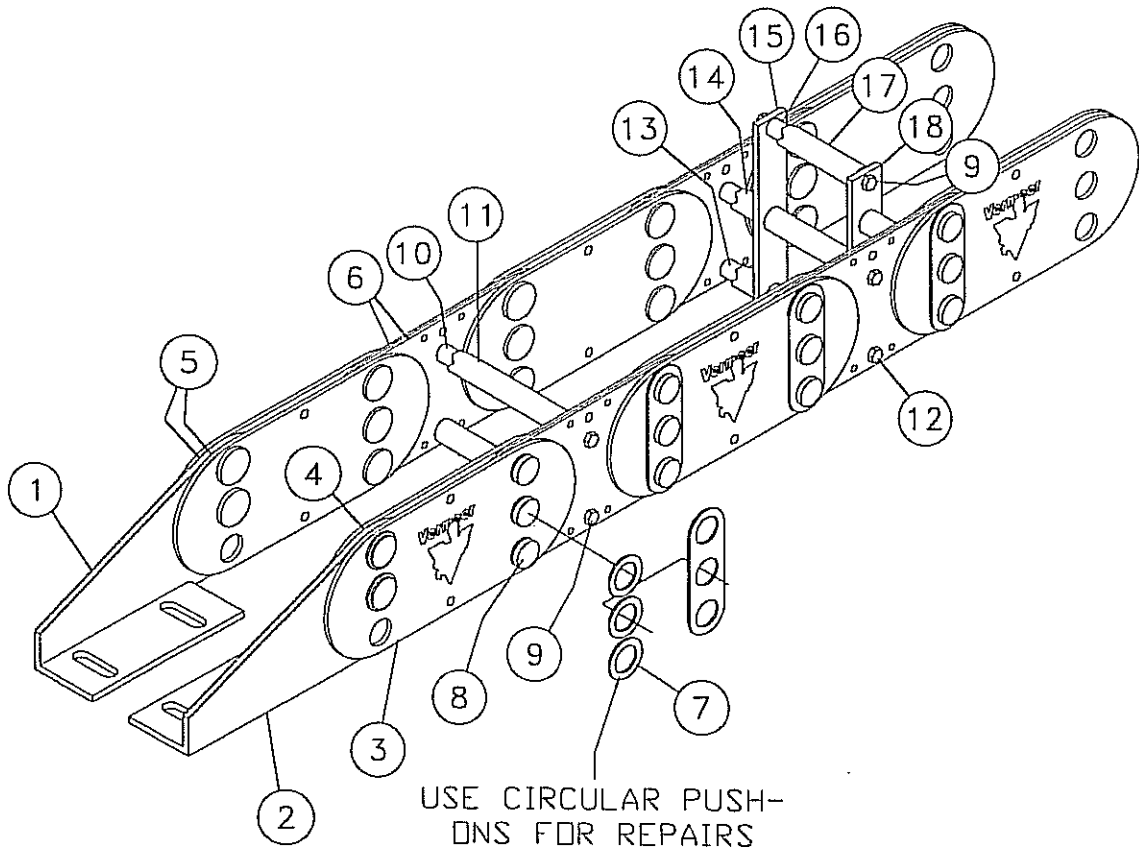
REF. NO.	PART NO.	DESCRIPTION	QTY.
3-55	1	89671-005 SPRING	1
3-55	2	89671-009 INSERT ASSEMBLY	1
3-55	3	89671-007 SEAL	1
3-55	4	89671-011 BYPASS GASKET	1
3-55	5	89671-003 ELEMENT-FILTER	1
3-55	6	89671-013 ELEMENT-O-RING	1
3-55	7	89671-015 BYPASS ASSEMBLY	1

89671-001 FILTER ASSEMBLY (INC. ALL ITEMS IN THIS FIGURE)

809 133-002

HOSE CARRIER COMPONENTS

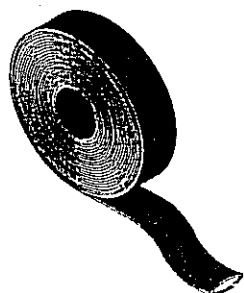
Figure 3-56



<u>REF. NO.</u>	<u>PART NO.</u>	<u>DESCRIPTION</u>	<u>QTY.</u>
3-56	1	234256-003 PT45E MOUNTING BRACKET ASSY (L)	2
3-56	2	234256-005 PT45E MOUNTING BRACKET ASSY(R)	2
3-56	3	234256-007 PT45E OUTER LINK W/VERMEERLOGO	44
3-56	4	234256-009 PT45E OUTER LINK	44
3-56	5	234256-011 PT45E ANTI-FRICTION DISC	176
3-56	6	234256-013 PT45E INNER LINK 15.0R VERMEER	84
3-56	7	234256-015 PT45E CIRCULAR PUSH-ON	252
3-56	8	234256-017 PT45E HINGE PIN-PUCH ON FASTNR	252
3-56	9	234256-019 BOLT-WHIZ LOCK .250-20 X .620	84
3-56	10	234256-021 CARRIER ROD PT35E/45E 5.288	2
3-56	11	234256-023 NYLON SLEEVE PT35E/45E 5.163	2
3-56	12	234256-025 BOLT-WHIZ LOCK .250-20X.88	42
3-56	13	234256-027 PT35E/45E CARRIER ROD 5.098	21
3-56	14	234256-029 PT35E/45E NYLON SLEEVE 1.829	42
3-56	15	234256-031 CARRIER PLATE WELDMENT	21
3-56	16	234256-033 PT35E/45E CARRIER ROD 2.954	21
3-56	17	234256-035 PT35E/45E NYLON SLEEVE 2.829	63
3-56	18	234256-037 CARRIER SIDE PLATE	21
	234256-001	HOSE CARRIER (COMPLETE) (INC. ALL ITEMS LISTED IN THIS FIGURE)	

MISCELLANEOUS SUPPLIES

Figure 3-57

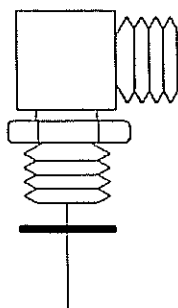
CORDURA SLEEVES

INSIDE DIAMETER	PART NUMBER
.71	83726-001
1.22	66094-001
1.42	67264-001
1.59	69129-001
1.81	53840-001
2.37	53841-001

NOTE: SPECIFY LENGTH WHEN ORDERING

TIE STRAPS

LENGTH	PART NUMBER
4 IN.	78657-001
6 IN.	18355-001
8 IN.	59634-001
15 IN.	58151-001

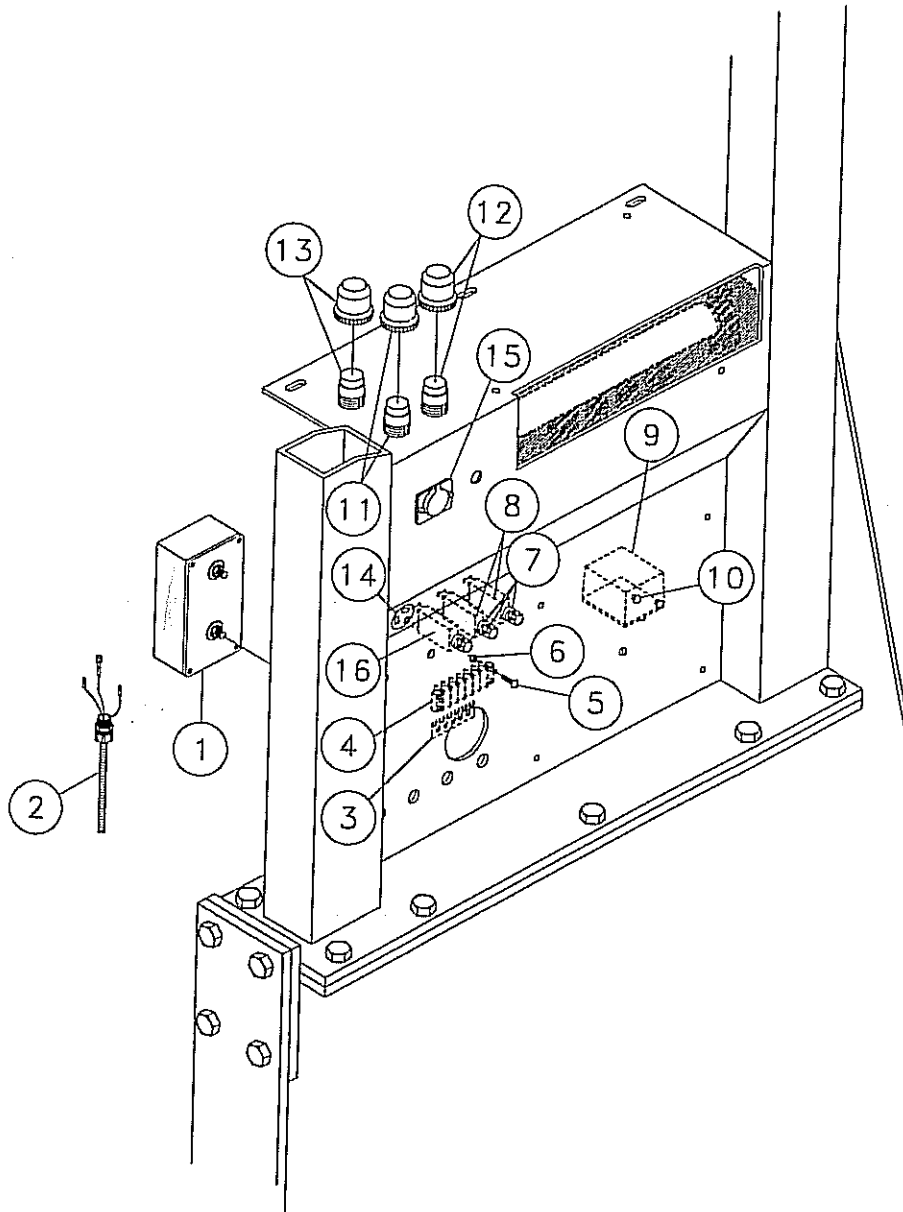
O-RINGS

SAE FITTING SIZE	REPLACEMENT O-RING PART NO.
4M	78185-027
5M	53649-081
6M	59088-057
8M	59088-053
10M	792-029
12M	3152-013
14M	3155-015
16M	81580-001
20M	93316-001

NOTE: O-RINGS LISTED ARE 90 DURAMETER

ROPS CONTROL PANEL ASSEMBLY

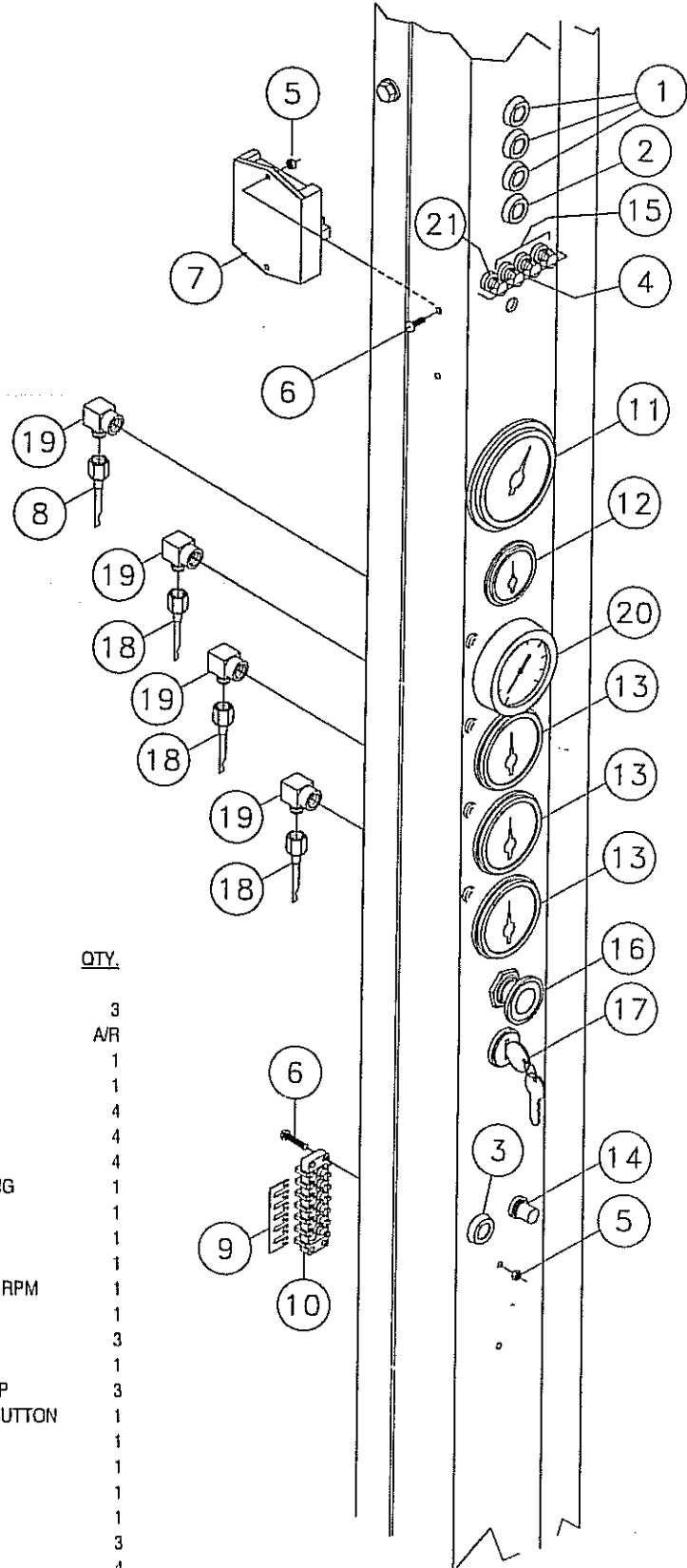
Figure 4-1



REF. NO.	PART NO.	DESCRIPTION	QTY.	REF. NO.	PART NO.	DESCRIPTION	QTY.
4-1	1	217231-001 ZAP ALERT-CURRENT SENSE	1		215996-001	BUTTON-BLACK EXTENDED CONTACT	1
4-1	2	224922-001 COIL-CURRENT(W/17'COAX CABLE)	1		215997-001	BOOT-BLACK RUBBER	1
4-1	3	26453-001 TERMINAL JUMPER-267-A42-6	1		215998-001	BLOCK-N.C. CONTACT	1
4-1	4	26452-001 TERMINAL-2006	1	4-1	13	215992-001 BUTTON-GREEN FLUSH CONTACT	1
4-1	5	1802-010 BOLT - 3/16" X 1" NC STOVE	2		215993-001	BOOT-GREEN RUBBER	1
4-1	6	400-001 NUT-3/16 NC HEX	2		904423-001	CONTACT BLOCK	1
4-1	7	89597-001 COVER-BREAKER SWITCH	3		226209-001	BUTTON ASSY-CURRENT TEST	1
4-1	8	78107-001 BREAKER-CIRCUIT 10AMP	2	4-1	14	904346-001 BUZZER	1
4-1	9	98937-001 SWITCH-MURPHY 12V/30 SEALED	1		905001-001	BOLT-8-32 X 2 STOVE	2
4-1	10	1802-006 BOLT-10-24 X 3/4 RND HD STOVE	2		904995-001	WASHER-8 INTERNAL STAR	2
4-1	11	215991-001 STRIKE ALERT TEST BUTTON ASSY	1		399-001	NUT-8-32 HEX	2
		215993-001 BOOT-GREEN RUBBER	1	4-1	15	236473-001 OUTLET-12 V STAINLESS	1
		215994-001 BLOCK-N.O. CONTACT	1		57200-001	SCREW-#8-32X1/2 RND.HD.MACH.	2
		215992-001 BUTTON-GREEN FLUSH CONTACT	1		69759-001	LOCK NUT-#8-32 NYLON INSERT PL	2
4-1	12	215995-001 STRIKE ALERT RESET BUTTON ASSY	1	4-1	16	72082-001 BREAKER 45-700-514-DD 22 AMP	1

ROPS CONTROL PANEL (CONTINUED)

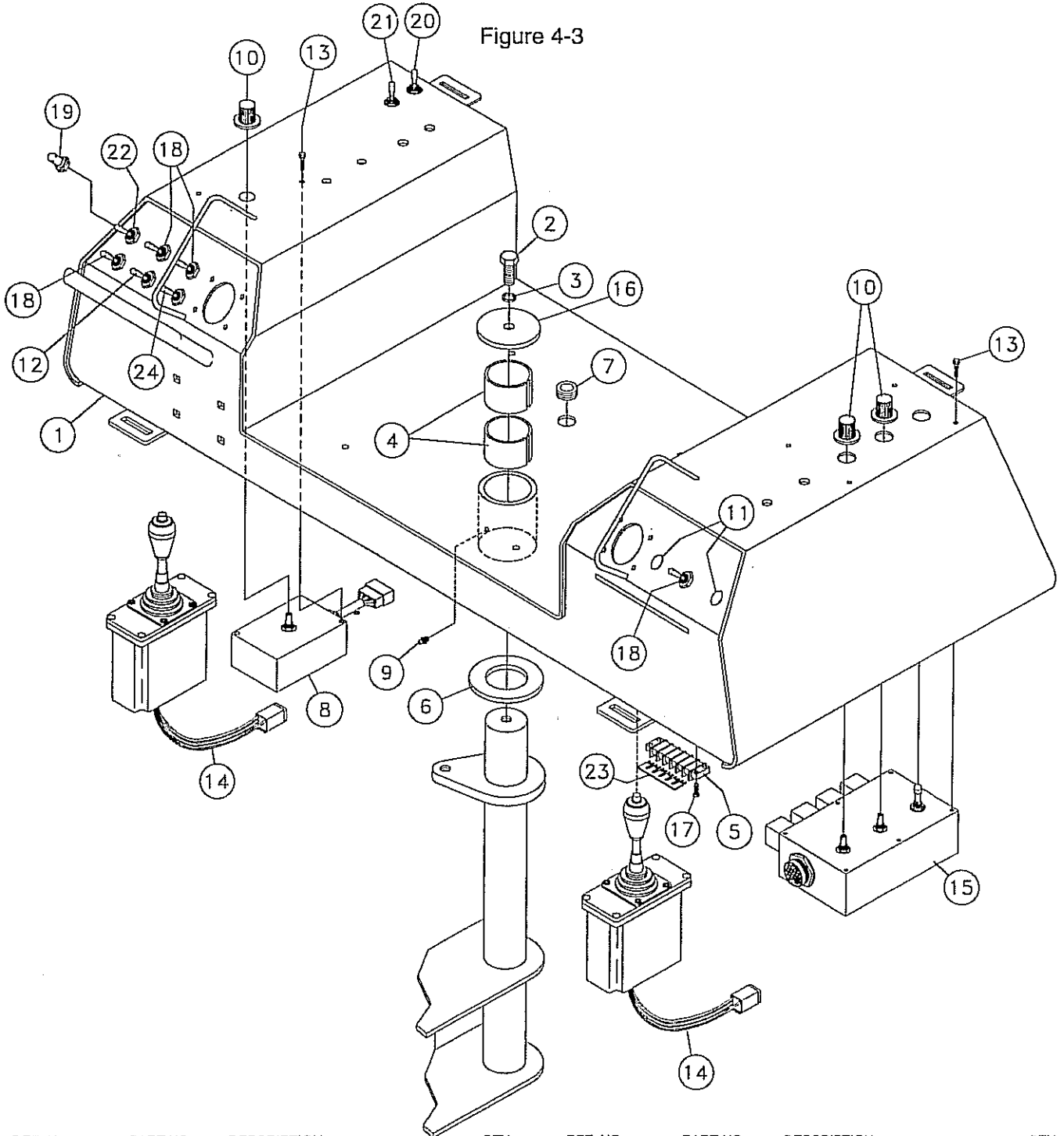
Figure 4-2



REF. NO.	PART NO.	DESCRIPTION	QTY.
4-2	1	27148-001 LIGHT-RED WARNING	3
	70889-001 BULB		A/R
4-2	2	81374-001 LIGHT-GREEN WARNING	1
4-2	3	86581-001 LIGHT-WARNING (AMBER)	1
4-2	4	89597-001 COVER-BREAKER SWITCH	4
4-2	5	400-001 NUT-3/16 NC HEX	4
4-2	6	1802-010 BOLT - 3/16" X 1" NC STOVE	4
4-2	7	231248-001 RELAY-LOW VOLTAGE SENSING	1
4-2	8	244521-001 HOSE-.078X230 4FS JIC ST	1
4-2	9	26453-001 TERMINAL JUMPER	1
4-2	10	26452-001 TERMINAL-2006	1
4-2	11	98933-001 GAUGE-TACHOMETER 0-3000 RPM	1
4-2	12	201793-001 GAUGE-WATER TEMP	1
4-2	13	77964-001 GAUGE-CO-1015.5-CBMUTNV	3
4-2	14	66816-001 SWITCH ASSY-	1
4-2	15	72079-001 BREAKER 45-700-514-DD 5 AMP	3
4-2	16	86575-001 OPERATOR-PUSH/PULL W/O BUTTON	1
	904563-001 E-STOP LENS		1
	904423-001 CONTACT BLOCK		1
4-2	17	63579-001 SWITCH-1219 GENERAL	1
	66462-001 KEY- NG- 100/1219 GENERAL		1
4-2	18	244520-001 HOSE-.078X136 4FS JIC ST	3
4-2	19	81665-001 FITTING-1/4FX4M JIC 90 DEG.	4
4-2	20	234343-001 GAUGE-PRESSURE 0-2000 PSI	1
4-2	21	78107-001 BREAKER-CIRCUIT 10AMP	1

CONTROL PANEL ASSEMBLY

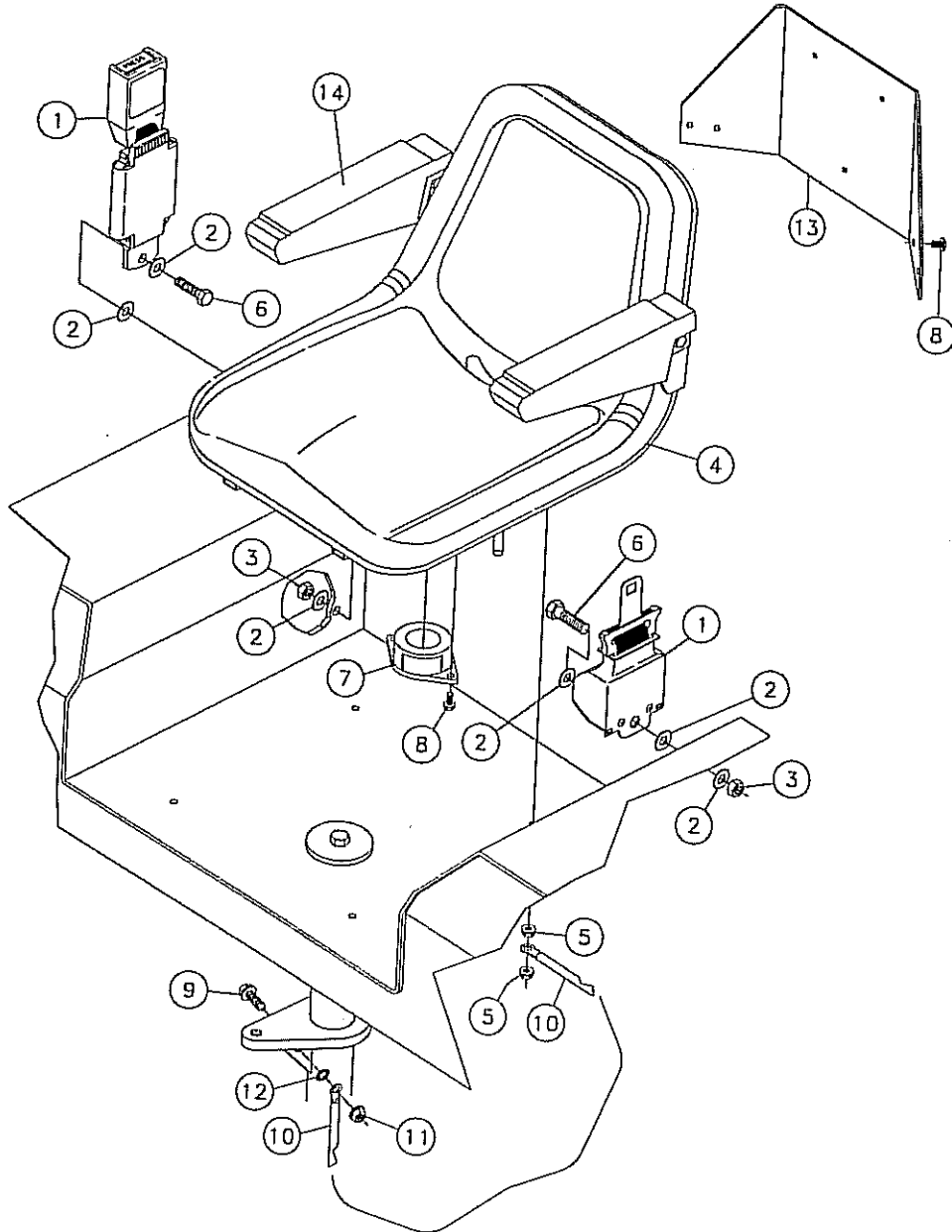
Figure 4-3



REF. NO.	PART NO.	DESCRIPTION	QTY.	REF. NO.	PART NO.	DESCRIPTION	QTY.
4-3	1	216741-003 OPERATORS STATION ASSY (INC. REF. 4 & 9)	1	4-3	13	103202-001 SCREW-1/4-20X1/2 STH MACHINE	6
4-3	2	358-010 BOLT-1/2-13X1" GRADE#5 HEX	1	4-3	14	234876-001 HANDLE-CONTROL (BREAKDOWN FIG. 4-14)	2
4-3	3	480-011 WASHER-1/2 S/T LOCK	1	4-3	15	226220-001 CONTROL BOX - LEFT SIDE	1
4-3	4	85790-003 BUSHING-SPRING 2 1/4X2 X 1 1/2	2	4-3	16	53276-001 WASHER-JACKSHAFT END	1
4-3	5	26452-001 TERMINAL-2006	1	4-3	17	1802-006 BOLT-10-24 X 3/4 RND HD STOVE	2
4-3	6	215200-001 WASHER-THRUST	1	4-3	18	67292-001 SWITCH-TOGGLE 8500K9 SEALED	4
4-3	7	1865-015 GROMMET-BLACK/5/8ID-3/16 GR.	1	4-3	19	5537-001 COVER-TOGGLE SWITCH	9
4-3	8	226221-001 CONTROL BOX-RIGHT SIDE	1	4-3	20	78104-001 SWITCH-DPDT MOMENTARY	1
4-3	9	598-001 ZERK-1/4" NF ST GREASE	1	4-3	21	86579-001 SWITCH-4 POLE ON-ON-ON	1
4-3	10	78114-001 CONTROL KNOB	3	4-3	22	86580-001 SWITCH-DPST ON-ON	1
4-3	11	97389-007 PLUG-9/16"BLACK DOME	2	4-3	23	26453-001 TERMINAL JUMPER	1
4-3	12	210082-001 SWITCH-3 POSITION TOGGLE	1	4-3	24	903389-001 SWITCH-TOGGLE	1

SEAT ASSEMBLY

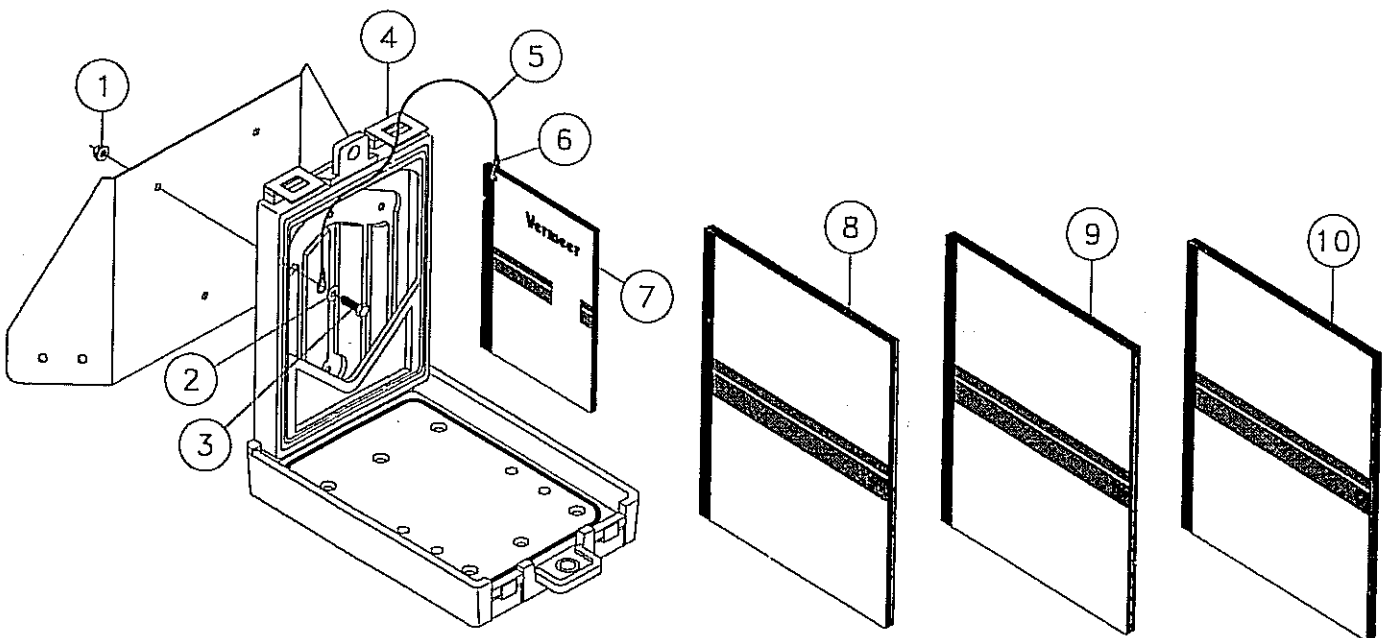
Figure 4-4



REF. NO.	PART NO.	DESCRIPTION	QTY.
4-4	1	203254-001 2"SEAT BELT F08015	1
4-4	2	485-009 WASHER-7/16 FLAT	6
4-4	3	420-001 NUT-7/16 NC SLTL	2
4-4	4	219186-001 SEAT (DOES NOT INC. ARM REST KIT)	1
4-4	5	408-001 NUT-5/16 NC FLG WHIZ LOCK	5
4-4	6	357-012 7/16-14X1 1/4 GR.#5 HEX BOLT	2
4-4	7	219186-003 SWITCH-SAFETY	1
4-4	8	4474-004 5/16-18X1/2 FLG WHIZ BOLT	6
4-4	9	4475-010 BOLT-3/8-16X1 FLANGE WHIZ	1
4-4	10	219380-001 STRAP-GROUND 4 GA.X12" E-E	1
4-4	11	4536-001 NUT - 3/8-16 FLG. WHIZ LOCK	1
4-4	12	482-001 WASHER-3/8 INT STAR	1
4-4	13	235683-001 MOUNT-MANUAL BOX	1
4-4	14	220238-001 KIT-ARM REST (OPT.) (INC. MOUNTING HARDWARE)	1

LITERATURE BOX ASSEMBLY

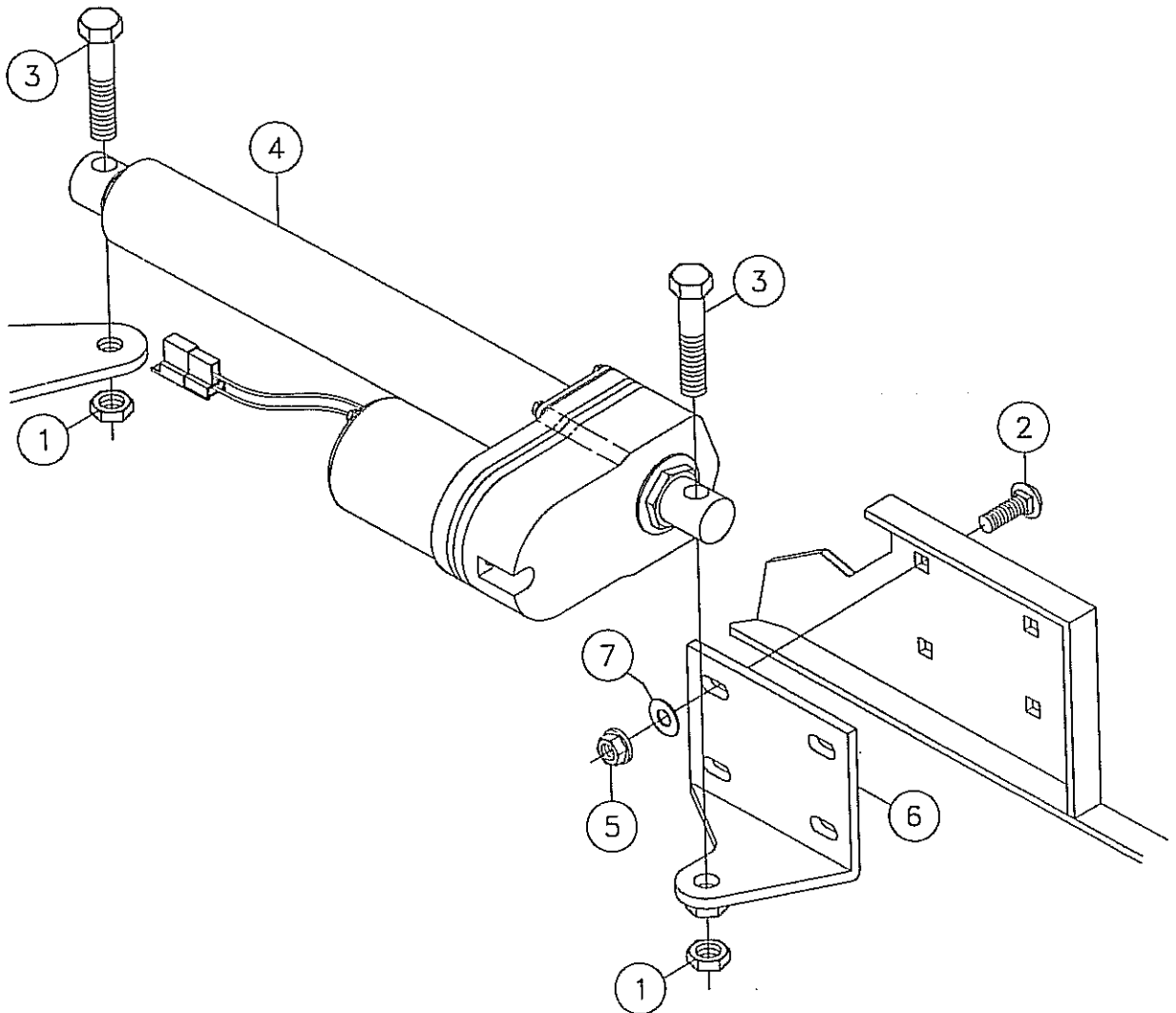
Figure 4-5



REF. NO.	PART NO.	DESCRIPTION	QTY.
4-5	1	405-001 NUT-1/4 NC FLG WHIZ LOCK	3
4-5	2	485-003 WASHER-1/4 FLAT	3
4-5	3	350-006 BOLT-1/4-20X3/4*GRADE #5 HEX	3
4-5	4	142410-001 CASE-6"X9"X1" OPERATOR MANUAL	1
4-5	5	142954-001 CABLE-.068DIA.NYLON CT.-36.00	1
4-5	6	142423-001 CRIMP-CABLE (FOR.068DIA.CABLE)	2
4-5	7	243141-001 MANUAL ASSY.-D50X100a OM MINI 1ST (INC. REF. 5 & 6)	1
4-5	8	105400-N89 D50X100A NAVIGATOR OM 1ST ED	1
4-5	9	105400-N90 D50X100A NAVIGATOR MM 1T ED	1
4-5	10	105400-N91 D50X100A NAVIGATOR PM 1ST ED	1

SEAT ACTUATOR ASSEMBLY

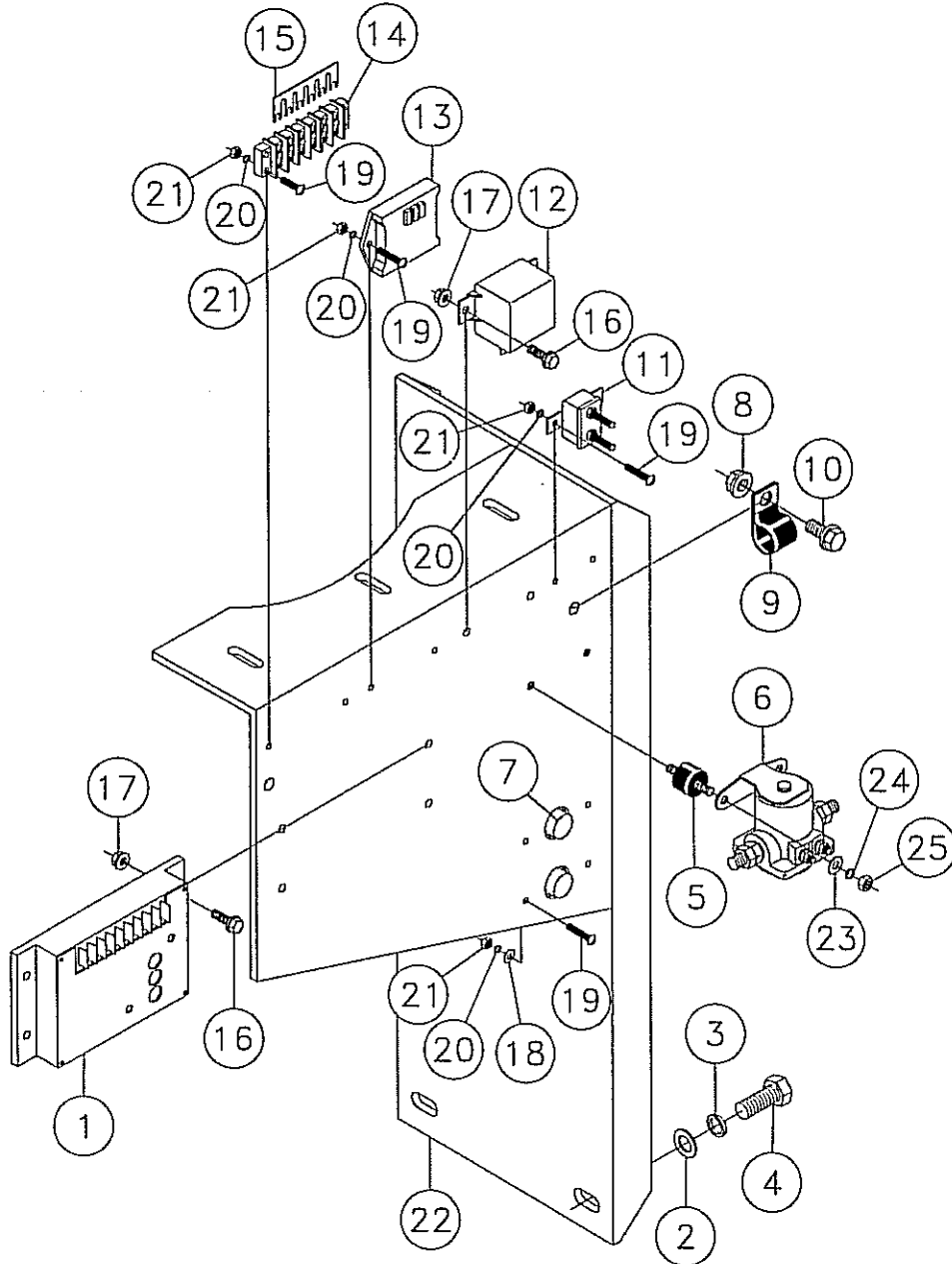
Figure 4-6



REF. NO.	PART NO.	DESCRIPTION	QTY.
4-6	1	422-001 NUT-1/2 NC HEX JAM	2
4-6	2	375-010 BOLT-3/8"-16X1"GD#5 CARRIAGE	4
4-6	3	358-024 BOLT-1/2-13X2 1/2"GRADE#5HEX	2
4-6	4	52864-001 ACTUATOR-D12-10A5-06	1
	52864-003	MOTOR-12V DC	1
	52864-005	SEALING KIT	1
	52864-007	INTERMEDIATE GEAR-10:1	1
	52864-009	CLUTCH	1
4-6	5	4536-001 NUT - 3/8-16 FLG. WHIZ LOCK	4
4-6	6	235256-001 MOUNT-SWING CYLINDER	1
4-6	7	485-011 WASHER-1/2 FLAT	4

ELECTRICAL PANEL - ENGINE

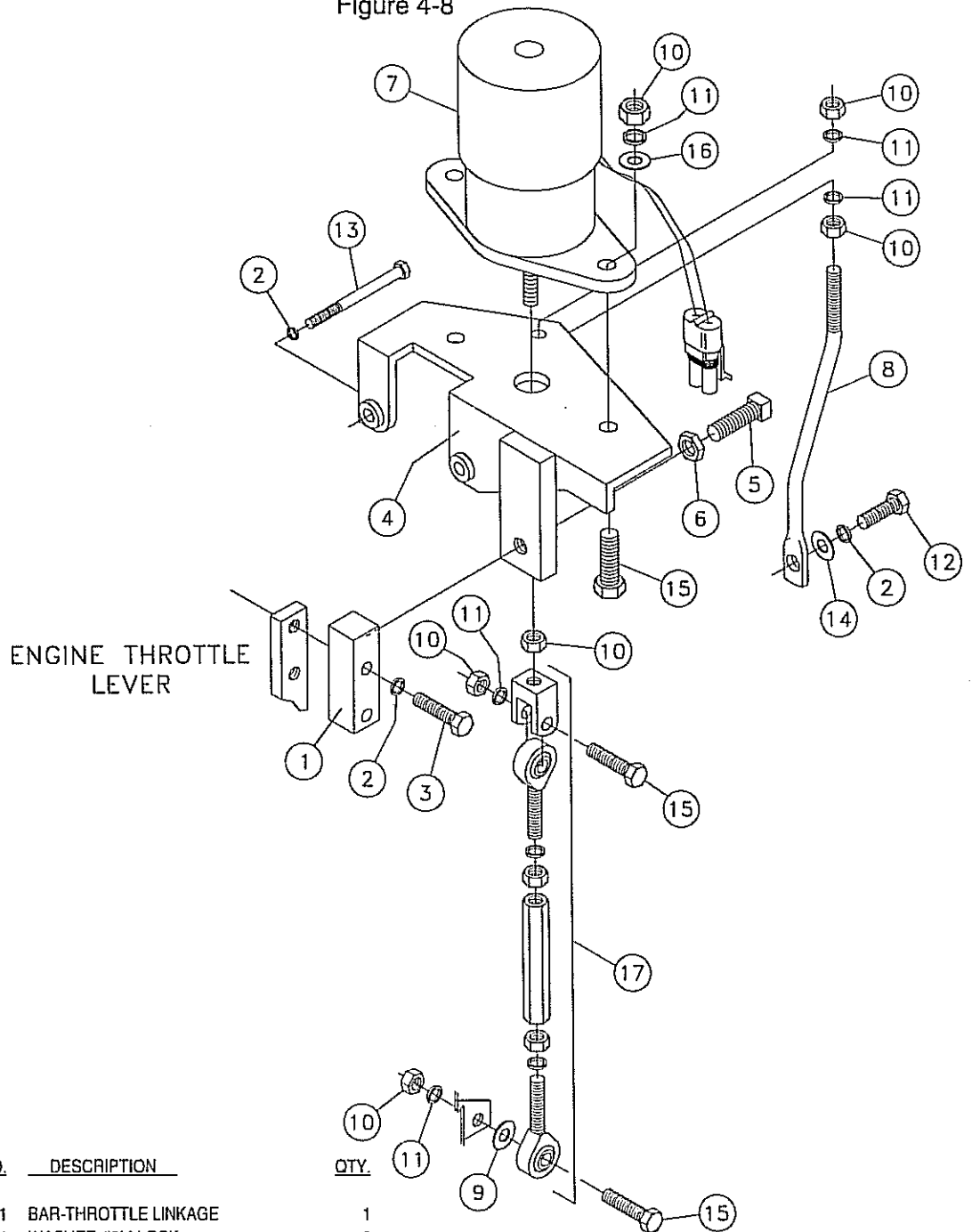
Figure 4-7



REF. NO.	PART NO.	DESCRIPTION	QTY.	REF. NO.	PART NO.	DESCRIPTION	QTY.
4-7	1	244755-001	1	4-7	14	26452-001	1
4-7	2	86510-001	2	4-7	15	26453-001	1
4-7	3	64108-001	2	4-7	16	4473-006	6
4-7	4	64110-001	2	4-7	17	405-001	1
4-7	5	91306-001	2	4-7	18	485-001	4
4-7	6	81947-001	1	4-7	19	1802-010	10
4-7	7	244767-001	2	4-7	20	480-001	10
4-7	8	4536-001	2	4-7	21	400-001	10
4-7	9	2595-007	2	4-7	22	238527-001	1
4-7	10	4475-006	2	4-7	23	485-003	2
4-7	11	86582-001	1	4-7	24	480-003	2
4-7	12	86217-001	1	4-7	25	401-001	2
4-7	13	244759-001	1				

THROTTLE SOLENOID ASSEMBLY

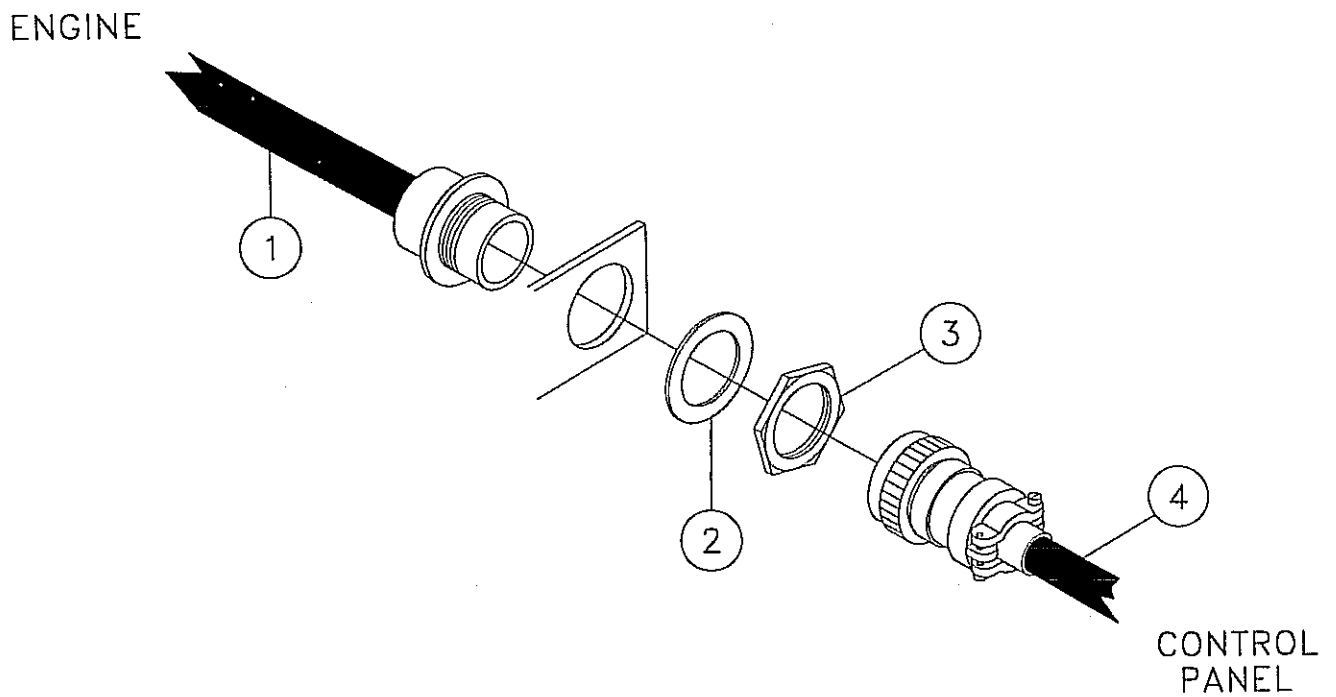
Figure 4-8



REF. NO.	PART NO.	DESCRIPTION	QTY.
4-8	1	244750-001 BAR-THROTTLE LINKAGE	1
4-8	2	15693-001 WASHER-#6M LOCK	3
4-8	3	208244-001 BOLT-6M X 25M HEX METRIC	2
4-8	4	244751-001 MOUNT-THROTTLE SOLENOID	1
4-8	5	548-010 SQ HSS-5/16-18X1	1
4-8	6	407-001 NUT-5/16 NC HEX JAM	1
4-8	7	244756-001 ACTUATOR-APECS 2000	1
4-8	8	NSS SUPPORT ROD	1
4-8	9	NSS WASHER-FLAT (.090" THICK)	1
4-8	10	4734-001 NUT-1/4-28 NF HEX	6
4-8	11	480-003 WASHER-1/4 S/T LOCK	7
4-8	12	17391-001 BOLT-6MX15M HEX METRIC	1
4-8	13	NSS BOLT-M6X55MM HEX METRIC	2
4-8	14	15694-001 WASHER-#6M FLAT	1
4-8	15	13395-010 BOLT-1/4"-28 NF X 1" HEX	4
4-8	16	485-003 WASHER-1/4 FLAT	2
4-8	17	244757-005 LINKAGE KIT	1

WIRE HARNESS ASSEMBLY

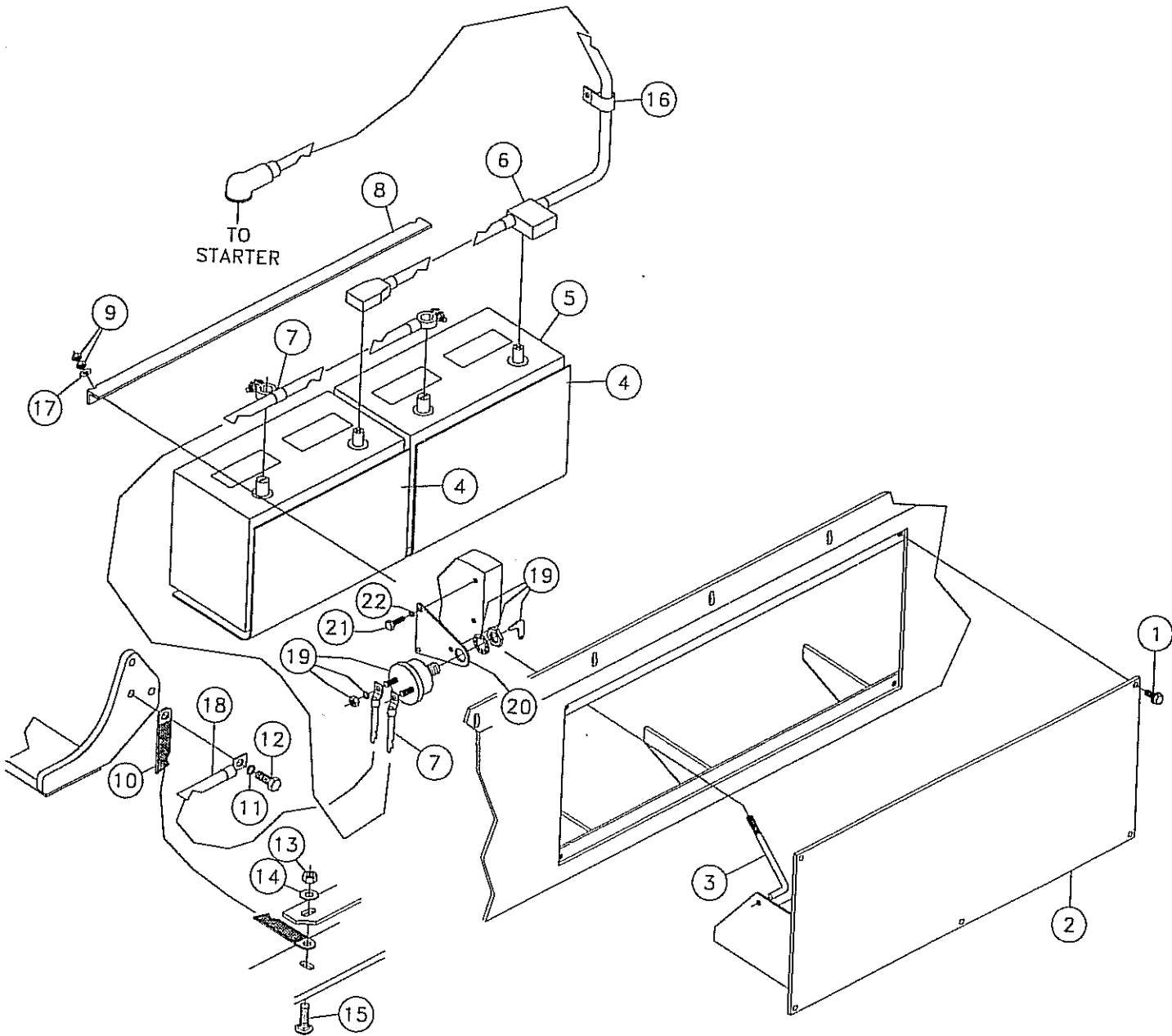
Figure 4-9



<u>REF. NO.</u>	<u>PART NO.</u>	<u>DESCRIPTION</u>	<u>QTY.</u>
4-9	1	238521-001 HARNESS-D50X100A-ENGINE WIRE	1
4-9	2	87697-005 WASHER-LOCK	1
4-9	3	87697-003 NUT-PANEL	1
4-9	4	238582-001 HARNESS-D50X100A WIRE	1

BATTERY ASSEMBLY

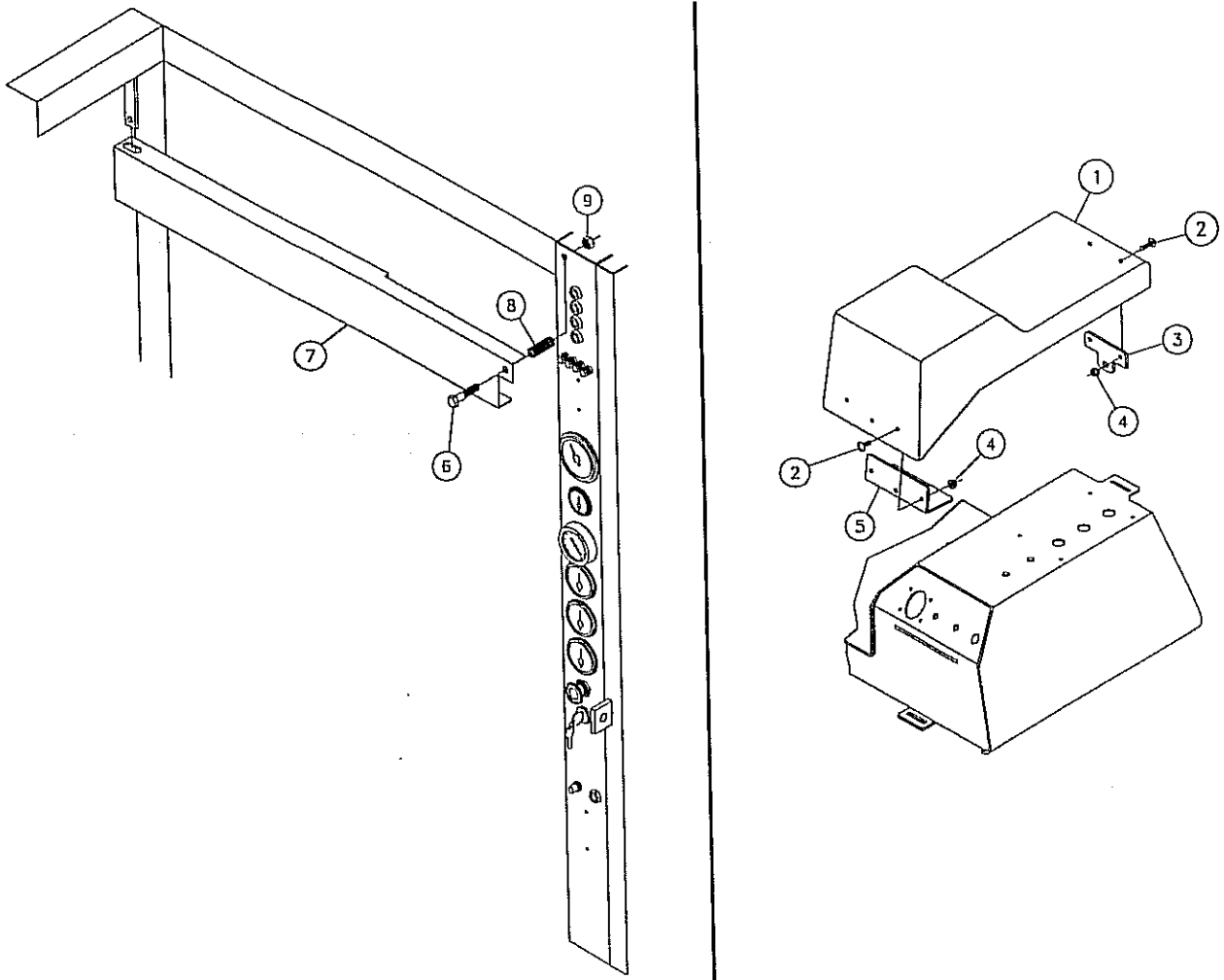
Figure 4-10



REF. NO.	PART NO.	DESCRIPTION	QTY.	REF. NO.	PART NO.	DESCRIPTION	QTY.
4-10	1	4475-006 BOLT-3/8-16X3/4 FLG WHIZ	6	4-10	13	423-001 NUT-1/2 NC SLTL UTB	1
4-10	2	238592-001 DOOR-BATTERY ACCESS	1	4-10	14	485-011 WASHER-1/2 FLAT	1
4-10	3	96458-001 BOLT-BATTERY	2	4-10	15	377-014 BOLT-1/2-13X1 1/2"GD#5CARRIAGE	1
4-10	4	903884-001 PAD-BATTERY	2	4-10	16	2595-007 HOSE CLAMP - TS7J 3/4"	2
4-10	5	N/A BATTERY	2	4-10	17	485-005 WASHER-5/16 FLAT	2
4-10	6	226058-001 CABLE-BATTERY 2/0 GA.X58"P-P-E	1	4-10	18	228400-001 CABLE-BATT. 2/0 GA.X15"E-E BLK	1
4-10	7	226059-001 CABLE-BATTERY 2/0 GA.X30"N-N-E	1	4-10	19	904365-001 DISCONNECT SWITCH (INC. KEY)	1
4-10	8	225353-001 HOLDDOWN-BATTERY	1		87356-001	SWITCH-1754 SPST W/ KEY	1
4-10	9	406-001 NUT-5/16 NC HEX	4	4-10	20	238748-001 MOUNT-SWITCH	1
4-10	10	218260-001 STRAP-4GA.X18"E-E BRAIDED GRND	1	4-10	21	119512-001 BOLT-M8 X 1.25-25MM HEX HEAD	2
4-10	11	64108-001 WASHER-M12 LOCK	1	4-10	22	17393-001 WASHER-8M LOCK	2
4-10	12	24772-001 BOLT-12M X 35 GR. 6.8 HEX HEAD	1				

VANDAL SHIELD ASSEMBLY

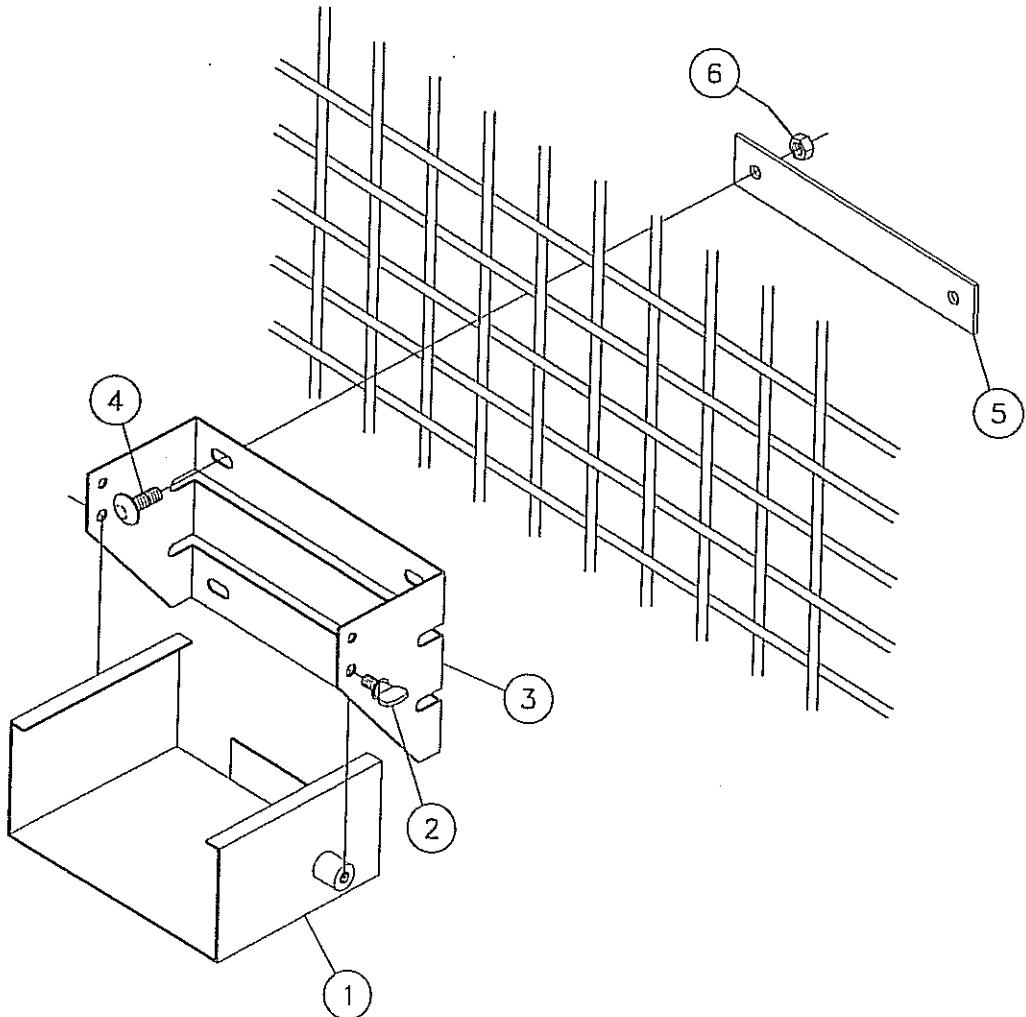
Figure 4-11



<u>REF. NO.</u>	<u>PART NO.</u>	<u>DESCRIPTION</u>	<u>QTY.</u>
4-11	1	234393-001 VANDAL SHIELD-OPERATOR SEAT	2
4-11	2	20666-001 BOLT-5/16-18X3/4 GR5 TRUSS HD	10
4-11	3	234394-001 PLATE-SHIELD CLIP	2
4-11	4	408-001 NUT-5/16 NC FLG WHIZ LOCK	10
4-11	5	234395-001 PLATE-SHIELD CLIP	2
4-11	6	358-026 1/2-13X2 3/4"GRADE#5HEX BOLT	1
4-11	7	234408-001 VANDAL SHIELD-ROPS POST	1
4-11	8	1803-019 SPRING - COMP. #48 2 1/2" OA	1
4-11	9	423-001 NUT-1/2 NC SLTL UTB	1

REMOTE LOCATOR HOLDER ASSEMBLY

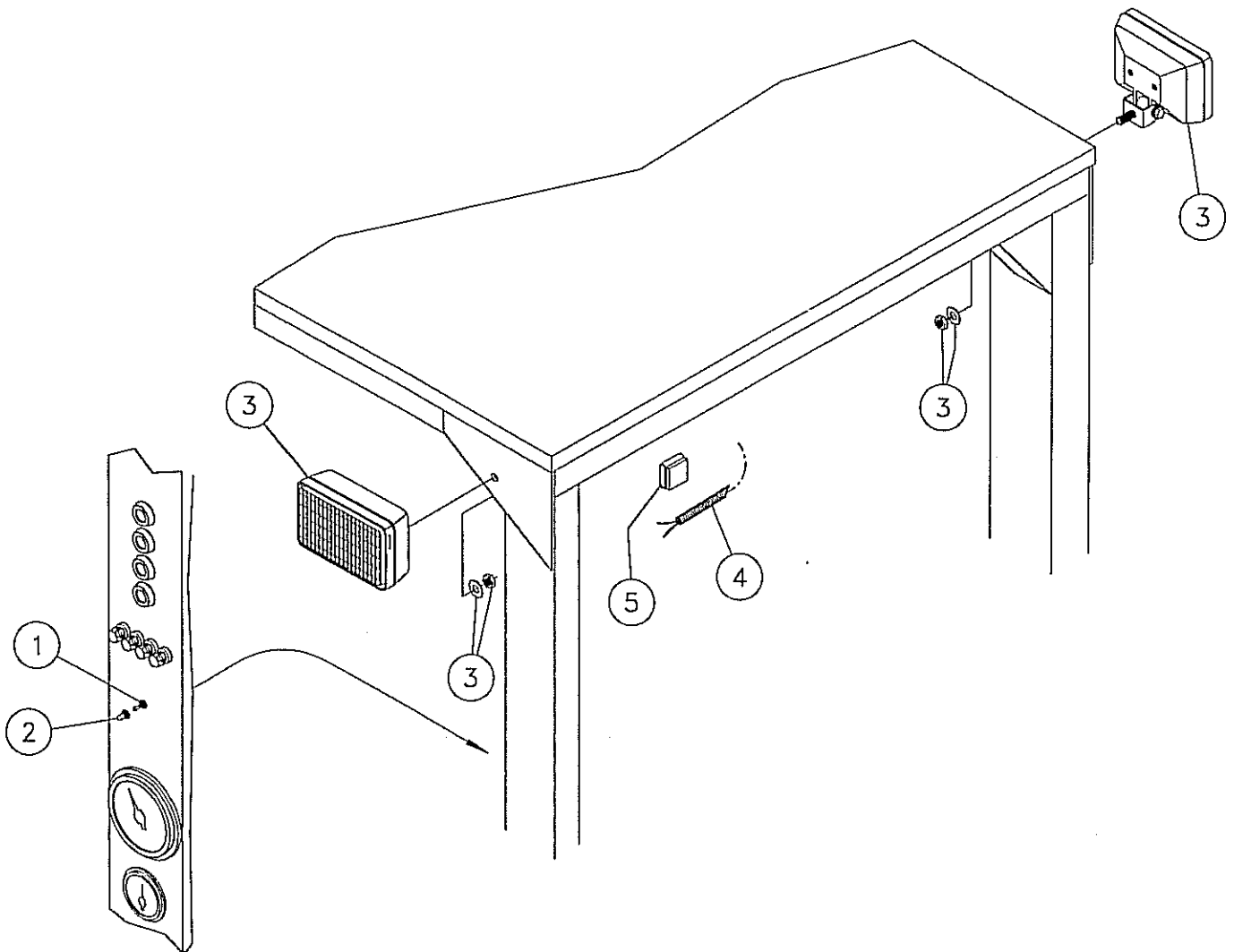
Figure 4-12



<u>REF. NO.</u>	<u>PART NO.</u>	<u>DESCRIPTION</u>	<u>QTY.</u>	
4-12	1	234369-001	HOLDER-REMOTE LOCATOR RECEIVER	1
4-12	2	234475-001	BOLT-5/16-18 X 1/2 THUMB SCREW	2
4-12	3	234368-001	PLATE-REMOTE BRACKET	1
4-12	4	375-010	BOLT-3/8"-16X1"GD#5 CARRIAGE	4
4-12	5	234377-001	PLATE-REMOTE HOLDER BACK	2
4-12	6	416-001	NUT-3/8 NC SLTL	4

WORK LIGHT ASSEMBLY

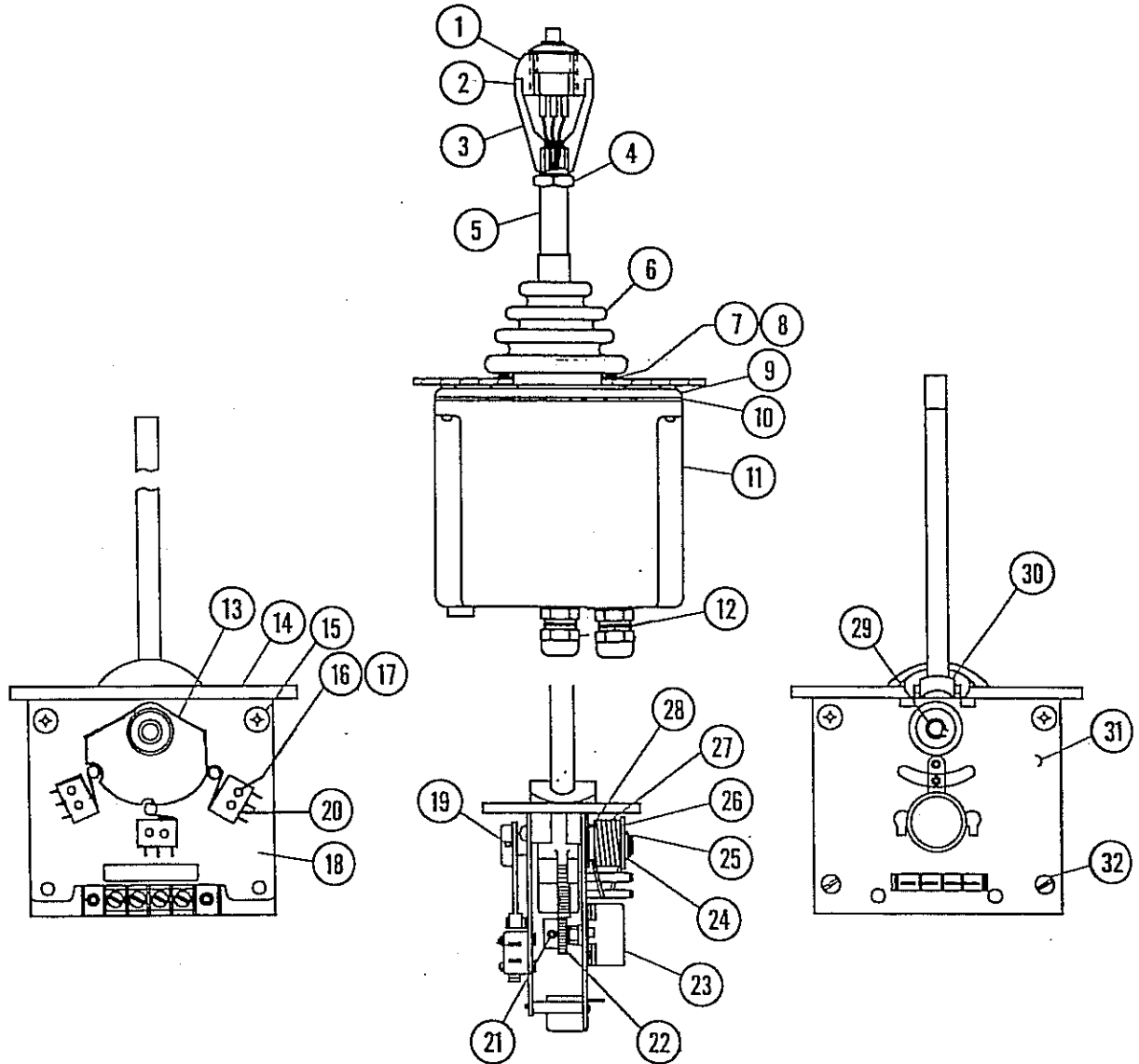
Figure 4-13



REF. NO.	PART NO.	DESCRIPTION	QTY.
4-13	1	67292-001 SWITCH-TOGGLE 8500K9 SEALED	1
4-13	2	5537-001 COVER-TOGGLE SWITCH	1
4-13	3	215861-001 LIGHT-3 X 5 FLOOD	2
4-13	4	244772-001 HARNESS-D50X100A LIGHT	1
4-13	5	28950-001 CLIP-ADHES.LATCHING LC5-A-C8	4

CONTROL HANDLE COMPONENTS

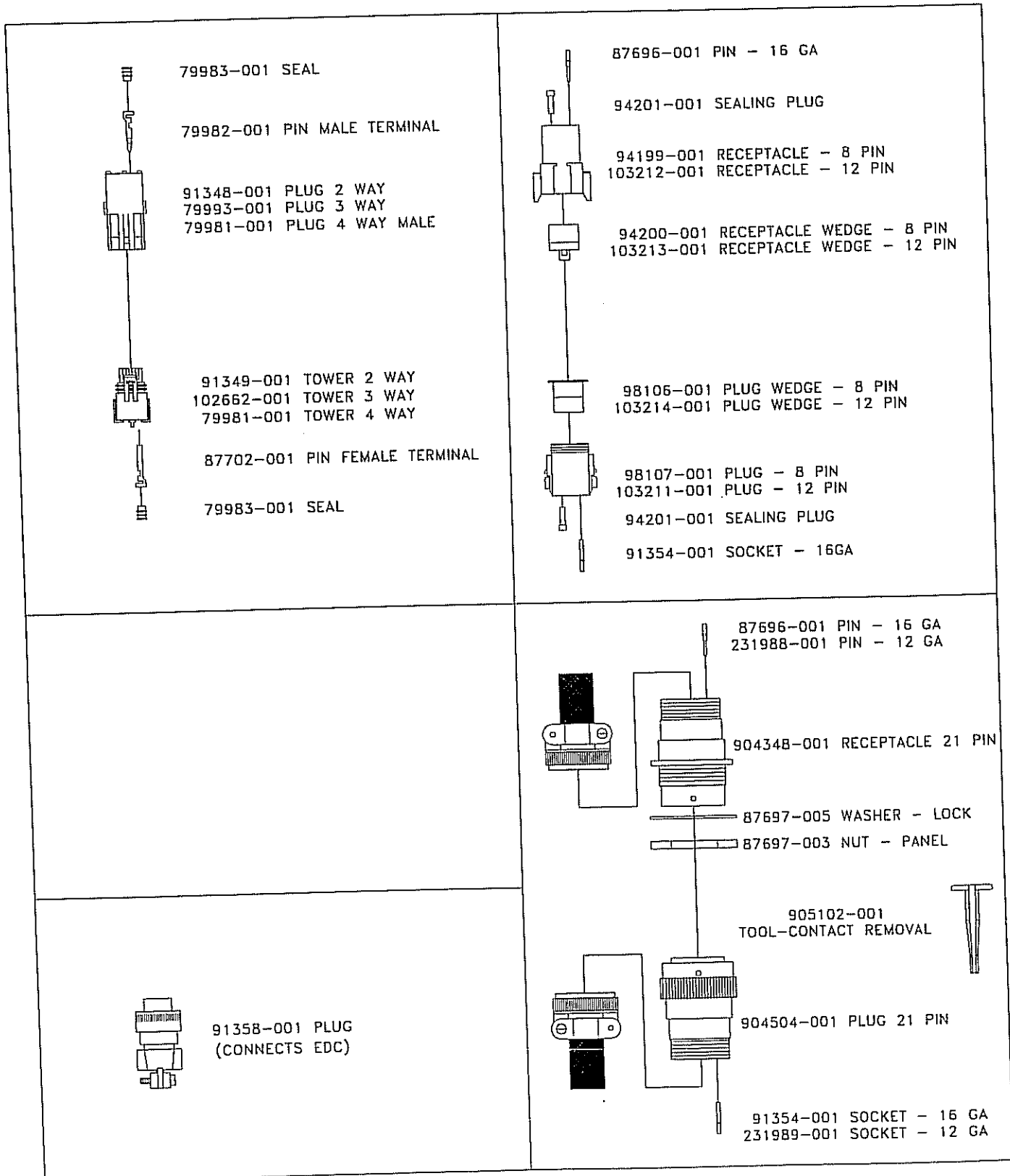
Figure 4-14



REF. NO.	PART NO.	DESCRIPTION	QTY.	REF. NO.	PART NO.	DESCRIPTION	QTY.
4-14	1	224294-003 SWITCH& TOP KNOB ASSEMBLY	1	4-14	18	234876-005 SWITCH PLATE ASSY	1
4-14	2	224294-005 SET SCREW	2	4-14	19	204734-011 SET SCREW	1
4-14	3	224294-007 KNOB (BOTTOM)	1	4-14	20	234876-007 SWITCH-MICRO SUB MIN.	3
4-14	4	413-001 NUT-3/8 NC HEX JAM	1	4-14	21	103733-003 SET SCREW	1
4-14	5	224294-031 LEVER	1	4-14	22	96070-011 GEAR-SPUR	1
4-14	6	119701-009 BOOT	1	4-14	23	234876-009 POTENTIOMETER	1
4-14	7	67708-001 SCREW	4	4-14	24	224294-015 WASHER-FLAT	1
4-14	8	67707-001 BUSHING	4	4-14	25	224294-017 WASHER-FLAT (NYLON)	1
4-14	9	67712-001 BUTTO-	4	4-14	26	224294-019 BUSHING-OUTER (PLASTIC)	1
4-14	10	67723-001 GASKET	1	4-14	27	96070-005 SPRING	1
4-14	11	67724-001 CASE-	1	4-14	28	224294-021 BUSHING-INNER (PLASTIC)	1
4-14	12	69892-005 CONNECTOR	2	4-14	29	224294-023 RETAINER RING	1
4-14	13	224294-009 CAM ASSEMBLY	1	4-14	30	224294-025 GEAR SEGMENT ASSEMBLY	1
4-14	14	119701-007 COVER	1	4-14	31	224294-027 POTENTIOMETER PLATE ASSEMBLY	1
4-14	15	103733-005 SCREW	2	4-14	32	224294-029 SCREW-PAN HEAD	2
4-14	16	234876-003 SCREW-2-56X9/16	6				
4-14	17	89807-005 PLATE-SPACER	3				
		89807-007 PLATE-MOUNTING (THREADED)	3				
					234876-001	HANDLE-CONTROL (COMPLETE) (INC. ALL ITEMS IN THIS FIGURE)	

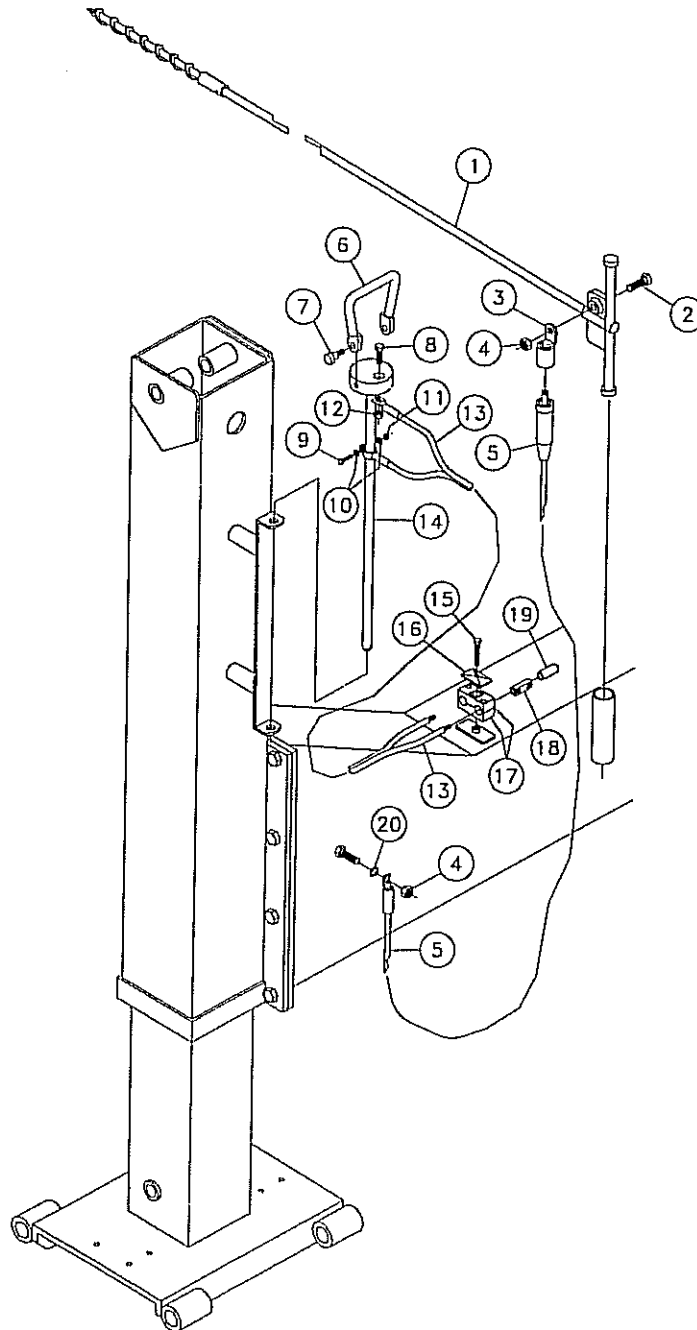
HARNESS PLUG COMPONENTS

Figure 4-15



GROUND STAKE/VOLTAGE STAKE ASSEMBLY

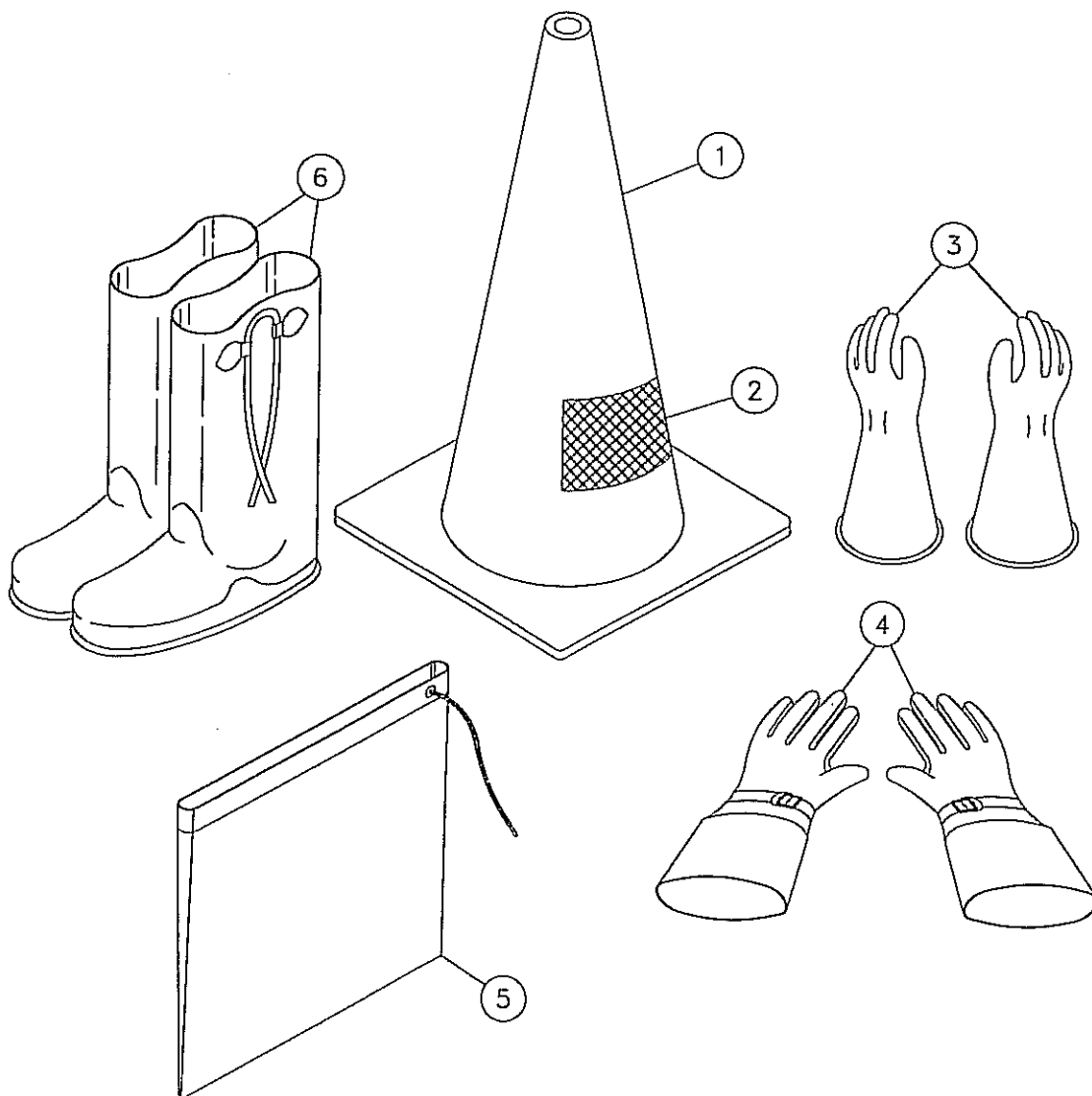
Figure 5-1



REF. NO.	PART NO.	DESCRIPTION	QTY.	REF. NO.	PART NO.	DESCRIPTION	QTY.
5-1	1	904546-001	1	5-1	12	416-001	1
5-1	2	57867-012	1	5-1	13	217967-001	1
5-1	3	904731-001	1	5-1	14	234167-001	1
5-1	4	423-001	2	5-1	15	351-012	1
5-1	5	229285-001	1	5-1	16	67846-003	1
5-1	6	234164-001	1	5-1	17	900035-005	2
5-1	7	240056-001	2	5-1	18	904355-001	2
5-1	8	354-012	1	5-1	19	208065-001	2
5-1	9	350-010	1			(SPECIFY LENGTH)	
5-1	10	485-003	2	5-1	20	481-003	1
5-1	11	403-001	1			WASHER-1/2 EXT STAR	

SAFETY FEATURES - GLOVES, BOOTS, CONES

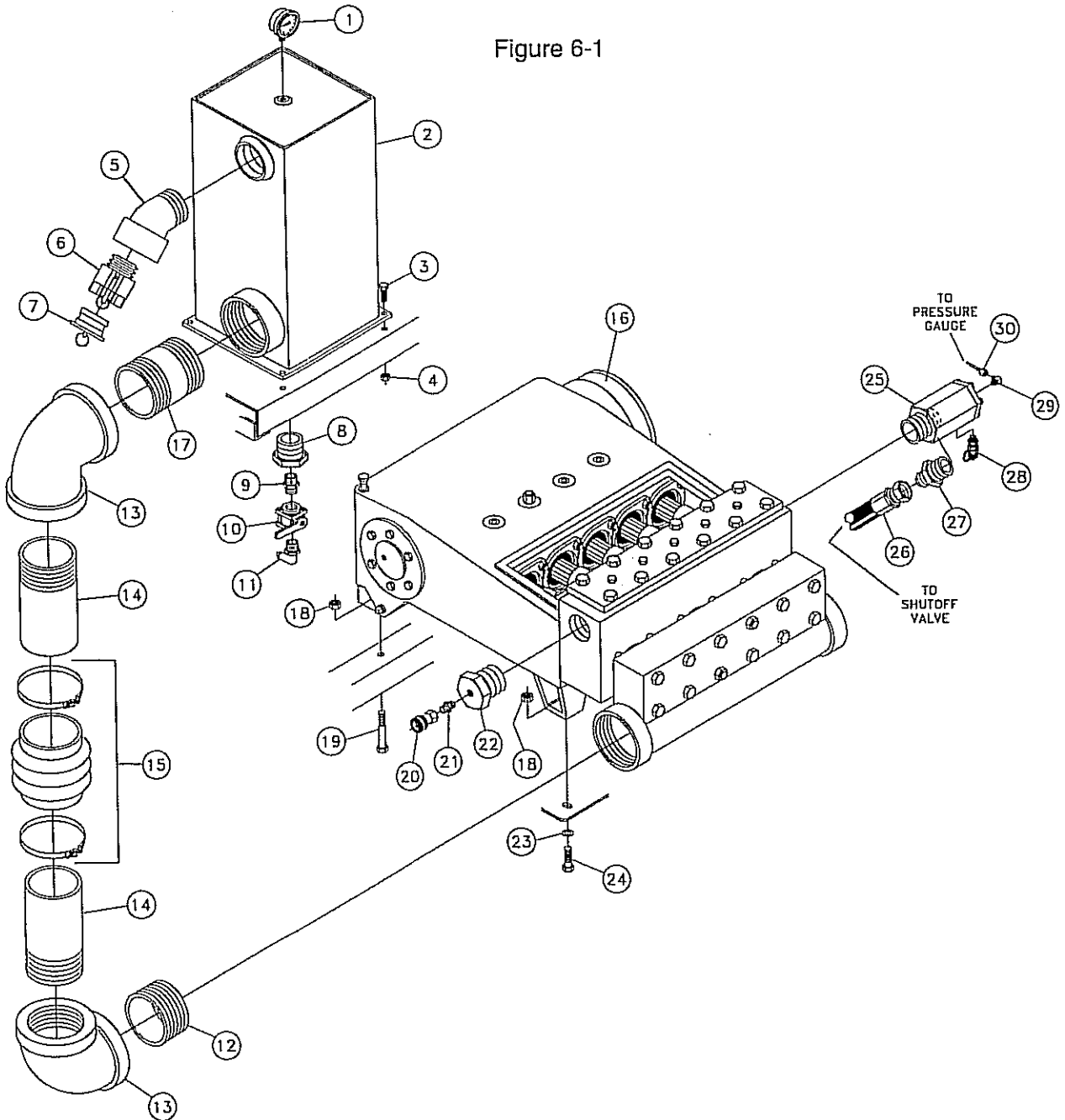
Figure 5-2



REF. NO.	PART NO.	DESCRIPTION	QTY.	REF. NO.	PART NO.	DESCRIPTION	QTY.
9-3	1	904541-001 CONES-ORANGE PVC	4		210785-001	GLOVE KIT-SIZE 10 (INC. 1 PAIR OF RUBBER GLOVES, 1 PAIR OF LEATHER GLOVES & 1 GLOVE BAG REF. 5)	1
9-3	2	70000-530 DECAL-DANGER	4		224990-001	GLOVE KIT-SIZE 11 (INC. 1 PAIR OF RUBBER GLOVES, 1 PAIR OF LEATHER GLOVES & 1 GLOVE BAG REF. 5)	1
		70001-530 DECAL-DANGER (INTERNATIONAL)	4		224991-001	GLOVE KIT-SIZE 12 (INC. 1 PAIR OF RUBBER GLOVES, 1 PAIR OF LEATHER GLOVES & 1 GLOVE BAG REF. 5)	1
9-3	3	210782-001 GLOVES-SIZE 9 RUBBER INSULATE	1 pair				
		210782-005 GLOVES-SIZE 9 1/2 RUBBER INSUL	1 pair				
		210782-003 GLOVES-SIZE 10 RUBBER INSULATE	1 pair				
		210782-007 GLOVE-SIZE 11 RUBBER INSULATED	1 pair				
		210782-009 GLOVE-SIZE 12 RUBBER INSULATED	1 pair				
		210783-001 GLOVES-SIZE 9 LEATHER PROTECT	1 pair				
9-3	4	210783-005 GLOVES SIZE 9 1/2 LEATHER PROT	1 pair	9-3	5	210784-001 BAG-GLOVE	1
		210783-003 GLOVES-SIZE 10 LEATHER PROTECT	1 pair	9-3	6	210780-009 BOOTS-SIZE 9 OVER-THE-SHOE	1 pair
		210783-007 GLOVE-SIZE 11 LEATHER PROTECT	1 pair			210780-001 BOOTS-SIZE 10 OVER-THE-SHOE	1 pair
		210783-009 GLOVE-SIZE 12 LEATHER PROTECT	1 pair			210780-003 BOOTS-SIZE 11 OVER-THE-SHOE	1 pair
		210781-001 GLOVE KIT-SIZE 9 (INC. 1 PAIR OF RUBBER GLOVES, 1 PAIR OF LEATHER GLOVES & 1 GLOVE BAG REF. 5)	1			210780-005 BOOTS-SIZE 12 OVER-THE-SHOE	1 pair
		224979-001 GLOVE KIT-SIZE 9 1/2 (INC. 1 PAIR OF GLOVES, 1 PAIR OF LEATHER GLOVES & 1 GLOVE BAG REF. 5)	1			210780-007 BOOTS-SIZE 13 OVER-THE-SHOE	1 pair
						210780-011 BOOTS-SIZE 14 OVER-THE-SHOE	1 pair
						210780-013 BOOTS-SIZE 15 OVER-THE-SHOE	1 pair

WATER PUMP ASSEMBLY

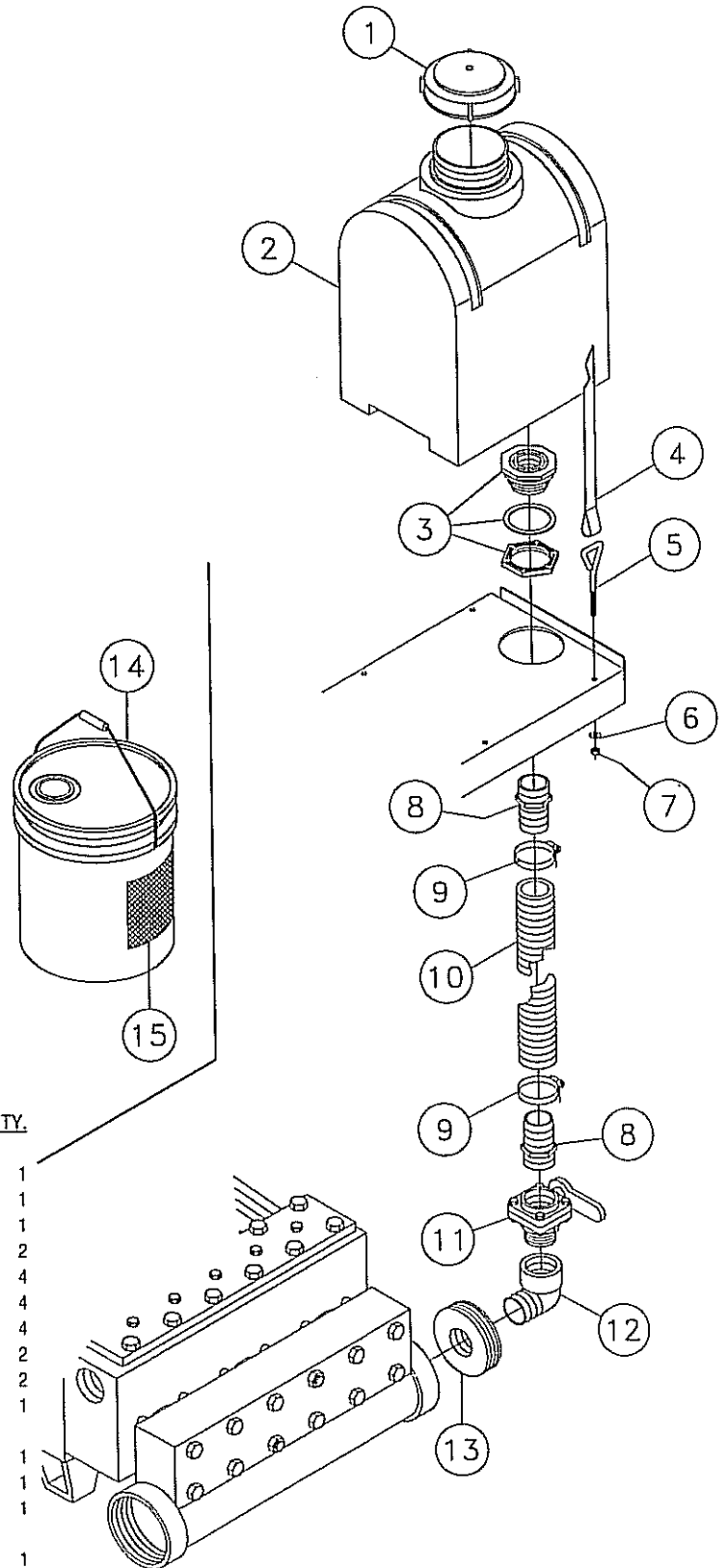
Figure 6-1



REF. NO.	PART NO.	DESCRIPTION	QTY.	REF. NO.	PART NO.	DESCRIPTION	QTY.		
6-1	1	234473-001	GAUGE-30 HG-0-100 PSI	1	6-1	17	244595-001	FITTING-5X4 1/2 PIPE NIPPLE	1
6-1	2	239351-001	TANK-SUCTION STABILIZER	1	6-1	18	430-001	NUT-5/8-11 NC SELF LOCKING	4
6-1	3	358-014	BOLT-1/2-13X1 1/2"GRADE#5 HEX	4	6-1	19	366-044	5/8-11X4 1/2GRADE#5 HEX BOLT	2
6-1	4	423-001	NUT-1/2 NC SLTL UTB	4	6-1	20	227235-001	COUPLER-1/2"NPT QUICK(FEMALE)	1
6-1	5	239454-001	FITTING-3" 45DEG ST ELBOW POLY	1	6-1	21	707-003	1/2" NPT HEX NIPPLE	1
6-1	6	239281-001	COUPLER-3" FEMALE MNPT (POLY)	1	6-1	22	244516-001	FITTING-40MNPT/8FNPT HEX REDCR	1
6-1	7	234480-001	PLUG-3" CAM LOCK (POLY)	1	6-1	23	85706-001	WASHER-5/8 HARDEN	2
6-1	8	225838-001	BUSHING-2X3/4 NPT REDUCER POLY	1	6-1	24	366-020	5/8-11X2"GRADE#5 HEX BOLT	2
6-1	9	231049-001	NIPPLE-3/4" NPT SHORT (POLY)	1	6-1	25	239471-001	WATER PUMP OUTLET ASSY -SC115L (BREAKDOWN FIG. 6-13)	1
6-1	10	225847-001	VALVE-3/4" FPT BALL (POLY)	1	6-1	26	239496-001	HOSE-1 1/2X92 24FSJIC ST/ST	1
6-1	11	225845-001	HOSE INSERT-3/4X3/4 MPT 90POLY	1	6-1	27	94569-001	FITTING 1/2MNPTX24MJIC STR.	1
6-1	12	239449-001	5" NPT CLOSE NIPPLE	1	6-1	28	75493-001	COUPLER-MALE TCM20-7/16"UNF-V	1
6-1	13	239448-001	FITTING-5" 90 DEG ELBOW	2	6-1	29	59423-001	FIT-4M JICX4M ADJ.90 DEG.ELBOW	1
6-1	14	239465-001	PIPE-PUMP INLET	2	6-1	30	244521-001	HOSE-.078X230 4FS JIC ST	1
6-1	15	239453-001	5" EXPANSION JOINT	1					
6-1	16	239383-001	PUMP-APLEX SC115L (BREAKDOWN FIG. 6-7 THRU 6-12)	1					

ANTI-FREEZE SYSTEM

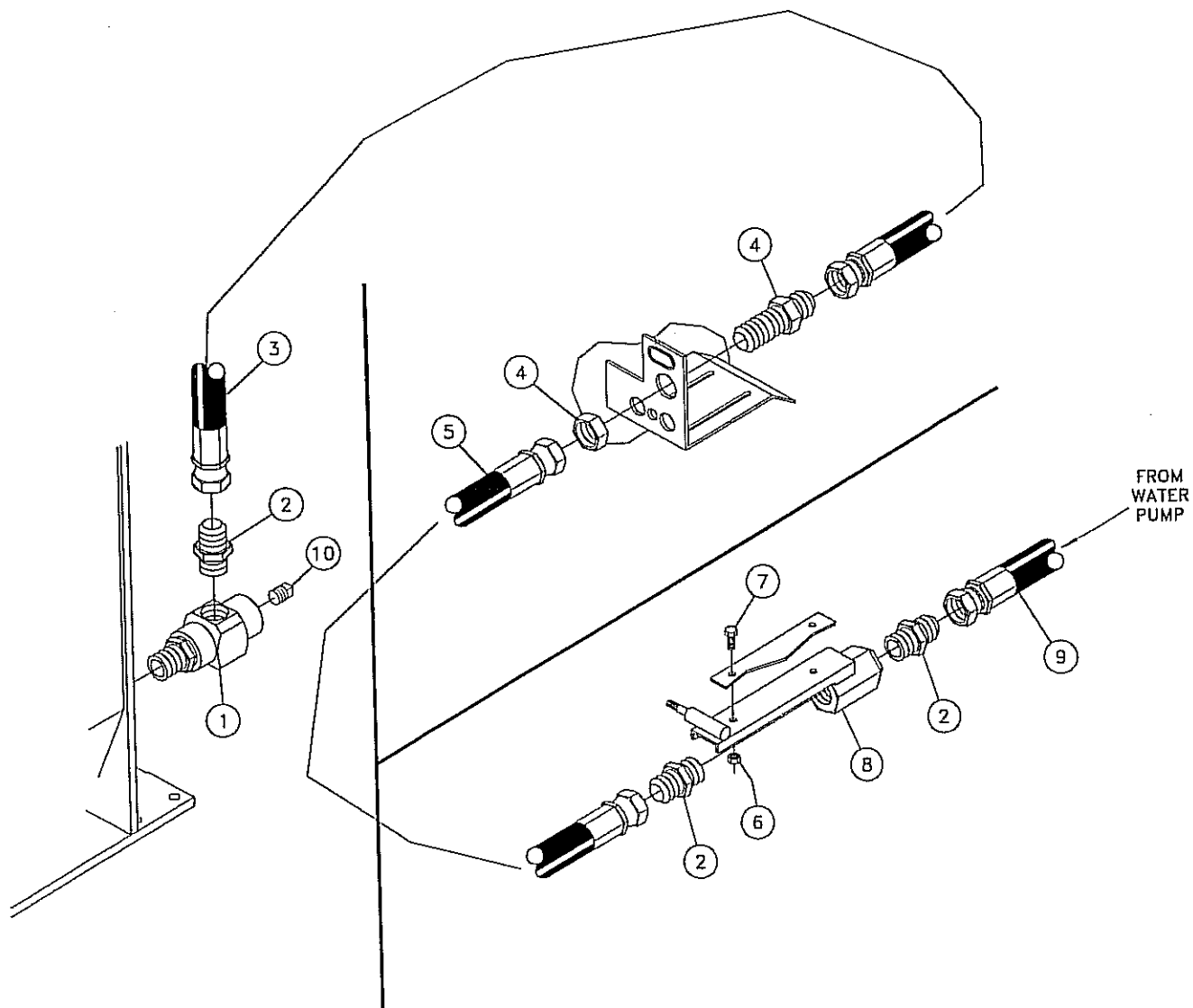
Figure 6-2



REF. NO.	PART NO.	DESCRIPTION	QTY.
6-2	1	219110-007 LID-SPIN ON W/BREATHER	1
6-2	2	239477-001 TANK-ANTIFREEZE	1
6-2	3	904062-007 2" BUNG	1
6-2	4	220639-001 STRAP-NYLON 1 X 34 (BLK)	2
6-2	5	903862-001 BOLT-WATER TANK HOLD DOWN	4
6-2	6	485-007 WASHER-3/8 FLAT	4
6-2	7	416-001 NUT-3/8 NC SLTL	4
6-2	8	215426-001 HOSE BARB-2X2 MPT (POLY)	2
6-2	9	238064-001 CLAMP-2" POWERLOCK HOSE	2
6-2	10	239478-001 HOSE-2" X17" SUCTION	1
6-2	11	236045-001 VALVE-2" FPT X 2MPT POLY BALL (BREAKDOWN FIG. 6-14)	1
6-2	12	214088-001 ELBOW-90 DEG 2" POLY STREET	1
6-2	13	239447-001 FITTING-5X2 HEX BUSHING	1
6-2	14	210779-001 NAVIGATOR FREEZE GUARD (5 GAL) (SHOWN)	1
		210779-003 NAVIGATOR FREEZE GUARD (55 GAL)	1
6-2	15	70000-675 DECAL-NAVIGATOR FREEZE GUARD	1
		7000A-027 DECAL-NAVIGATOR FREEZE GUARD	1

WATER LINE ASSEMBLY

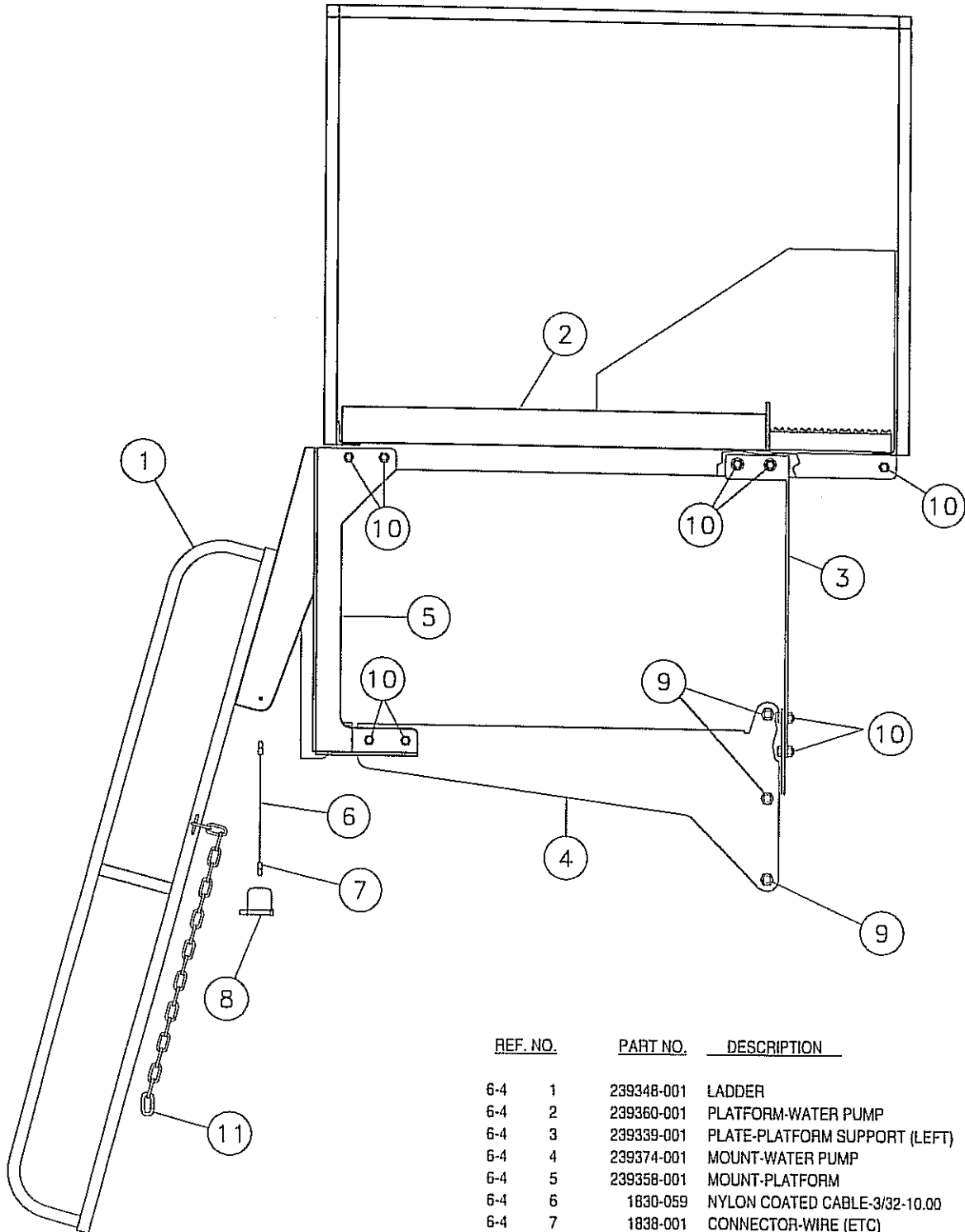
Figure 6-3



REF. NO.	PART NO.	DESCRIPTION	QTY.
6-3	1	234978-001 SWIVEL-1 1/2 PRESS BALNCD 90	1
		234978-003 SEAL KIT	
		234978-005 RESIZING RING	
6-3	2	94569-001 FITTING1 1/2MNPTX24MJIC STR.	3
		94569-001 FITTING1 1/2MNPTX24MJIC STR.	3
6-3	3	239497-001 HOSE-1 1/2X224 24FSJIC ST/ST	1
6-3	4	244517-001 FITTING-24M JIC BULKHEAD ST	1
6-3	5	239495-001 HOSE-1 1/2X65 24FSJIC ST/ST	1
6-3	6	423-001 NUT-1/2 NC SLTL UTB	2
6-3	7	358-012 BOLT-1/2-13 X 1 1/4 GR #5 HEX	2
6-3	8	234422-001 VAVLE (1.5") WATER PUMP	1
6-3	9	239496-001 HOSE-1 1/2X92 24FSJIC ST/ST	1
6-3	10	732-009 PLUG-3/4" PIPE BLACK STEEL	1

PLATFORM ASSEMBLY

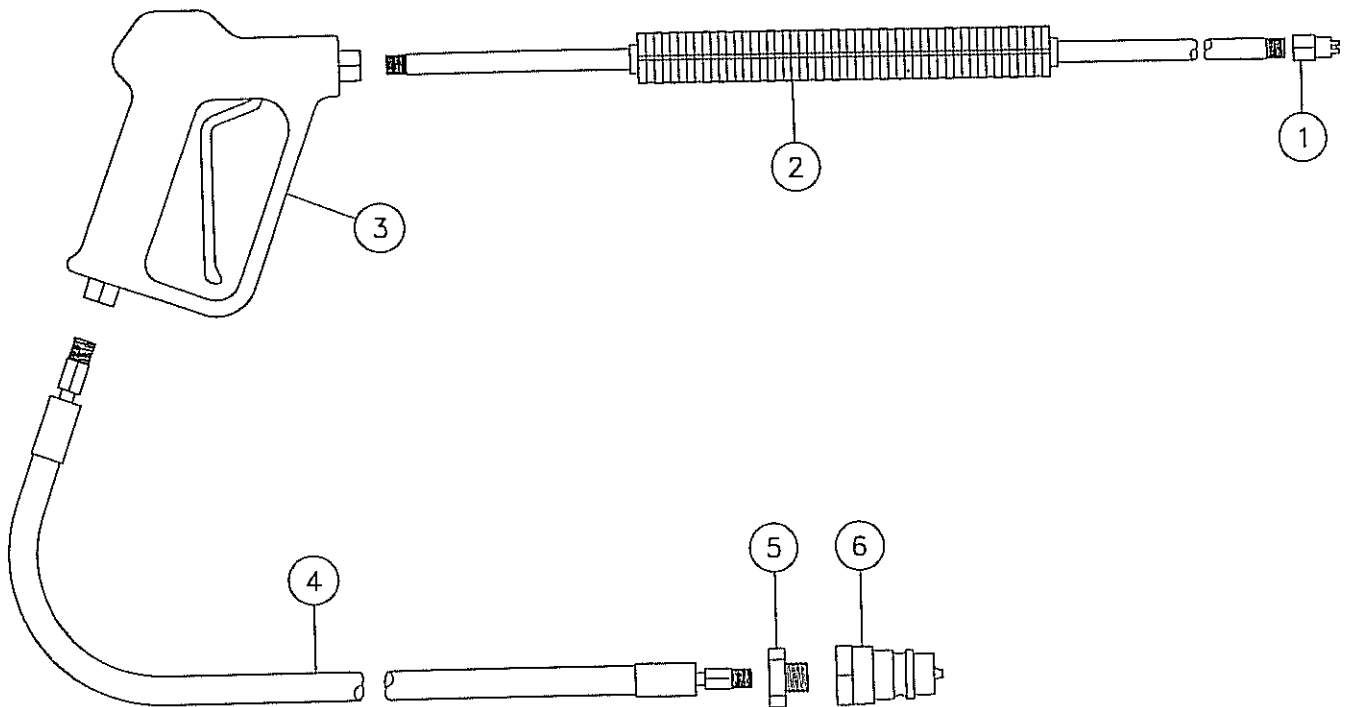
Figure 6-4



REF. NO.	PART NO.	DESCRIPTION	QTY.
6-4 1	239348-001	LADDER	1
6-4 2	239360-001	PLATFORM-WATER PUMP	1
6-4 3	239339-001	PLATE-PLATFORM SUPPORT (LEFT)	1
6-4 4	239374-001	MOUNT-WATER PUMP	1
6-4 5	239358-001	MOUNT-PLATFORM	1
6-4 6	1830-059	NYLON COATED CABLE-3/32-10.00	2
6-4 7	1838-001	CONNECTOR-WIRE (ETC)	4
6-4 8	2109-003	PIN LOCKING - 3/8 X 2 1/4	2
6-4 9	366-022	BOLT-5/8-11X2 1/4" GRADE#5 HEX	3
	430-001	NUT-5/8-11 NC SELF LOCKING	4
6-4 10	358-014	BOLT-1/2-13X1 1/2" GRADE#5 HEX	12
	480-011	WASHER-1/2 S/T LOCK	12
	421-001	NUT-1/2 NC HEX	12
6-4 11	901062-001	CHAIN LINK 3/16 X 2 THD	1

WAND ASSEMBLY

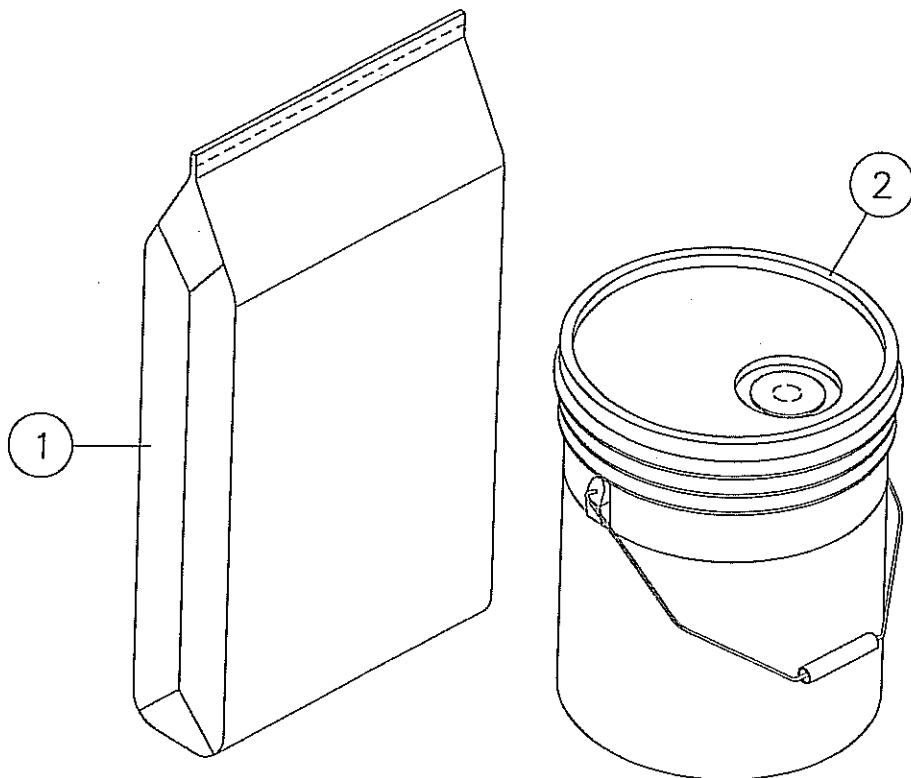
Figure 6-5



<u>REF. NO.</u>	<u>PART NO.</u>	<u>DESCRIPTION</u>	<u>QTY.</u>
6-5	1	904576-001 SPRAY NOZZLE	1
6-5	2	904577-001 MOLDED LANCE	1
6-5	3	904578-001 GUN HANDLE	1
6-5	4	129692-001 HOSE-3/8X 300 1/4M/3/BMS NPTF	1
6-5	5	730-003 1/2" X 1/4" HEX BUSHING STEEL	1
6-5	6	227236-001 COUPLER-1/2" NPT QUICK(MALE)	1
		227891-001 WASH WAND ASSY (INC. REF. 1-6)	

DRILL FLUID

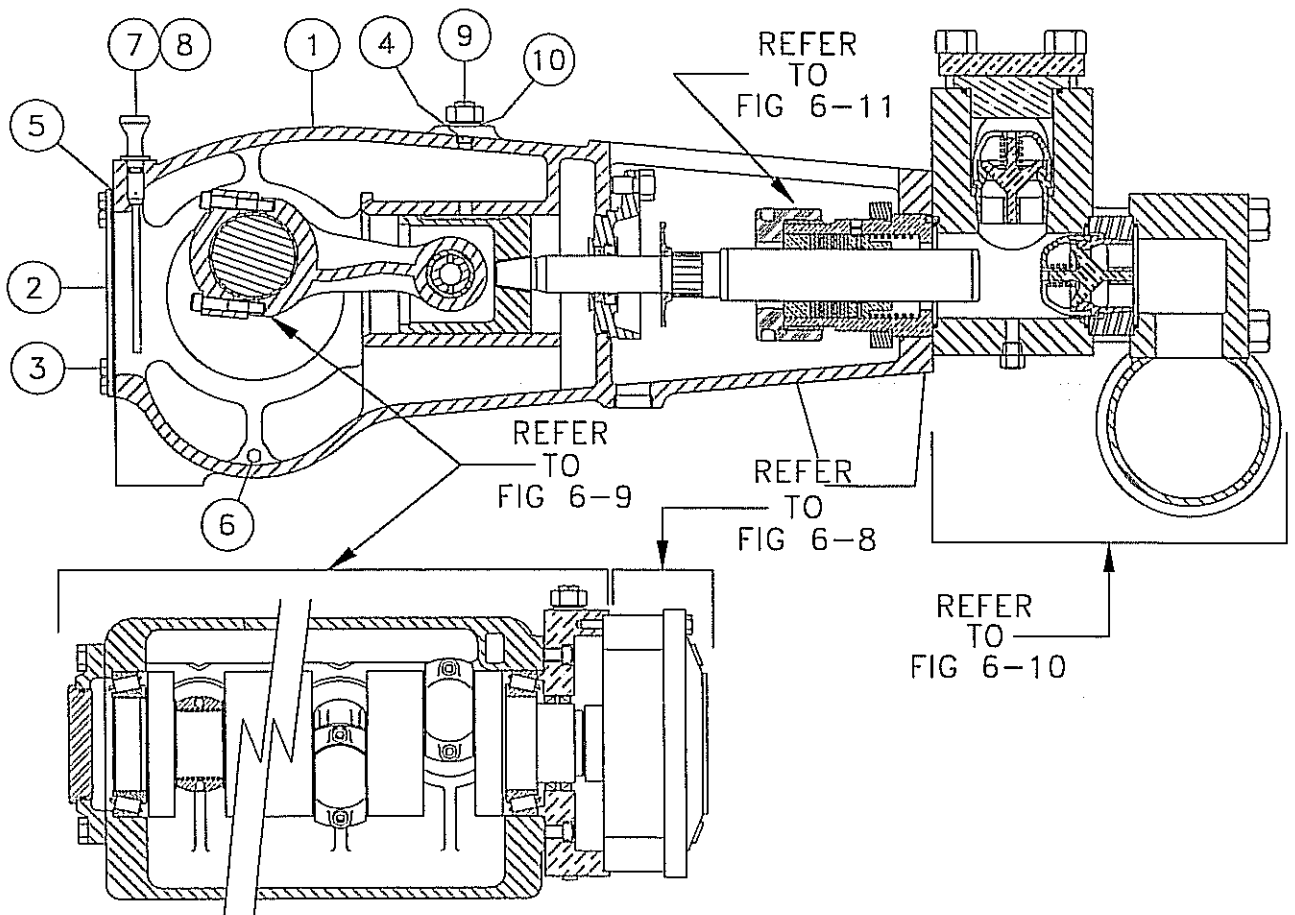
Figure 6-6



<u>REF. NO.</u>	<u>PART NO.</u>	<u>DESCRIPTION</u>	<u>QTY.</u>
6-6	1	904882-001 50LBS BAG QUICK GELL BENTONITE	1
		123596-001 BORE-GEL (50 LB BAG)	1
6-6	2	905216-001 POLYMER (5 GAL.)	1
		123595-001 EZ-MUD - 5 GALLON	1

WATER PUMP COMPONENTS - SC-115L

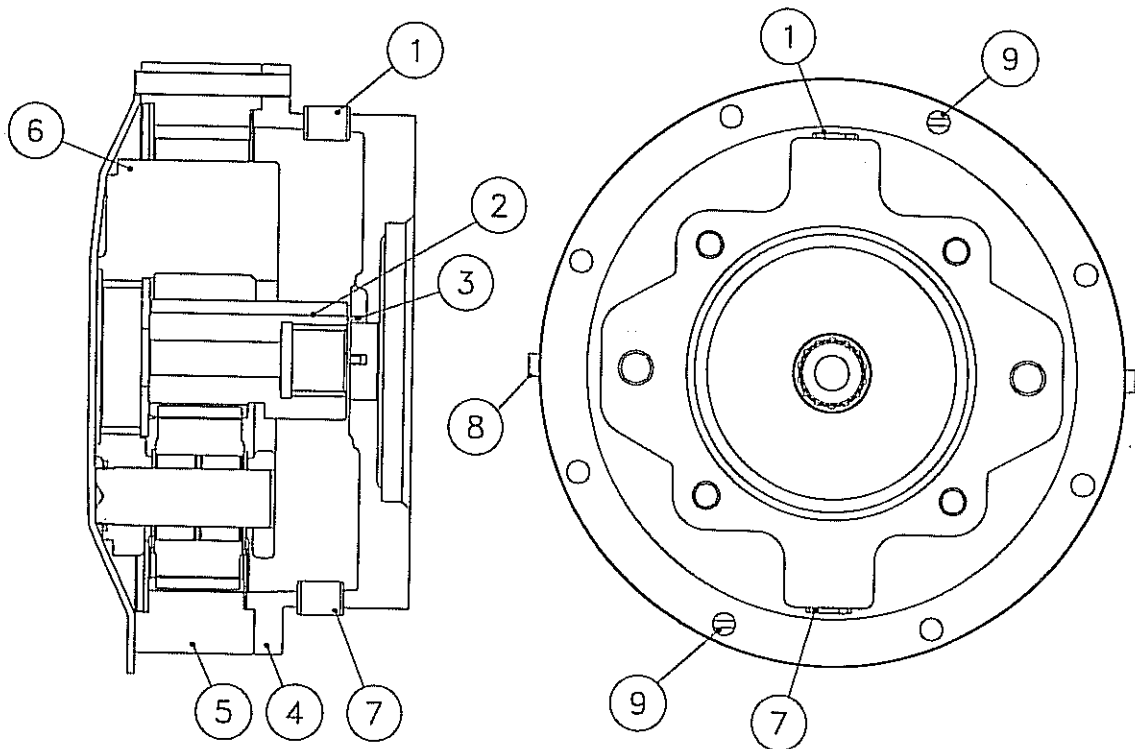
Figure 6-7



REF. NO.	PART NO.	DESCRIPTION	QTY.
6-7	1	239383-005 POWER FRAME (FOR DIPSTICK)	1
6-7	2	239383-007 CRANKCASE COVER	1
6-7	3	220741-009 3/8-16X5/8 HHCS	12
6-7	4	239383-009 PLUG-1/4 NPT SOCKET HEAD PLUG	5
6-7	5	239383-011 GASKET-CRANKCASE COVER	1
6-7	6	239383-013 PLUG-1/2 NPT SQ HEAD	2
6-7	7	224408-081 OIL LEVEL DIPSTICK	1
6-7	8	224408-083 O-RING	1
6-7	9	220741-019 BREATHER-CRANKCASE 3/4M NPT	1
6-7	10	239383-015 PLUG-1/2 NPT SOCKET HEAD	5

GEARBOX COMPONENTS

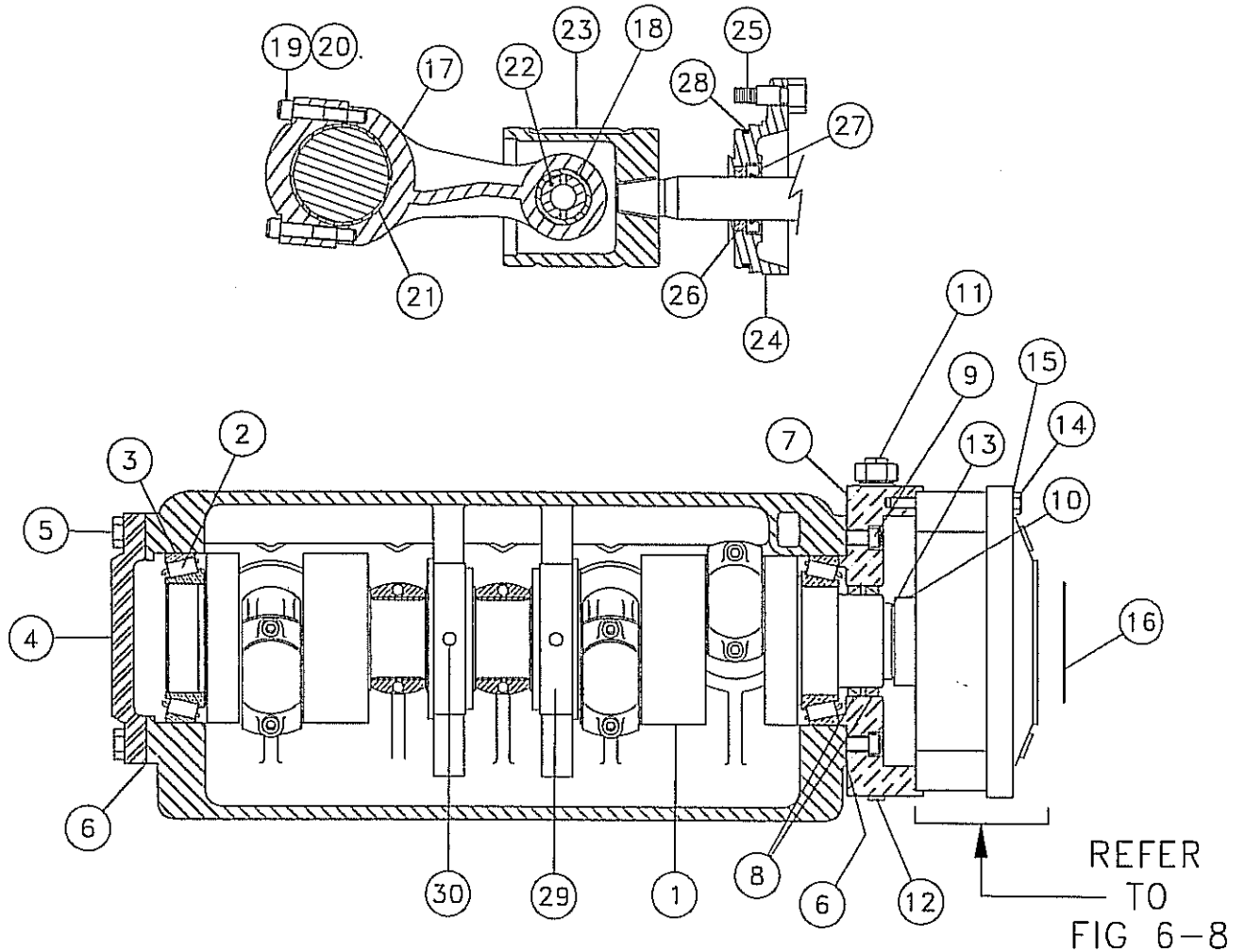
Figure 6-8



<u>REF. NO.</u>	<u>PART NO.</u>	<u>DESCRIPTION</u>	<u>QTY.</u>
6-8	1	221652-039 PIPE PLUG (FILLER)	1
6-8	2	234267-005 GEAR-SUN 6"	1
6-8	3	131488-021 THRUST WASHER	1
6-8	4	234352-001 MOTOR MOUNT HOUSING ASSEMBLY (INC. REF. 9)	1
6-8	5	234267-007 GEAR-RING	1
6-8	6	234267-009 SEC CARRIER ASSEMBLY	1
6-8	7	221652-035 MAGNETIC PLUG	1
6-8	8	221652-015 PIPE PLUG	2
6-8	9	100003-001 PLUG-1/8 BLK.PIPE HEX CTSK	2
	234354-001	GEAR BOX KIT-MODIFIED (INC. REF. 1-9)	

WATER PUMP COMPONENTS - SC-115L (CONTINUED)

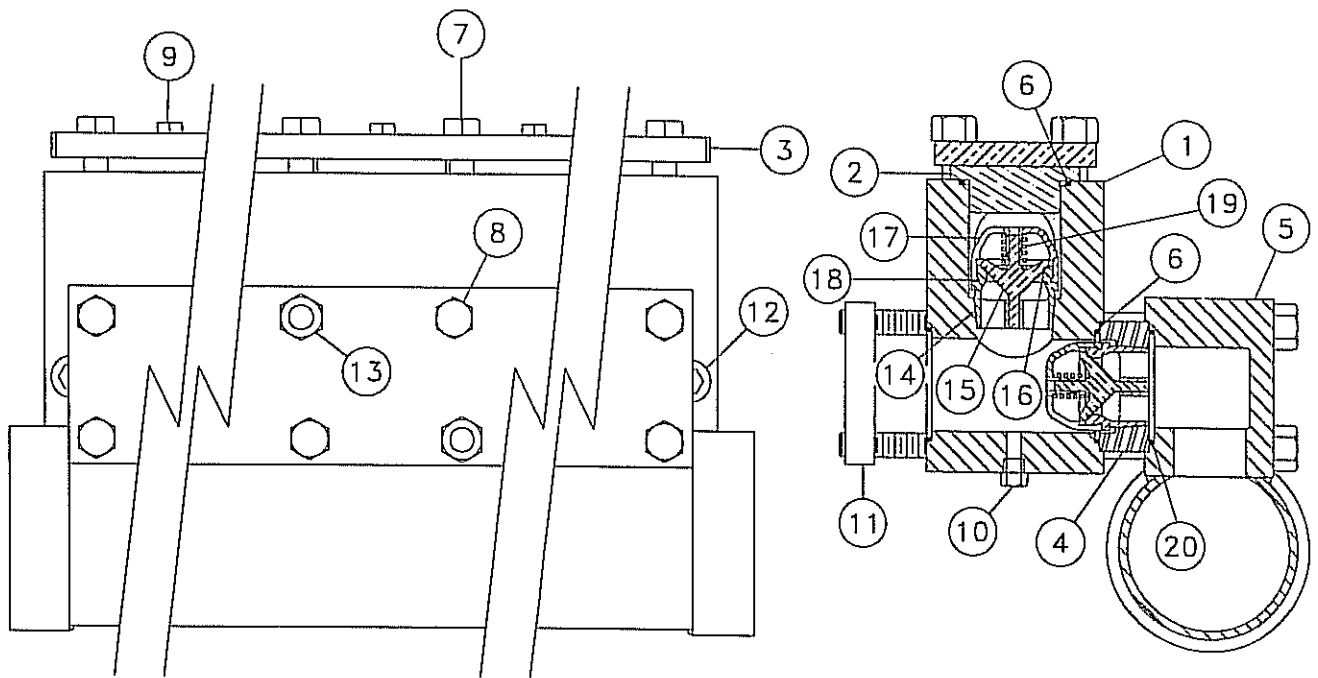
Figure 6-9



REF. NO.	PART NO.	DESCRIPTION	QTY.	REF. NO.	PART NO.	DESCRIPTION	QTY.
6-9	1	239383-059	1	6-9	16	239383-087	1
6-9	2	234309-005	2	6-9	17	224408-085	5
6-9	3	234309-007	2	6-9	18	224408-087	5
6-9	4	234309-009	1	6-9	19	4478-024	5
6-9	5	224408-097	6	6-9	20	480-007	10
6-9	6	234309-011	1	6-9	21	224408-089	10
6-9	7	234309-013	1	6-9	22	224408-091	5
6-9	8	239383-079	2	6-9	23	224408-093	5
6-9	9	55419-001	6	6-9	24	224408-095	5
6-9	10	234309-017	1	6-9	25	224408-097	10
6-9	11	220741-019	1	6-9	26	224408-099	5
6-9	12	234309-019	4	6-9	27	224408-101	5
6-9	13	234309-021	1	6-9	28	224408-103	5
6-9	14	234309-023	6	6-9	29	239383-017	2
6-9	15	234309-025	6	6-9	30	239383-089	2
						CRANKSHAFT	
						BEARING CONE	
						BEARING CUP	
						BLIND BEARING CUP	
						HEX HEAD CAP SCREW 1/2 X 1 1/2	
						SHIM SET	
						BEARING RETAINER	
						OIL SEAL	
						SCREW-1/2-13X2 SOCKET HEAD CAP	
						PLANETARY OUTPUT SHAFT	
						BREATHER-CRANKCASE 3/4M NPT	
						1/4 NPT PIPE PLUG	
						SNAP RING	
						5/ 16-18 HEX HD CAPSCREW 3 1/4	
						WASHER-STAT-O-SEAL- 5/16	
						O-RING	
						CONNECTING ROD (INC. REF. 18, 19 & 20)	
						WRIST PIN BUSHING	
						3/8-16X2 1/2 SOCK HD.	
						WASHER-3/8 S/T LOCK	
						CRANK PIN BEARING HALF	
						WRIST PIN	
						CROSSHEAD	
						WIPER BOX	
						HEX HEAD CAP SCREW 1/2 X 1 1/2	
						POLYPAK RING	
						OIL SEAL-WIPER BOX	
						O-RING-WIPER BOX	
						BEARING-CENTER	
						SET SCREW-3/8 NC X1 1/2 SOC HD	

WATER PUMP COMPONENTS - SC-115L (CONT.)

Figure 6-10

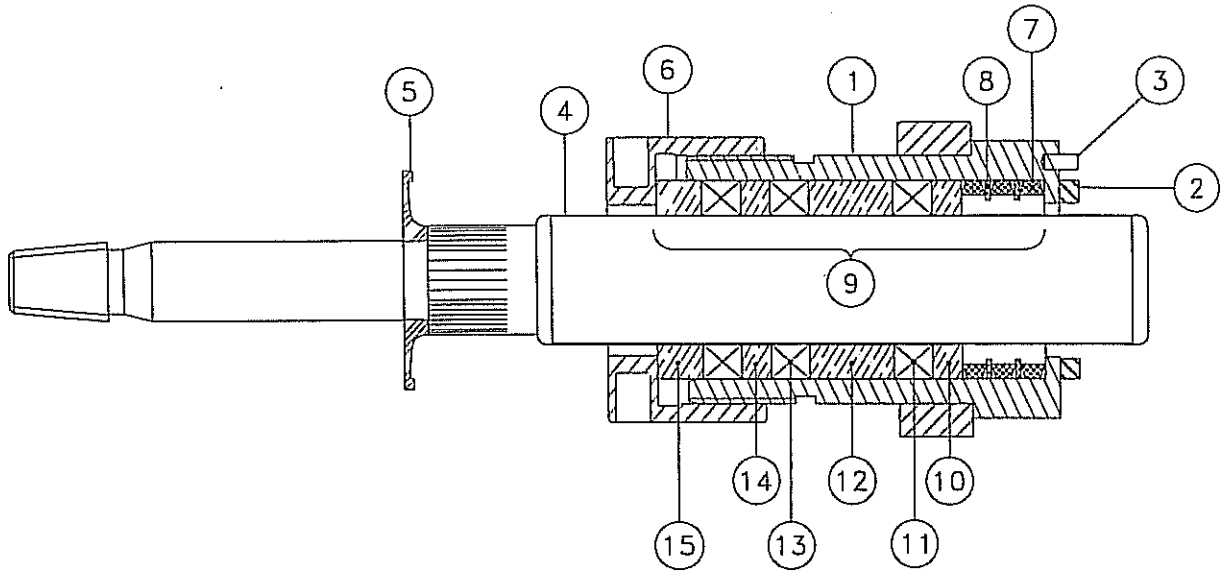


REF. NO.	PART NO.	DESCRIPTION	QTY.
6-10	1	239383-061 FLUID END-FORGED STEEL	1
6-10	2	239383-063 SET SCREW - VALVE COVER PLUG	5
6-10	3	239383-019 VALVE COVER RETAINER PLATE	1
6-10	4	239383-065 SET SCREW -SUCTION MANIFLD DCK	5
6-10	5	239383-067 SUCTION MANIFOLD	1
6-10	6	239383-021 O-RING	20
6-10	7	239383-069 CAP SCREW-3/4 NC X 2 1/4 HEX H	12
6-10	8	239383-071 CAP SCREW-3/4 NC X 13 HEX HEAD	10
6-10	9	239383-023 CAP SCREW-1/2 NC-1 1/4 HEX HD	5
6-10	10	239383-073 PIPE PLUG-1/4 NC HEX HEAD	5
6-10	11	239383-075 RETAINER PLATE	1
6-10	12	239383-077 CAP SCREW-7/8 NC X 6 1/4 HEX H	2
6-10	13	239383-081 STUD-P.E. TO L.E.	2
6-10	14	239383-025 VALVE SEAT-HARDENED STAINLESS	10
6-10	15	239383-027 DOUBLE STEM VAVLE 17-4PH SS	10
6-10	16	239383-029 O-RING POLYURETHANE SIZE 2-030	10
6-10	17	239383-031 GUIDE CAGE-STAINLESS STEEL	10
6-10	18	239383-033 O-RING NITRILE RUBBER-2-035	10
6-10	19	239383-035 VALVE SPRING-ICONEL(1 9/16 FL)	10
6-10	20	239383-037 O-RING - 154	5

Handwritten notes:
 172.168
 260.64
 12.54
 169.90
 4.61
 14.75
 6.80

WATER PUMP COMPONENTS - SC-115L (CONT.)

Figure 6-11

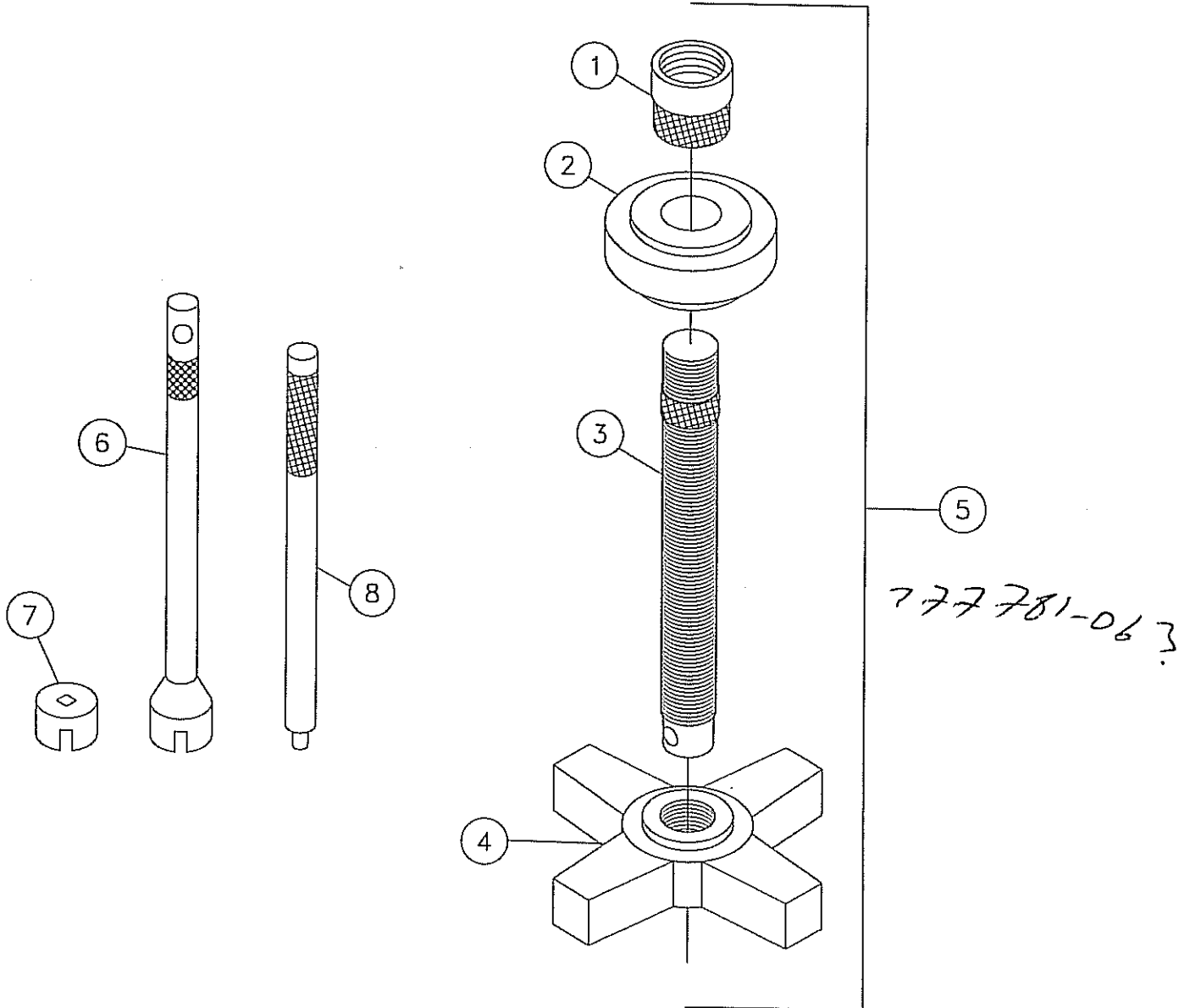


REF. NO.	PART NO.	DESCRIPTION	QTY.
6-11	1	239383-039 STUFFING BOX (2 3/4 PLUNGER)	1
6-11	2	224408-131 SEAL-STUFFING BOX (RUBBER)	1
6-11	3	239383-041 ROLL PIN - 1/4 X 5/8	1
6-11	4	239383-003 PLUNGER-2.75"DIA. CHROME OXIDE	1
6-11	5	224408-133 BAFFLE PLATE-RUBBER	1
6-11	6	239383-043 STUFFING BOX GLAND -2 3/4 PLNG	1
6-11	7	239383-045 ELASTOMER SPRING	3
6-11	8	239383-047 SPRING SPACER	2
6-11	9	239383-049 PACKING ASSY - HI/LO (INC. REF. 10 & 15)	1
		239383-051 PACKING SET (PACKING ONLY)	1
		(INC. REF. 11 & 13)	1
5-11	10	239383-091 SPRING ADAPTER-BRONZE	1
6-11	11	239383-093 STYLE-140 PACKING	1
6-11	12	239383-095 SPACER-BRONZE	1
6-11	13	239383-097 STYLE 141 PACKING	2
6-11	14	239383-099 SPACER-BRONZE	1
6-11	15	239383-101 GLAND RING-BRONZE	1

MOB 244643-031

WATER PUMP COMPONENTS - SC-115L (CONT.)

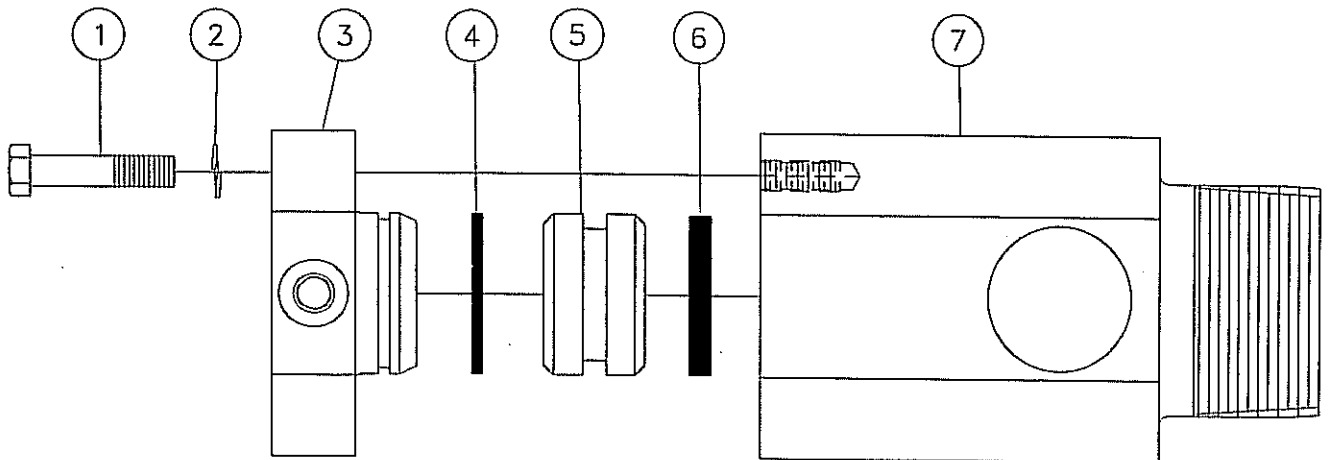
Figure 6-12



REF. NO.	PART NO.	DESCRIPTION	QTY.
6-12	1	224408-165 PULLER HEAD	1
6-12	2	239383-053 BRIDGE	1
6-12	3	224892-001 STEM PULLER	1
6-12	4	224893-001 WING NUT	1
6-12	5	239383-083 VALVE PULLER ASSEMBLY	1
6-12	6	239383-055 CAGE WRENCH	1
6-12	7	239383-057 CAGE SOCKET	1
6-12	8	239383-085 GLAND NUT WRENCH	1

WATER PUMP OUTLET COMPONENTS

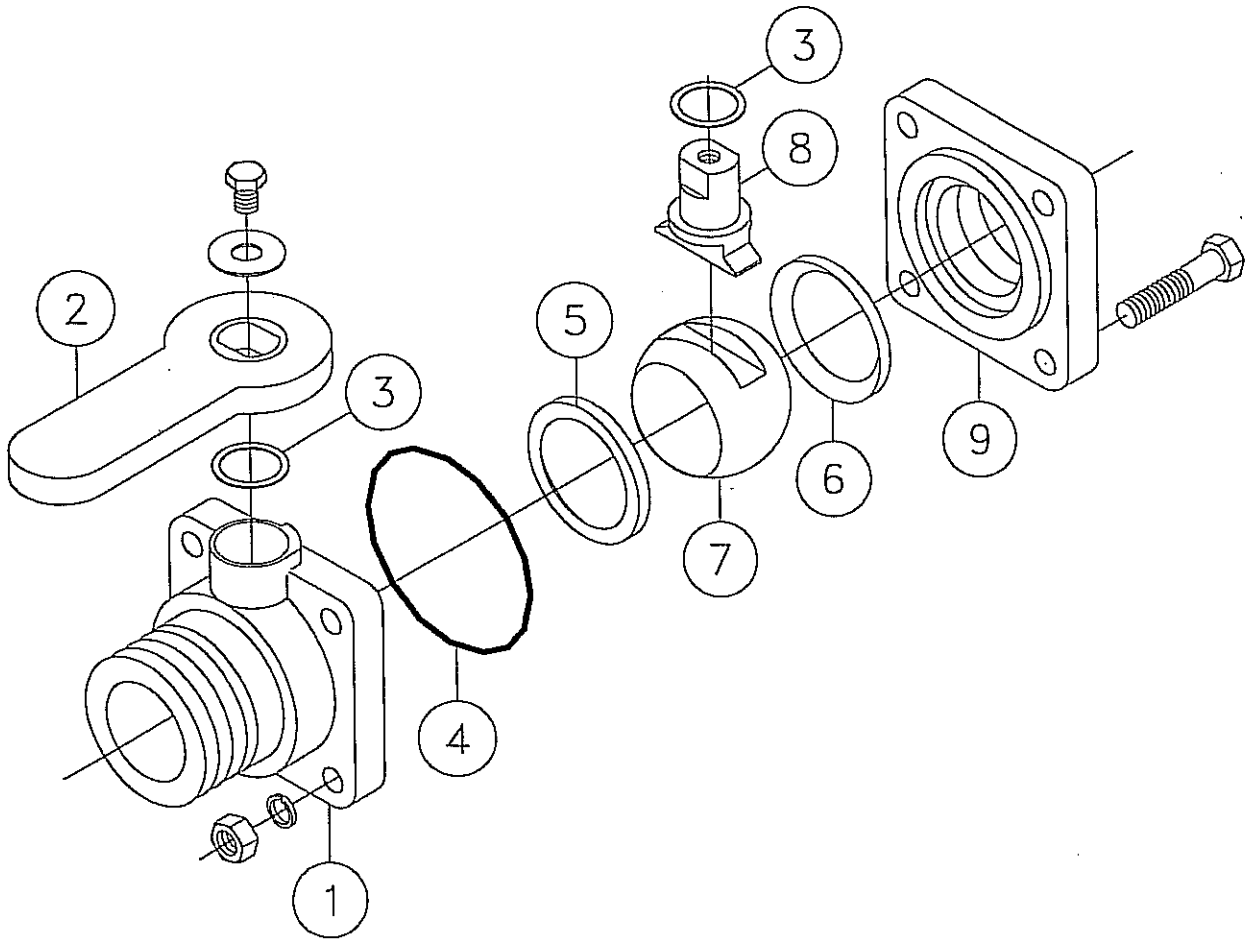
Figure 6-13



<u>REF. NO.</u>	<u>PART NO.</u>	<u>DESCRIPTION</u>	<u>QTY.</u>
6-13	1	354-016 BOLT-3/8-16X1 3/4*GRADE#5 HEX	6
6-13	2	480-007 WASHER-3/8 S/T LOCK	6
6-13	3	239468-001 ENDCAP-SC115L OUTLET FITTING	1
6-13	4	51163-001 O-RING	1
6-13	5	239252-001 PISTON-SC65 OUTLET FITTING	1
6-13	6	51181-001 O-RING	1
6-13	7	239467-001 FITTING-APLEX SC115L OUTLET	1
	239471-001	WATER PUMP OUTLET ASSY -SC115L (INC. ALL ITEMS IN THIS FIGURE)	

BALL VALVE COMPONENTS - 2" M & F

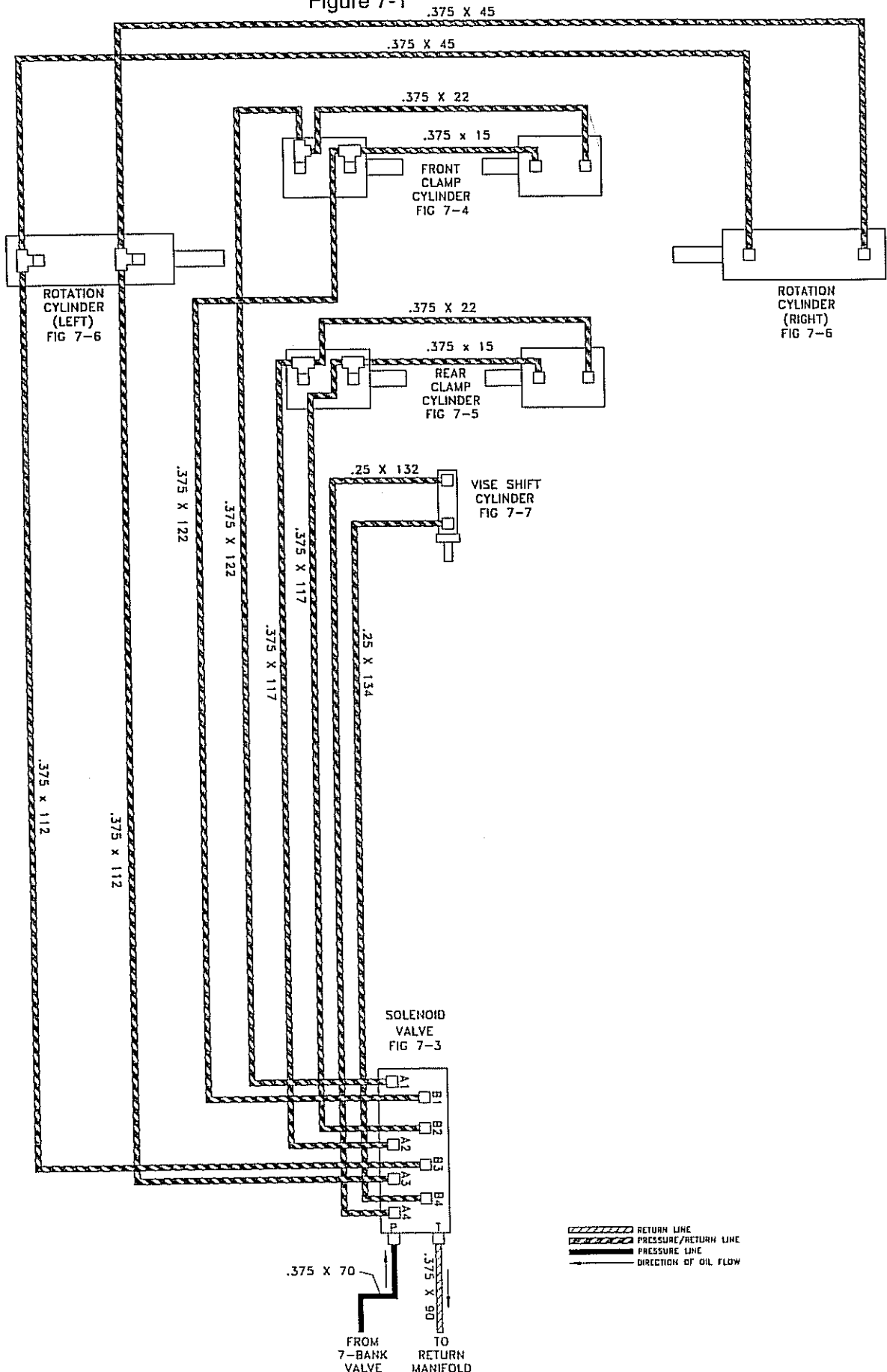
Figure 6-14



<u>REF. NO.</u>	<u>PART NO.</u>	<u>DESCRIPTION</u>	<u>QTY.</u>
6-14	1	236045-003 BODY-2" MNPT	1
6-14	2	236045-005 HANDLE-SHORT	1
6-14	3	224942-011 THRUST WASHER	2
6-14	4	236045-007 GASKET-BODY	1
6-14	5	236045-009 SEAT	1
6-14	6	236045-011 SEAT	1
6-14	7	236045-013 BALL	1
6-14	8	236045-015 STEM	1
6-14	9	224942-013 END PLATE	1
	236045-001	VALVE-2" FPTX2" MPT POLY BALL (INC. ALL ITEMS IN FIGURE)	

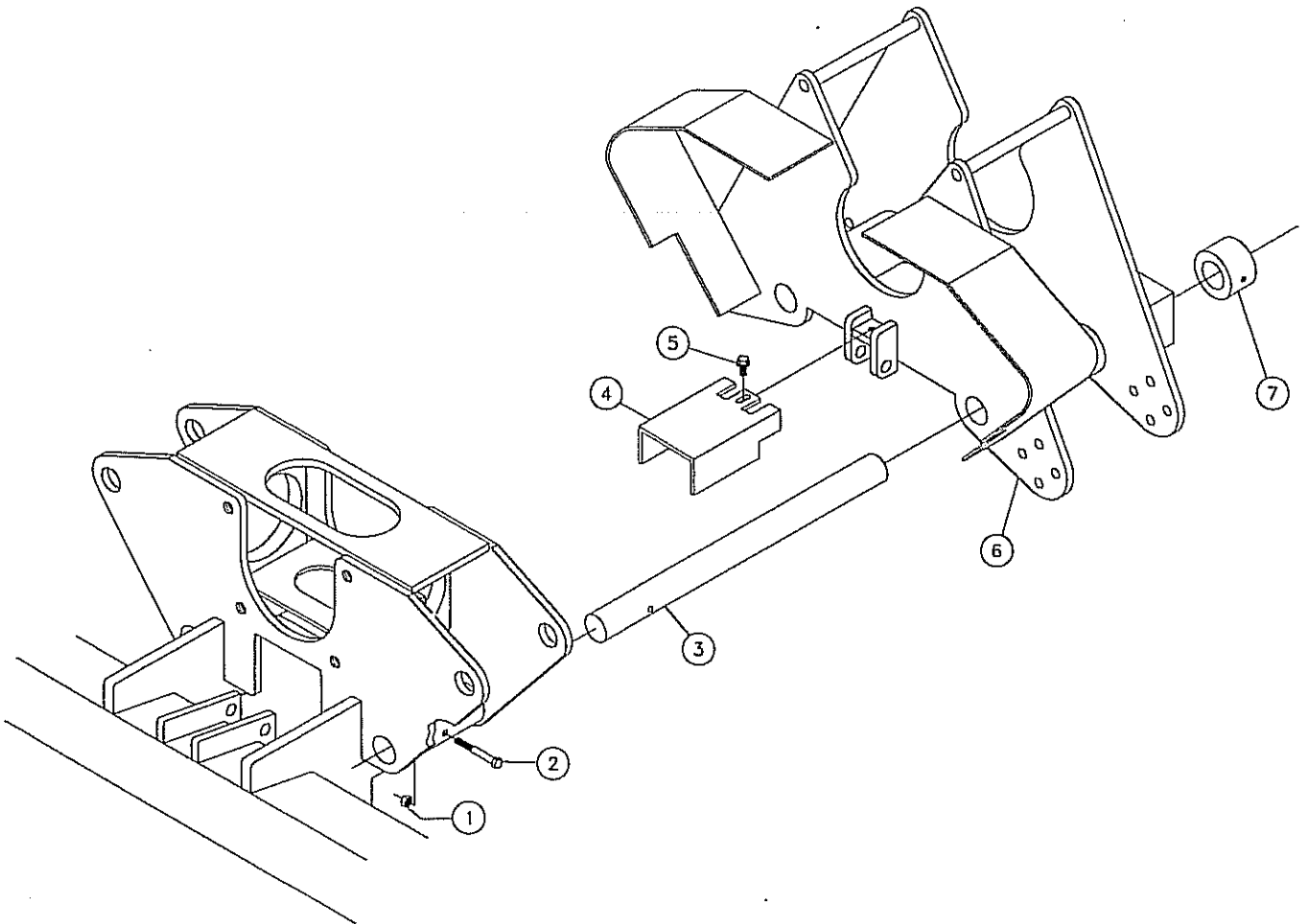
HYDRAULIC COMPONENTS LOCATION DIAGRAM - OPEN TOP PIPE VISE

Figure 7-1



CARRIAGE ASSEMBLY - REAR VISE

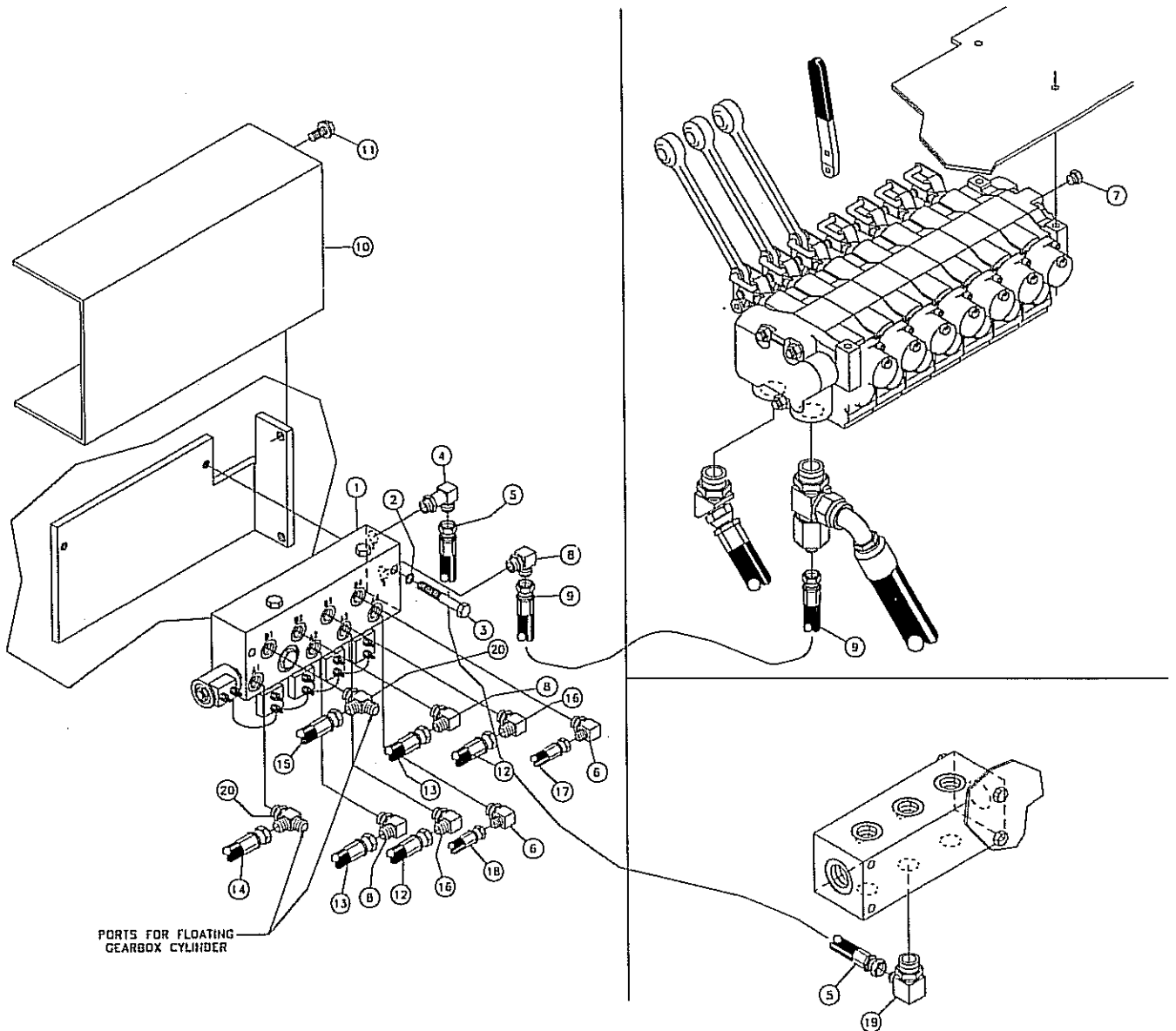
Figure 7-2



<u>REF. NO.</u>	<u>PART NO.</u>	<u>DESCRIPTION</u>	<u>QTY.</u>
7-2	1	409-001 NUT-5/16 NC SLTL	2
7-2	2	351-030 5/16-18X3*GRADE #5 HEX BOLT	2
7-2	3	234299-001 PIN-VISE SLIDE	2
7-2	4	234412-001 SHIELD-CYLINDER	1
7-2	5	4475-006 BOLT-3/8-16X3/4 FLG WHIZ	2
7-2	6	234294-001 CARRIAGE-REAR VISE	1
7-2	7	239462-001 SPACER-VISE SLIDE	2

SOLENOID VALVE ASSEMBLY - PIPE VISE

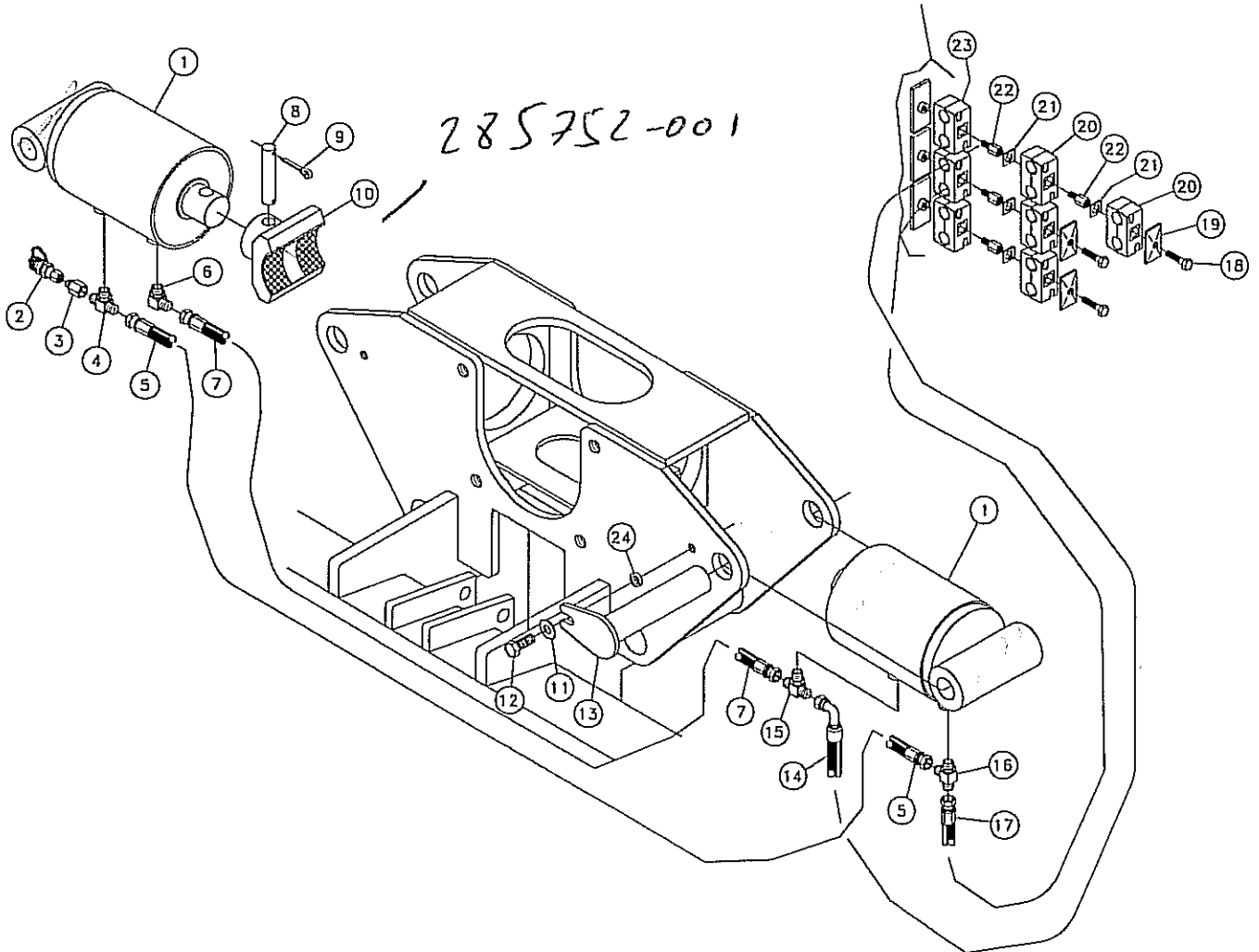
Figure 7-3



REF. NO.	PART NO.	DESCRIPTION	QTY.	REF. NO.	PART NO.	DESCRIPTION	QTY.
7-3	1	234324-001 VALVE-4 SECTION 3 WAY SOLENOID (BREAKDOWN FIG. 7-9)	1	7-3	11	4475-006 BOLT-3/8-16X3/4 FLG WHIZ	2
7-3	2	480-007 WASHER-3/8 S/T LOCK	2	7-3	12	57940-167 HOSE-3/8X112 6FS JIC (100R1)	2
7-3	3	354-024 BOLT-3/8-16X2 1/2 GRADE#5 HEX	2	7-3	13	57940-485 HOSE-3/8X117 6FS JIC 3500 PSI	2
7-3	4	65570-001 6M X 6M JIC 90 DEGREE LONG	1	7-3	14	57940-547 HOSE-3/8X122 6 FS 3000 PSI	1
7-3	5	57940-057 HOSE-3/8X90 6FS JIC (100R1)	1	7-3	15	239314-001 HOSE-3/8X122 6FS JIC 90/ST	1
7-3	6	600118-001 FITTING-6MORINGX4MJIC90PARKER	2	7-3	16	122606-001 FITTING-6MX6M JIC90 DEG/ RSTS	2
7-3	7	83635-001 PLUG-#6 JIC MALE	1	7-3	17	53843-215 HOSE-1/4X134 4FS JIC 3000 PSI	1
7-3	8	59426-001 FITTING-6M JICX6M ADJ 90 ELBOW	3	7-3	18	53843-201 HOSE-1/4X132 4FS JIC 3000 PSI	1
7-3	9	57940-169 HOSE-3/8X70 6FS JIC (100R2)	1	7-3	19	59401-001 6M JICX10M ADJ. 90 DEG.ELBOW	1
7-3	10	244599-001 SHIELD-VALVE	1	7-3	20	68774-001 FITTING-6MX6M JIC (RUN)X6M JIC	2

CLAMP CYLINDER ASSEMBLY (FRONT)

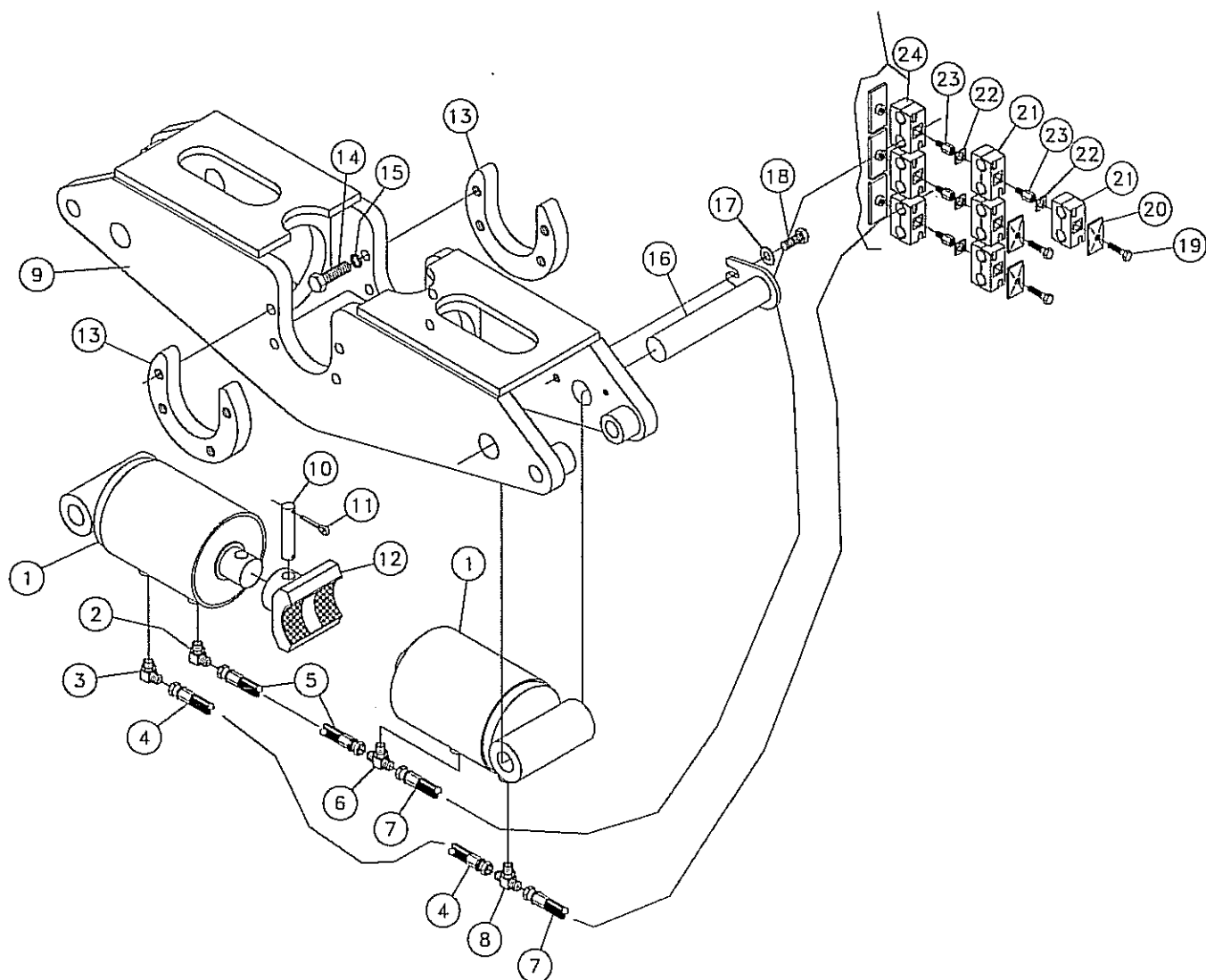
Figure 7-4



REF. NO.	PART NO.	DESCRIPTION	QTY.	REF. NO.	PART NO.	DESCRIPTION	QTY.
7-4	1	234292-001	2	7-4	13	234402-001	2
7-4	2	83015-001	1	7-4	14	239314-001	1
7-4	3	59928-001	1	7-4	15	122605-001	1
7-4	4	68787-001	1	7-4	16	68774-001	1
7-4	5	57940-479	1	7-4	17	57940-547	1
7-4	6	122606-001	1	7-4	18	351-012	6
7-4	7	57940-617	1	7-4	19	67846-003	6
7-4	8	216447-001	2	7-4	20	67846-005	8
7-4	9	510-021	4	7-4	21	231758-001	8
7-4	10	230864-001	2	7-4	22	231757-001	8
		230946-001	2	7-4	23	900035-005	6
7-4	11	485-011	2	7-4	24	1081-001	2
7-4	12	358-014	2				

CLAMP CYLINDER ASSEMBLY (REAR)

Figure 7-5

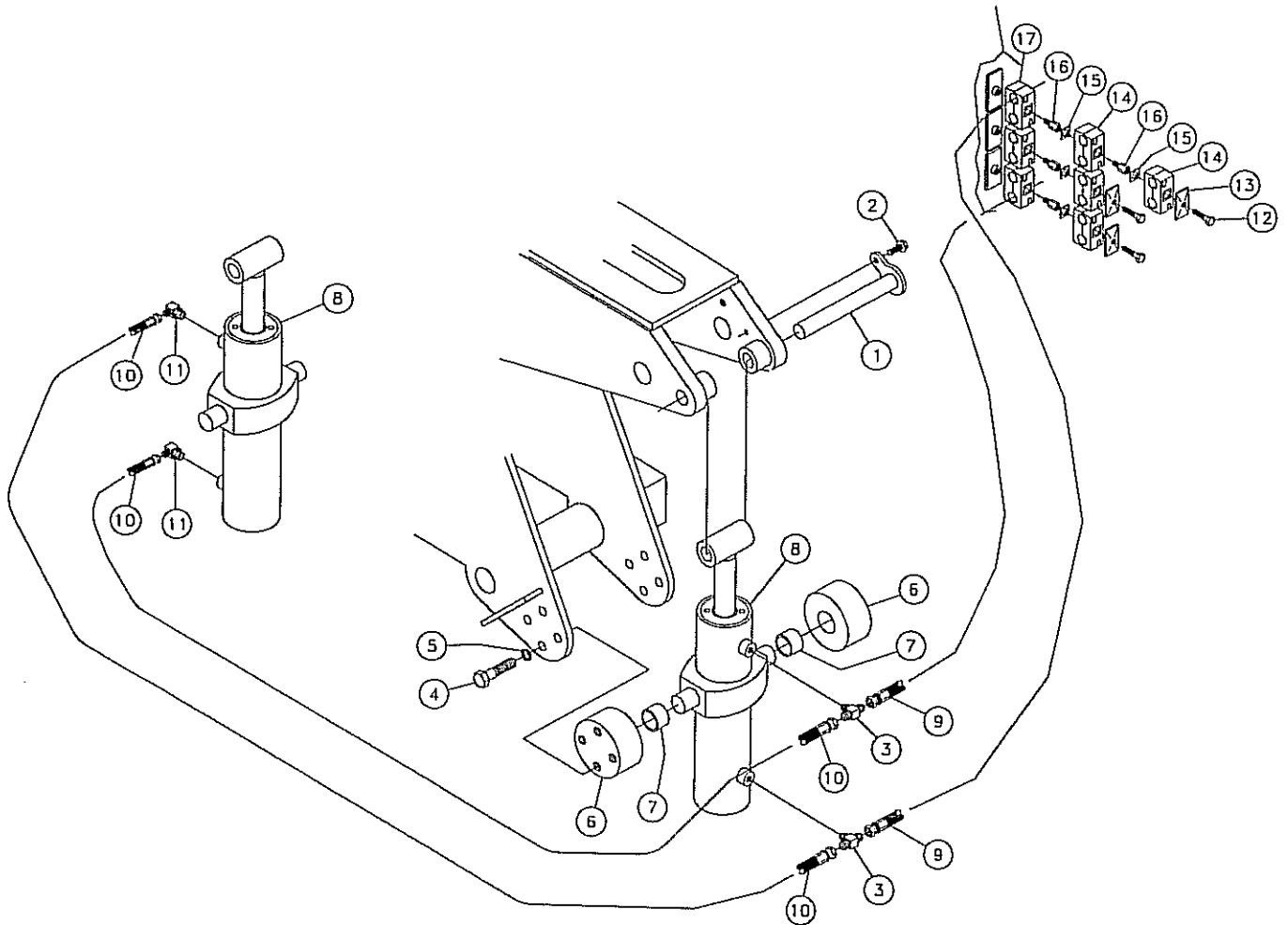


283581-001

REF. NO.	PART NO.	DESCRIPTION	QTY.	REF. NO.	PART NO.	DESCRIPTION	QTY.
7-5	1	234292-001 CYLINDER-5"X2" HYD. (BREAKDOWN FIG. 7-10)	2	7-5	13	230946-001 GRIP- (3 1/2" ROD)	2
7-5	2	122606-001 FITTING-6MX6M JIC90 DEG/W/ RSTS	1	7-5	14	222426-001 PLATE-VISE INSERT	2
7-5	3	59426-001 FITTING-6M JICX6M ADJ 90 ELBOW	1	7-5	15	366-022 BOLT-5/8-11X2 1/4" GRADE#5 HEX	8
7-5	4	57940-479 HOSE-3/8X22 6FS JIC 3000 PSI	1	7-5	16	480-015 WASHER-5/8 S/T LOCK	8
7-5	5	57940-617 HOSE-3/8X15 6FS JIC 3000 PSI	1	7-5	17	234407-001 PIN-VISE CYLINDER	2
7-5	6	122605-001 FITTING-6M JIC BCH TEE W/ RSTS	1	7-5	18	485-011 WASHER-1/2 FLAT	2
7-5	7	57940-485 HOSE-3/8X117 6FS JIC 3500 PSI	2	7-5	19	358-012 BOLT-1/2-13 X 1 1/4 GR #5 HEX	2
7-5	8	68787-001 FITTING-6M (BCH)X6M JICX6M JIC	1	7-5	20	351-012 BOLT-5/16"-18X1 1/4"GR5 HEX	6
7-5	9	234295-001 CRADLE-VISE	1	7-5	21	67846-003 PLATE-TWIN COVER	6
7-5	10	216447-001 PIN-JAW	2	7-5	22	67846-005 CLAMP-TWIN	8
7-5	11	510-021 COTTER PIN-3/16" X 1"	4	7-5	23	231758-001 WASHER-SAFETY(1/2" HEX ID)	8
7-5	12	230864-001 GRIP- (2 7/8" ROD)	2	7-5	24	231757-001 BOLT-CLAMP STACKING 5/16"THREAD	8
				7-5	24	900035-005 CLAMP-3/8"DOUBLE HOSE	6

ROTATION CARRIAGE CYLINDER ASSEMBLY

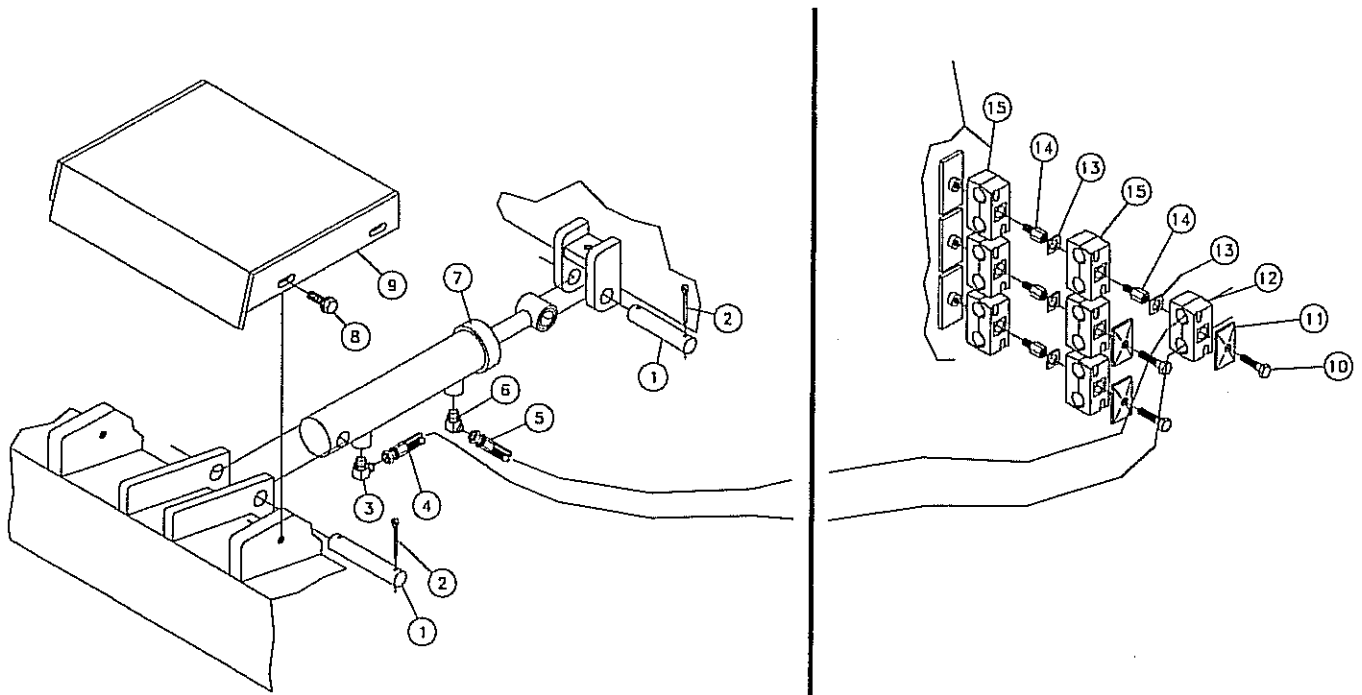
Figure 7-6



REF. NO.	PART NO.	DESCRIPTION	QTY.
7-6	1	230761-001 ROTATION PIN	2
7-6	2	4475-006 BOLT-3/8-16X3/4 FLG WHIZ	2
7-6	3	68787-001 FITTING-6M (BCH)X6M JICX6M JIC	2
7-6	4	366-020 5/8-11X2"GRADE#5 HEX BOLT	16
7-6	5	480-015 WASHER-5/8 S/T LOCK	16
7-6	6	222433-001 MOUNT- TRUNION	4
7-6	7	70070-003 BEARING-COMPOSITE 1 LONG	4
7-6	8	239275-001 CYLINDER-2 1/2 X 5 TRN MNT (BREAKDOWN FIG. 7-11)	2
7-6	9	57940-167 HOSE-3/8X112 6FS JIC (100R1)	2
7-6	10	57940-589 HOSE-3/8X45 6FS JIC 3000PSI	2
7-6	11	59426-001 FITTING-6M JICX6M ADJ 90 ELBOW	2
7-6	12	351-012 BOLT-5/16"-18X1 1/4"GR5 HEX	6
7-6	13	67846-003 PLATE-TWIN COVER	6
7-6	14	67846-005 CLAMP-TWIN	8
7-6	15	231758-001 WASHER-SAFETY(1/2" HEX ID)	8
7-6	16	231757-001 BOLT-CLAMP STACKING 5/16"THREAD	8
7-6	17	900035-005 CLAMP-3/8"DOUBLE HOSE	6

WISE SLIDE CYLINDER ASSEMBLY

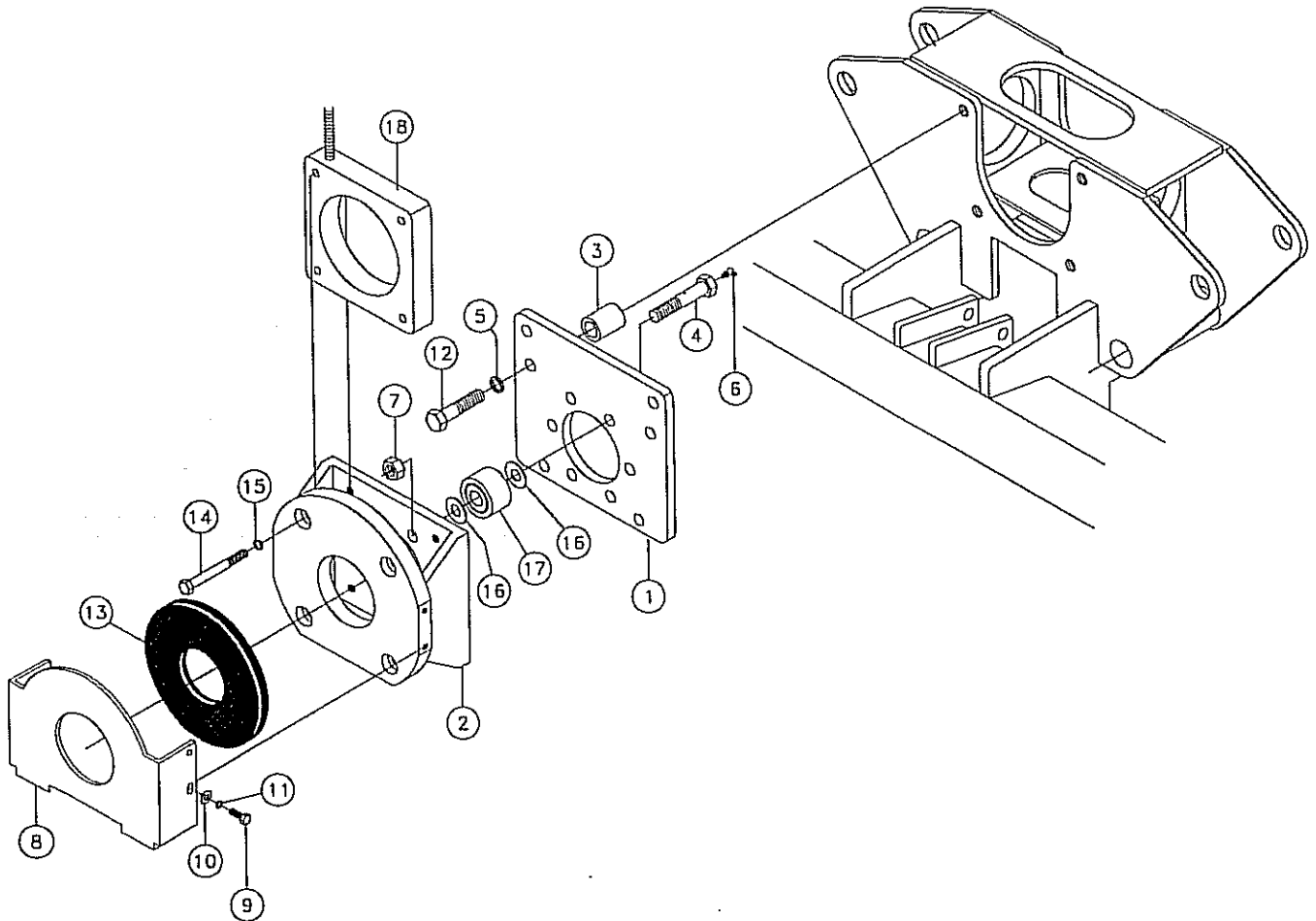
Figure 7-7



REF. NO.	PART NO.	DESCRIPTION	QTY.
7-7	1	239313-001 PIN-CYLINDER	2
7-7	2	510-017 COTTER PIN-5/32" X 1 1/2"	4
7-7	3	59423-001 FIT-4M JICX4M ADJ.90 DEG.ELBOW	1
7-7	4	53843-201 HOSE-1/4X132 4FS JIC 3000 PSI	1
7-7	5	53843-215 HOSE-1/4X134 4FS JIC 3000 PSI	1
7-7	6	58295-001 FITTING-4M OR X 4M JIC 45 DEG.	1
7-7	7	223998-001 CYLINDER- 1 1/2 X 6 (BREAKDOWN FIG. 7-12)	1
7-7	8	4475-010 BOLT-3/8-16X1 FLANGE WHIZ	4
7-7	9	234305-001 SHIELD-FLOAT CYLINDER	1
7-7	10	351-012 BOLT-5/16"-18X1 1/4"GR5 HEX	6
7-7	11	67846-003 PLATE-TWIN COVER	6
7-7	12	67846-005 CLAMP-TWIN	8
7-7	13	231758-001 WASHER-SAFETY(1/2" HEX ID)	8
7-7	14	231757-001 BOLT-CLAMP STACKING 5/16THREAD	8
7-7	15	900035-005 CLAMP-3/8"DOUBLE HOSE	6

ZAP ALERT ASSEMBLY

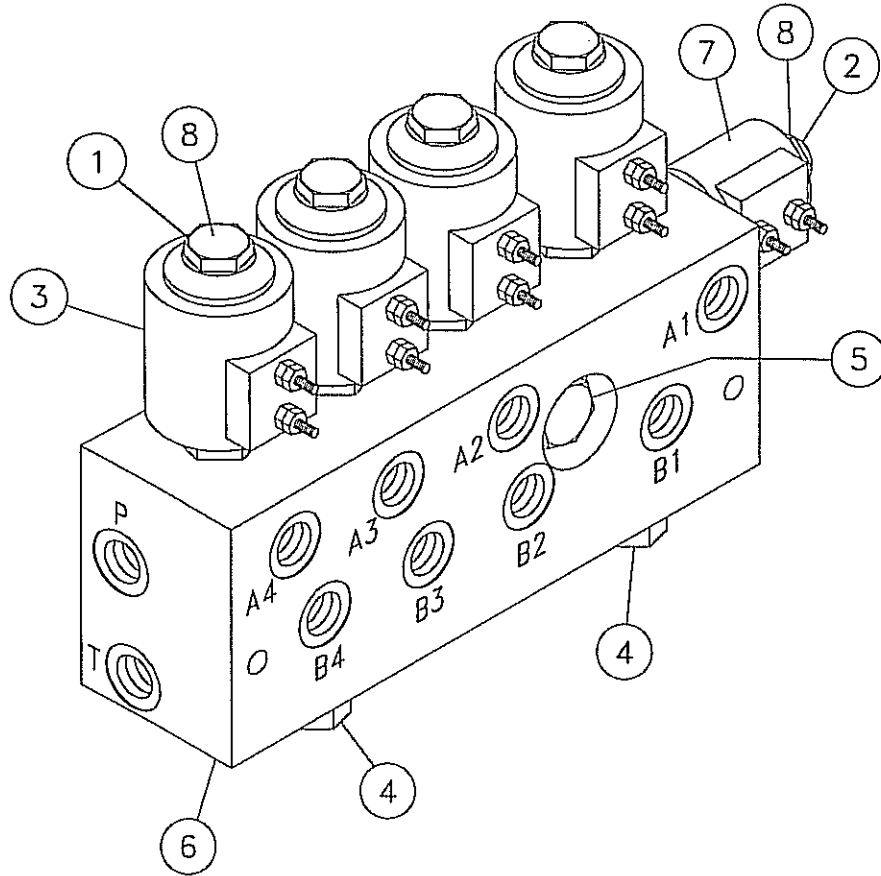
Figure 7-8



<u>REF. NO.</u>	<u>PART NO.</u>	<u>DESCRIPTION</u>	<u>QTY.</u>
7-8	1	234486-001 MOUNT-WIPER HOLDER	1
7-8	2	234461-001 HOLDER-ROD WIPER	1
7-8	3	1096-005 TUBE-LINKAGE-SHAFT CLAMP	4
7-8	4	234426-003 BOLT ASSEMBLY-ROLLER MOUNT (INC. REF. 6)	6
7-8	5	480-017 WASHER-3/4 S/T LOCK	4
7-8	6	597-001 ZERK-1/4" NF 90 DEG GREASE	6
7-8	7	434-001 NUT-3/4 NC SLTL	6
7-8	8	234462-001 STOP-WIPER	1
7-8	9	354-010 BOLT-3/8"-16X1"	4
7-8	10	485-007 WASHER-3/8 FLAT	4
7-8	11	480-007 WASHER-3/8 S/T LOCK	4
7-8	12	369-034 BOLT-3/4-10X3 1/2" GR5 HEX	4
7-8	13	235925-001 WIPER-2 7/8 OD ROD	1
		235926-001 WIPER-3 1/2 OD ROD	1
7-8	14	358-044 1/2-13X4 1/2"GRADE#5 HEX BOLT	4
7-8	15	480-011 WASHER-1/2 S/T LOCK	4
7-8	16	485-017 WASHER-3/4 FLAT	12
7-8	17	224934-001 BEARING-2.50 ROLLER CYR SERIES	6
7-8	18	224922-001 COIL-CURRENT(W/17'COAX CABLE)	1

SOLENOID VALVE COMPONENTS

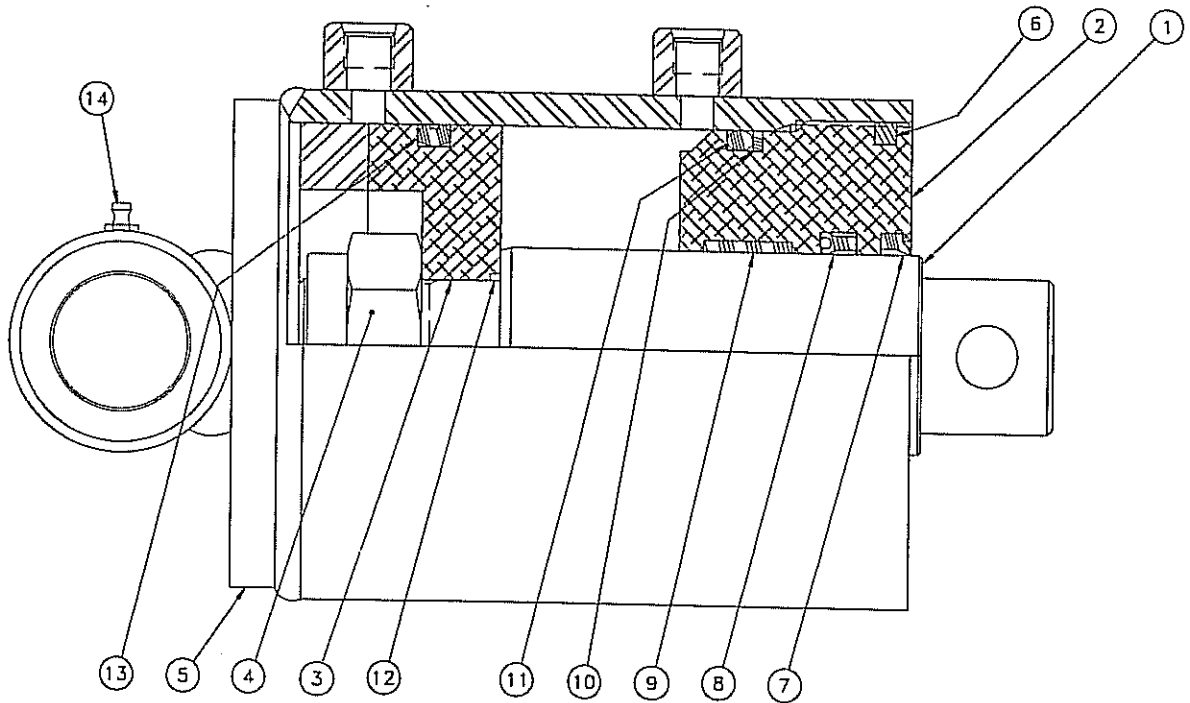
Figure 7-9



REF. NO.	PART NO.	DESCRIPTION	QTY.
7-9	1	228128-003 CARTRIDGE-SOLENOID (INC. SEAL KIT & NUT REF. 8)	3
		206271-007 REPAIR KIT	3
7-9	2	228128-005 CARTRIDGE-SOLENOID (INC. SEAL KIT & NUT REF. 8)	1
		228128-009 SEAL KIT	1
7-9	3	206271-005 COIL-12V DUAL POST	3
7-9	4	228128-013 SENSE CHECK	2
		228128-015 SEAL KIT	2
7-9	5	228128-017 CHECK VALVE	1
		228128-009 SEAL KIT	1
7-9	6	NSS BODY-VALVE	1
7-9	7	228128-007 COIL	1
7-9	8	224886-007 NUT	4
	234324-001	VALVE-4 SECTION 3 WAY SOLENOID (INC. ALL ITEMS IN FIGURE)	
	NSS	NOT SOLD SEPARATELY	

HYDRAULIC CYLINDER COMPONENTS - 5" X 2"

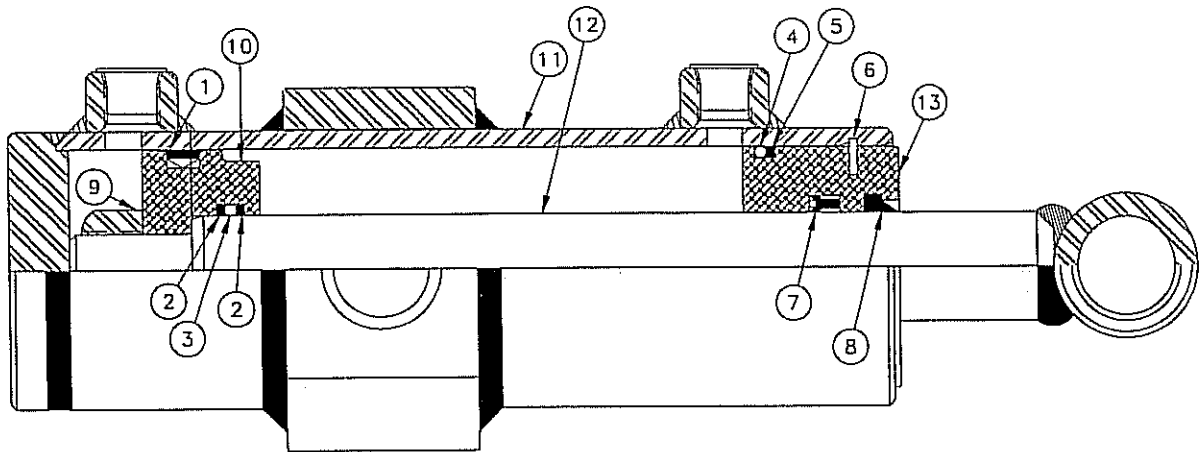
Figure 7-10



REF. NO.	PART NO.	DESCRIPTION	QTY.
7-10	① 221731-003	CYLINDER ROD	1
7-10	2 221731-007	HEAD GLAND	1
7-10	3 221731-009	PISTON	1
7-10	4 85777-031	NUT-1 1/2" 12 LOCK	1
7-10	5 234292-003	TUBE WELDMENT-CYLINDER	1
7-10	6 104012-005	LOCKING INSERT	2
7-10	7 215799-015	ROD WIPER	1
7-10	8 215799-013	POLYPAK	1
7-10	9 221731-011	WEAR BAND	1
7-10	10 89540-011	WASHER-BACKUP	1
7-10	11 85777-019	O-RING	1
7-10	12 221731-013	O-RING	1
7-10	13 85777-025	UNI-RING	1
7-10	14 224445-007	GREASE FITTING	1
	234292-005	SEAL KIT (INC. REF. 6-13)	
	234292-001	CYLINDER-5X2 HYD (INC. REF. 1-14)	

HYDRAULIC CYLINDER COMPONENTS - 2 1/2" X 5"

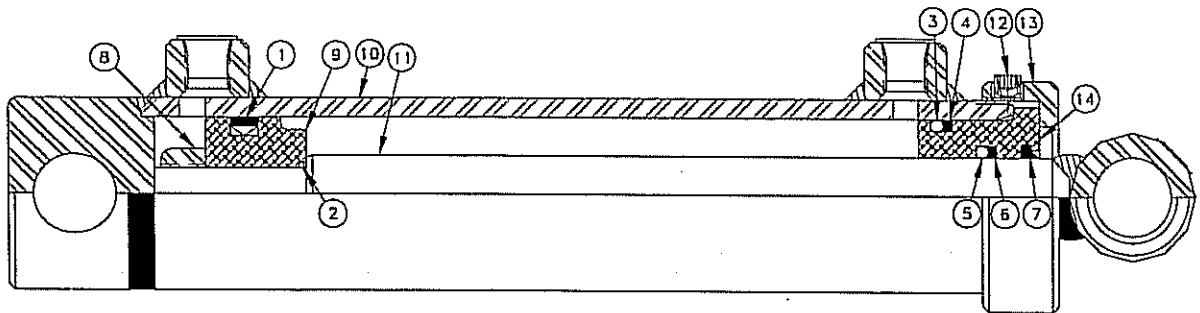
Figure 7-11



REF. NO.	PART NO.	DESCRIPTION	QTY.
7-11	1	200769-001 UNI-RING	1
7-11	2	222440-007 BACK-UP RING	2
7-11	3	221256-013 O-RING	1
7-11	4	221766-017 O-RING	1
7-11	5	200841-001 BACKUP WASHER #228	1
7-11	6	222440-009 INTERNAL SNAP RING	1
7-11	7	205002-001 1 1/8" LOADED U-CUP	1
7-11	8	221256-015 ROD WIPER	1
7-11	9	95631-011 LOCK NUT	1
7-11	10	104628-009 PISTON	1
7-11	11	222440-003 BARREL ASSY	1
7-11	12	239275-003 ROD ASSEMBLY	1
7-11	13	200777-001 GLAND	1
	239275-001	CYLINDER-2 1/2 X 5 TRN MNT (INC. REF. 1-13)	
	222440-011	SEAL KIT (INC. REF. 1-8)	

HYDRAULIC CYLINDER COMPONENTS - 1 1/2" X 6"

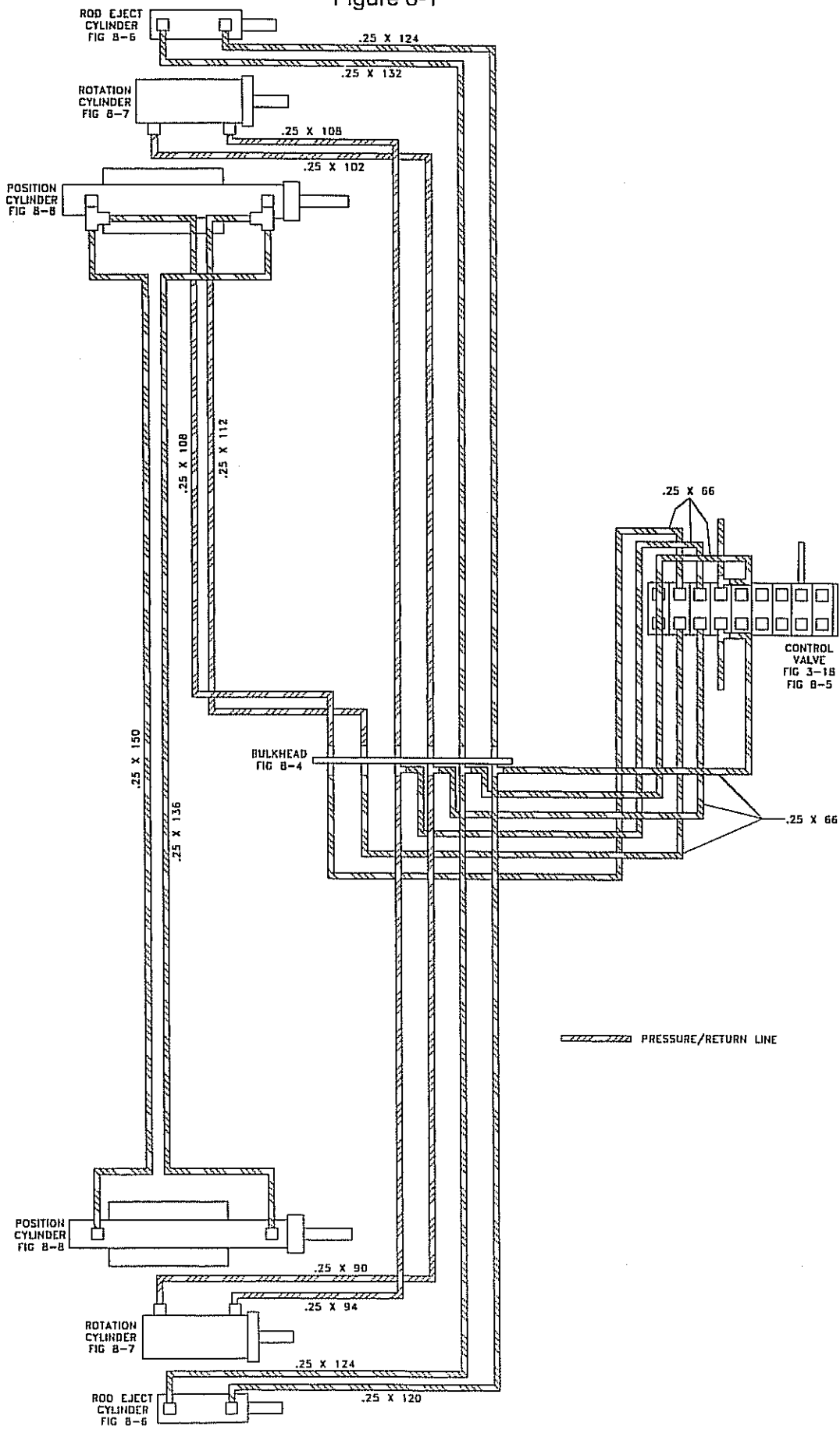
Figure 7-12



REF. NO.	PART NO.	DESCRIPTION	QTY.
7-12	1	202721-001 UNI-RING	1
7-12	2	223998-003 O-RING	1
7-12	3	202727-001 O-RING	1
7-12	4	202726-001 WASHER-BACK-UP	1
7-12	5	223998-005 O-RING	1
7-12	6	223998-007 BACK-UP RING	1
7-12	7	202724-001 WIPER-ROD	1
7-12	8	202722-001 LOCKNUT	1
7-12	9	202720-001 PISTON	1
7-12	10	223998-009 BARREL ASSEMBLY	1
7-12	11	223998-011 ROD ASSEMBLY	1
7-12	12	223998-013 SET SCREW	1
7-12	13	223998-015 THREAD CAP	1
7-12	14	223998-017 THREAD CAP HEAD	1
	223998-019	SEAL KIT (INC. REF. 1-7)	
	223998-001	CYLINDER- 1 1/2 X 6 (INC. REF. 1-14)	

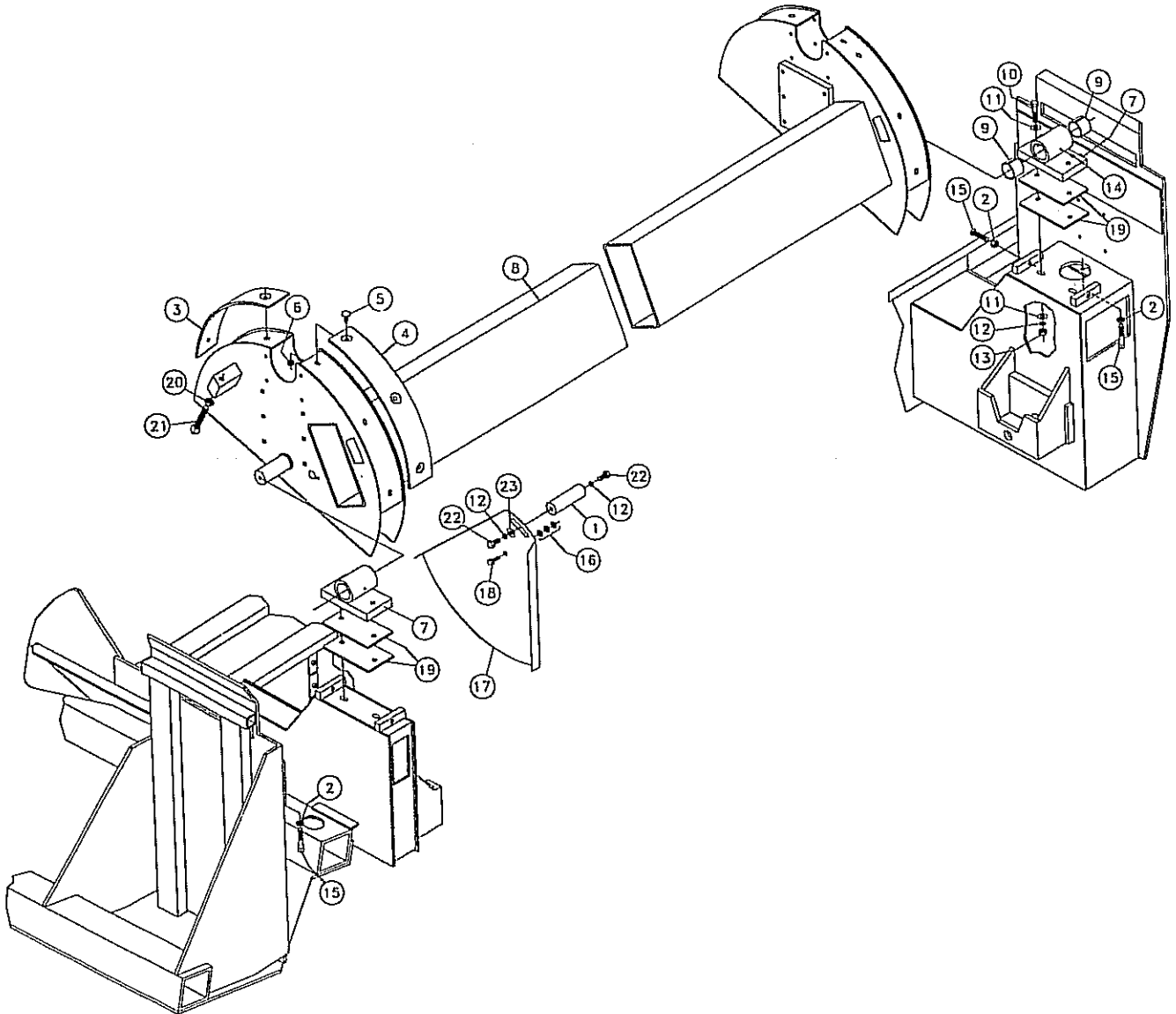
HYDRAULIC COMPONENTS LOCATION DIAGRAM - ROD LOADER

Figure 8-1



ROD LOADER FRAME ASSEMBLY

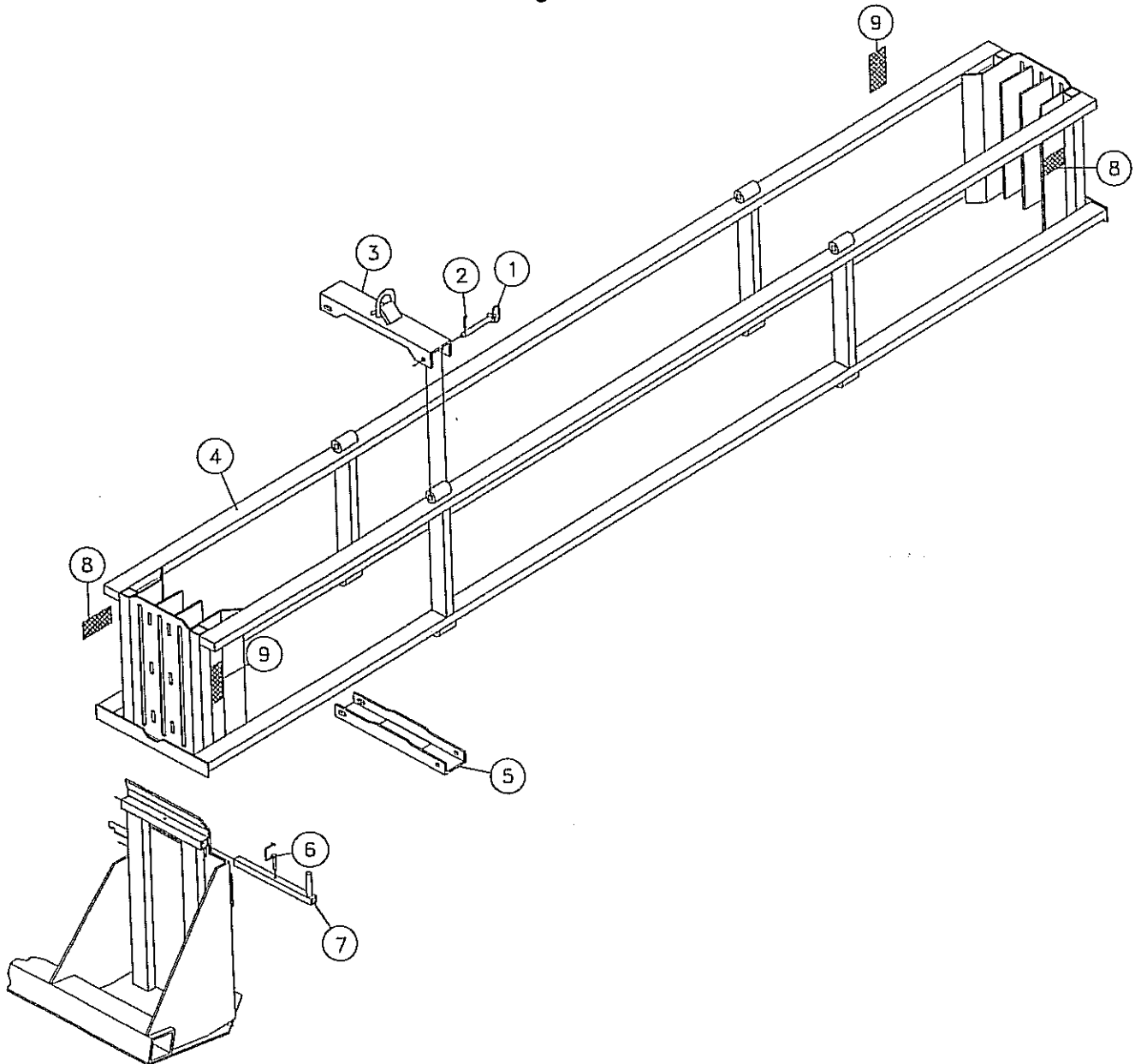
Figure 8-2



<u>REF. NO.</u>	<u>PART NO.</u>	<u>DESCRIPTION</u>	<u>QTY.</u>	<u>REF. NO.</u>	<u>PART NO.</u>	<u>DESCRIPTION</u>	<u>QTY.</u>		
8-2	1	234252-001	SPCER-LOADER INDICATOR	1	8-2	12	480-011	WASHER-1/2 S/T LOCK	6
8-2	2	422-001	NUT-1/2 NC HEX JAM	6	8-2	13	421-001	NUT-1/2 NC HEX	4
8-2	3	227901-001	WEAR BAR - ROD LOADER	2	8-2	14	598-001	ZERK-1/4" NF ST GREASE	2
8-2	4	227900-001	WEAR BAR-ROD LOADER	2	8-2	15	601698-024	SQ HSS 1/2-13X2 1/2 ZNC PLT	6
8-2	5	601699-012	3/8-16X1 1/4 ELEVATOR BOLT ZNC	10	8-2	16	480-007	WASHER-3/8 S/T LOCK	3
8-2	6	4536-001	NUT - 3/8-16 FLG. WHIZ LOCK	10	8-2	17	227995-001	INDICATOR-ROD LOADER	1
8-2	7	227845-001	LOADER PIVOT ASSY (INC. TWO OF REF. 9 & ONE OF REF. 14)	2	8-2	18	4475-010	BOLT-3/8-16X1 FLANGE WHIZ	1
8-2	8	227899-001	LOADER-ROD	1	8-2	19	227839-001	SPACER-LOADER MOUNT	4
8-2	9	1835-033	BSHG.-STL.-2 X 1 3/4 X 1 1/2	4	8-2	20	429-001	NUT-5/8 NC HEX JAM	2
8-2	10	358-024	BOLT-1/2-13X2 1/2*GRADE#5HEX	4	8-2	21	601697-030	SQ HSS-5/8-11X3 ZINC PLT	2
8-2	11	86610-001	WASHER-1/2 FLT HARDENED	8	8-2	22	358-010	BOLT-1/2-13X1" GRADE#5 HEX	2
					8-2	23	485-011	WASHER-1/2 FLAT	1

ROD BOX ASSEMBLY

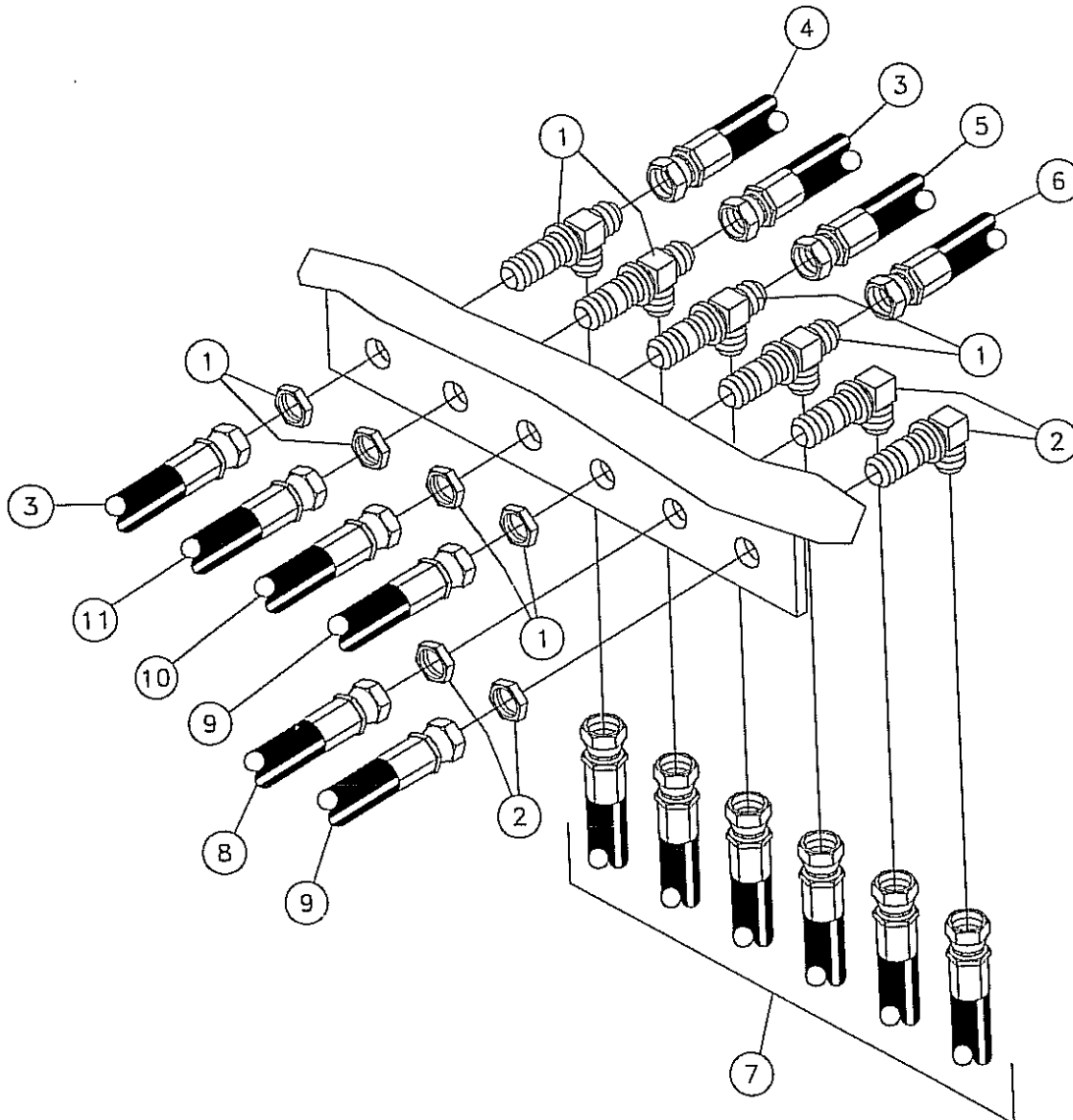
Figure 8-3



REF. NO.	PART NO.	DESCRIPTION	QTY.
8-3	1	2107-007 PIN-HITCH 3/4 X 6	8
8-3	2	1794-003 HAIR PIN COTTER - .148 WIRE	8
8-3	3	227885-001 2 7/8" ROD BOX TOP	2
8-3	4	234396-003 BOX ASSY-2.875 & 3.75 ROD (INC. TWO OF REF. 8 & 9)	1
		234396-005 BOX ASSY-2.875 & 3.75 ROD INTL (INC. TWO OF REF. 8 & 9)	1
8-3	5	224479-001 PLATE-ROD BOX BOTTOM	2
8-3	6	2108-001 LYNCH PIN - 1/4 X 2	2
8-3	7	227906-001 PIN ROD BOX	2
8-3	8	70000-563 DECAL-WARNING (UND)	2
		70001-563 DECAL-WARNING (UND) (INT.)	2
8-3	9	7000A-392 DECAL - DANGER	2
		7001A-392 DECAL - DANGER (INT.)	2

BULKHEAD ASSEMBLY

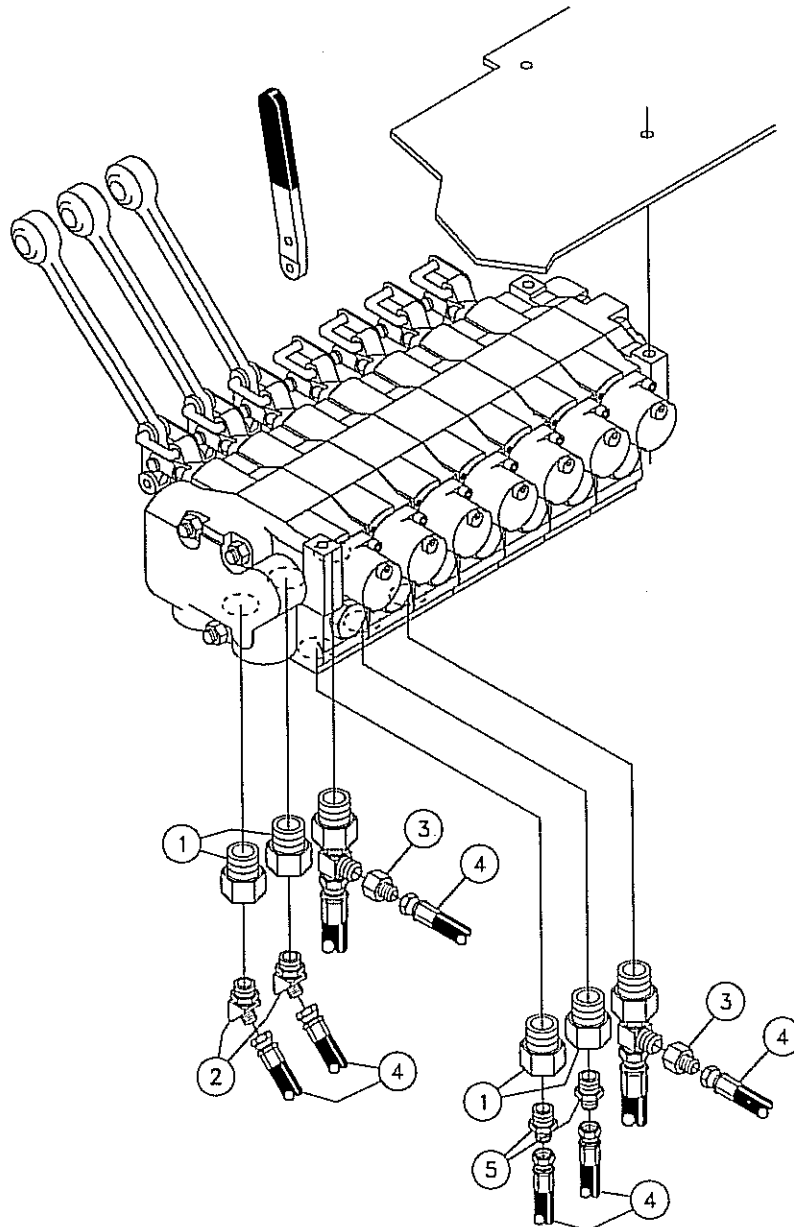
Figure 8-4



REF. NO.	PART NO.	DESCRIPTION	QTY.
8-4	1	88545-001 FITTING-4M JIC BLKHD RUN TEE	4
8-4	2	61497-001 FITTING-4M JIC BULKHEAD 90DEG.	2
8-4	3	53843-061 HOSE-1/4X124 4FS JIC (100R1)	2
8-4	4	53843-205 HOSE-1/4X120 4FS JIC 3000 PSI	1
8-4	5	53843-257 HOSE-1/4X90 4FS JIC 3000 PSI	1
8-4	6	53843-163 HOSE-1/4X94 4FS JIC (100R1)	1
8-4	7	53843-231 HOSE-1/4X66 4FS JIC 3000 PSI	6
8-4	8	53843-573 HOSE-1/4 X 112 4FS IC 3000 PSI	1
8-4	9	53843-233 HOSE-1/4X108 4FS JIC 3000 PSI	2
8-4	10	53843-039 HOSE-1/4X102 4FS JIC(100R1)	1
8-4	11	53843-201 HOSE-1/4X132 4FS JIC 3000 PSI	1

CONTROL VALVE ASSEMBLY - ROD LOADER PLUMBING

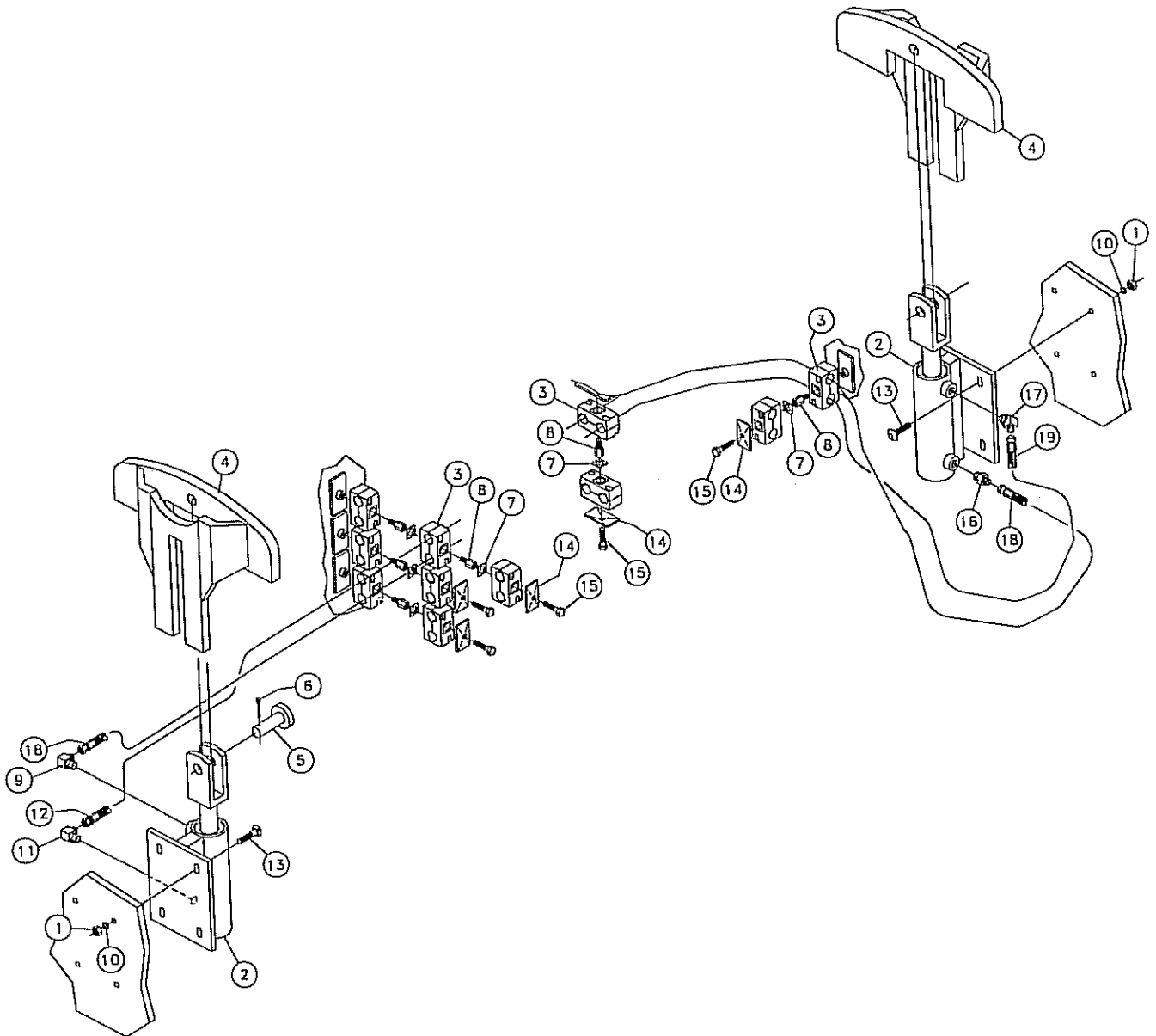
Figure 8-5



REF. NO.	PART NO.	DESCRIPTION	QTY.
8-5	1	57967-001 10M-6F O-RING BUSHING	4
8-5	2	82931-001 FITTING-6MX4M JIC 45DEG.ELBOW	2
8-5	3	59928-001 6F JICX4M JIC ST REDUCER	2
8-5	4	53843-231 HOSE-1/4X66 4FS JIC 3000 PSI	6
8-5	5	57968-001 6M O-RING 4M JIC STRAIGHT	2

ROD EJECT CYLINDER ASSEMBLY

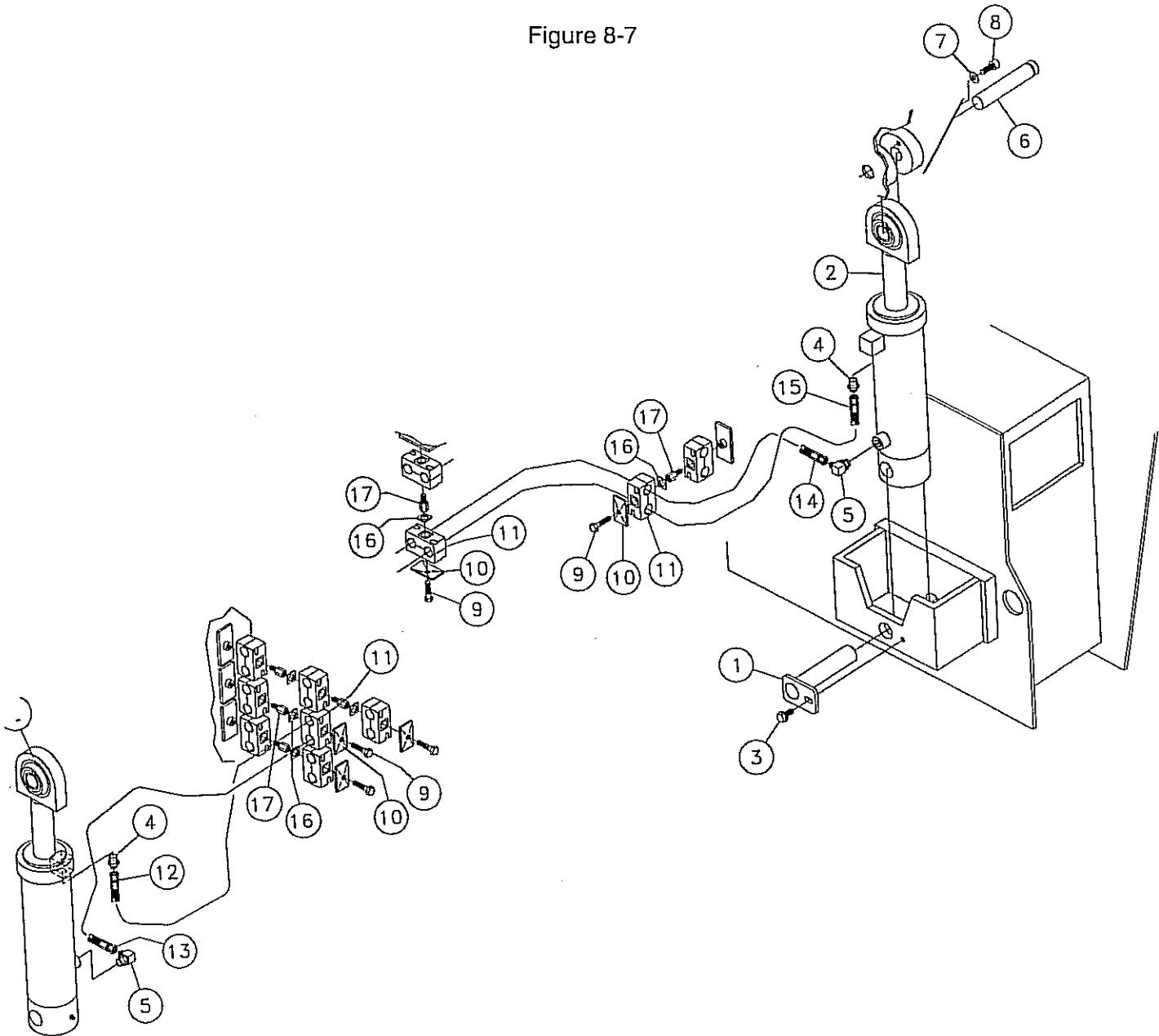
Figure 8-6



REF. NO.	PART NO.	DESCRIPTION	QTY.	REF. NO.	PART NO.	DESCRIPTION	QTY.
8-6	1	416-001 NUT-3/8 NC SLTL	8	8-6	11	131008-001 FITTING-4MJICX6MORING 90D.062R	1
8-6	2	224394-001 CYLINDER-2X5 (BREAKDOWN FIG. 8-9)	2	8-6	12	53843-201 HOSE-1/4X132 4FS JIC 3000 PSI	1
8-6	3	67846-005 CLAMP-TWIN	4	8-6	13	375-014 BOLT-3/8-16X1 1/2"GD#5CARRIAGE	8
8-6	4	239442-001 LIFTER-ROD	2	8-6	14	67846-003 PLATE-TWIN COVER	4
8-6	5	222B15-001 PIN-STEER CYLINDER	2	8-6	15	351-012 BOLT-5/16"-18X1 1/4"GR5 HEX	4
8-6	6	510-047 PIN - 3/16 X 1 1/4 COTTER	2	8-6	16	57968-001 6M O-RING 4M JIC STRAIGHT	1
8-6	7	231758-001 WASHER-SAFETY(1/2" HEX ID)	4	8-6	17	82931-001 FITTING-6MX4M JIC 45DEG.ELBOW	1
8-6	8	231757-001 BOLT-CLAMP STACKING 5/16THREAD	4	8-6	18	53843-061 HOSE-1/4X124 4FS JIC (100R1)	2
8-6	9	600118-001 FITTING-6MORINGX4MJIC90PARKER	1	8-6	19	53843-205 HOSE-1/4X120 4FS JIC 3000 PSI	1
8-6	10	480-007 WASHER-3/8 S/T LOCK	8				

ROD ROTATION CYLINDER ASSEMBLY

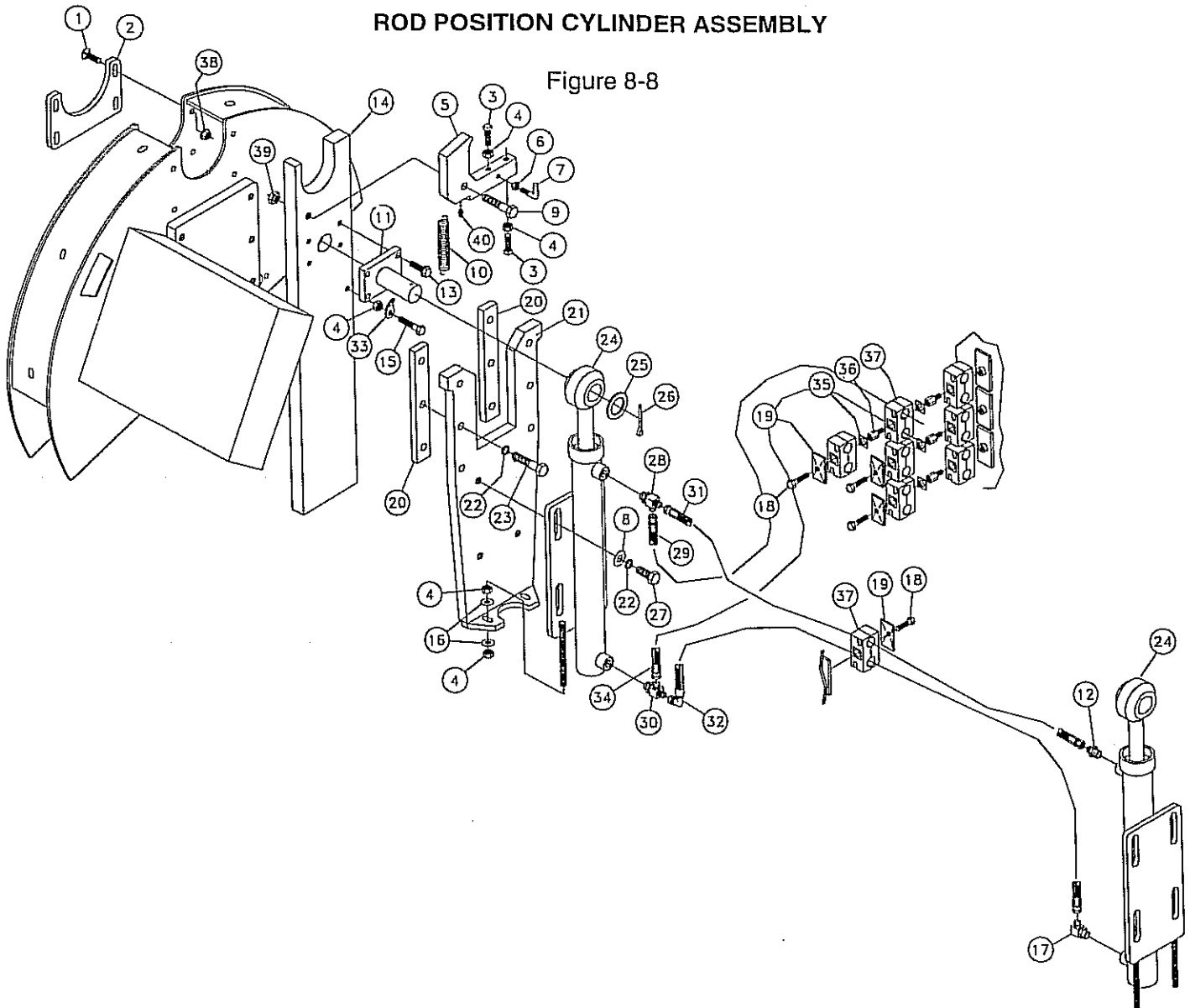
Figure 8-7



REF. NO.	PART NO.	DESCRIPTION	QTY.
8-7	1	227880-001 PIN-ROTATION CYLINDER	2
8-7	2	227814-001 CYLINDER-3 X 7 1/2 (BREAKDOWN FIG. 8-10)	2
8-7	3	4475-006 BOLT-3/8-16X3/4 FLG WHIZ	2
8-7	4	57968-001 6M O-RING 4M JIC STRAIGHT	2
8-7	5	600118-001 FITTING-6MORINGX4MJIC90PARKER	2
8-7	6	227902-001 PIN-ROTATE CYLINDER	2
8-7	7	485-007 WASHER-3/8 FLAT	2
8-7	8	601696-010 SOCKET HD CAP SCREW 3/8-16X1 Z	2
8-7	9	351-012 BOLT-5/16"-18X1 1/4"GR5 HEX	3
8-7	10	67846-003 PLATE-TWIN COVER	3
8-7	11	67846-005 CLAMP-TWIN	3
8-7	12	53843-233 HOSE-1/4X108 4FS JIC 3000 PSI	1
8-7	13	53843-039 HOSE-1/4X102 4FS JIC(100R1)	1
8-7	14	53843-257 HOSE-1/4X90 4FS JIC 3000 PSI	1
8-7	15	53843-163 HOSE-1/4X94 4FS JIC (100R1)	1
8-7	16	231758-001 WASHER-SAFETY(1/2" HEX ID)	3
8-7	17	231757-001 BOLT-CLAMP STACKING 5/16"THREAD	3

ROD POSITION CYLINDER ASSEMBLY

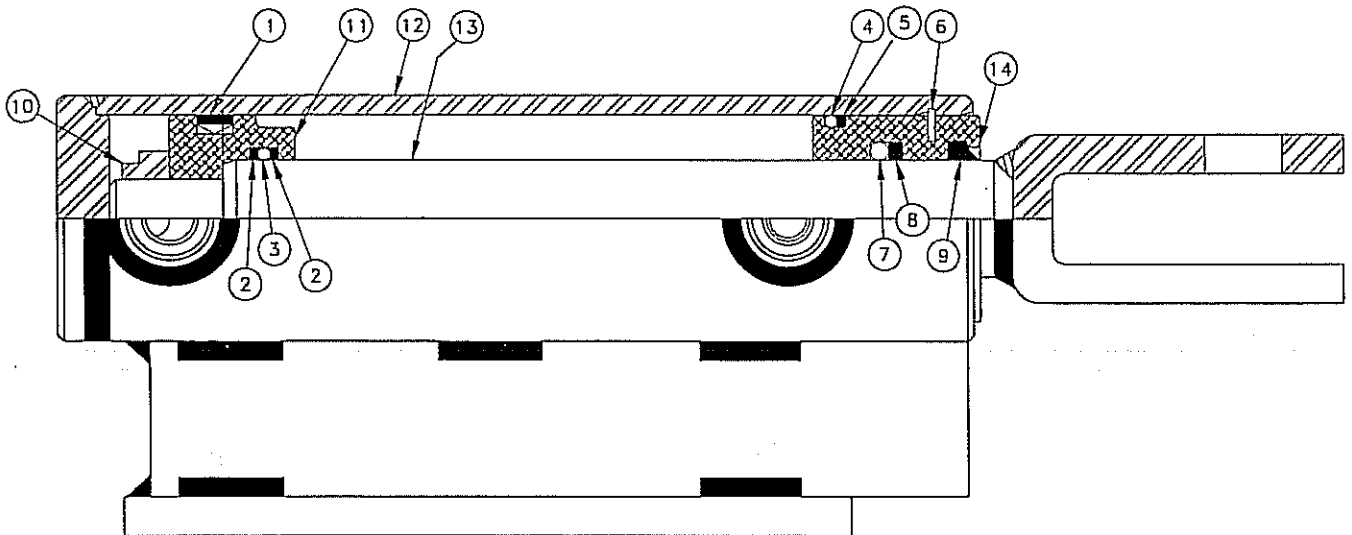
Figure 8-8



REF. NO.	PART NO.	DESCRIPTION	QTY.	REF. NO.	PART NO.	DESCRIPTION	QTY.
8-8	1	375-012 3/8-16X1 1/4"GD#5CARRIAGE BOLT	8	8-8	20	224361-001 SPACER-ROD ARM	4
8-8	2	224335-001 PLATE-LOADER INSERT (2 7/8" DRILL)	2	8-8	21	227863-001 MOUNT-POSITION CYLINDER	2
8-8	3	549-020 SQ HSS-3/8-16X2	4	8-8	22	480-011 WASHER-1/2 S/T LOCK	20
8-8	4	413-001 NUT-3/8 NC HEX JAM	14	8-8	23	358-022 BOLT-1/2-13X2 1/4"GRADE#5 HEX	12
8-8	5	224333-003 PLATE ASSY-2 7/8 ROD FLIPPER (2 7/8" DRILL ROD (INC. ONE OF REF. 40)	2	8-8	24	227815-001 CYLINDER 1 1/2 X 14 1/2 (BREAKDOWN FIG. 8-11)	2
		216696-003 PLATE ASSY-3 1/2 ROD FLIPPER (3 1/2" DRILL ROD (INC. ONE OF REF. 40)	2	8-8	25	483-007 WASHER-1 7/8X1 1/4X14 GA M.B.	2
8-8	6	407-001 NUT-5/16 NC HEX JAM	2	8-8	26	510-025 COTTER PIN-3/16" X 2"	2
8-8	7	227847-001 HOOK-FLIPPER SPRING	2	8-8	27	358-012 BOLT-1/2-13 X 1 1/4 GR #5 HEX	8
8-8	8	485-011 WASHER-1/2 FLAT	2	8-8	28	82930-001 FIT-6MX4M JICX4M JIC (BCH) TEE	1
8-8	9	358-022 BOLT-1/2-13X2 1/4"GRADE#5 HEX	2	8-8	29	53843-573 HOSE-1/4 X 112 4FS IC 3000 PSI	1
8-8	10	1789-013 SPRING -EXT. #76 4" OA	2	8-8	30	131007-001 FIT-4MJICX6MORX4MJIC TEE R.062	1
8-8	11	227752-001 MOUNT-LOADER CYLINDER	2	8-8	31	53843-717 HOSE-1/4X136 4FS JIC ST 5000#	1
8-8	12	57968-001 6M O-RING 4M JIC STRAIGHT	1	8-8	32	53843-729 HOSE-1/4X150 4FSJICST/90D 3000	1
8-8	13	4475-012 BOLT-3/8-16X1 1/4 FLG WHIZ PLT	8	8-8	33	239421-001 PLATE-SPRING HOOK	2
8-8	14	224326-001 ARM-2 7/8" ROD	2	8-8	34	53843-233 HOSE-1/4X108 4FS JIC 3000 PSI	1
		216635-001 ARM-3 1/2" ROD	2	8-8	35	231758-001 WASHER-SAFETY(1/2" HEX ID)	2
8-8	15	16114-016 BOLT-3/8-16X1 3/4 GR.8 HEX HD.	2	8-8	36	231757-001 BOLT-CLAMP STACKING 5/16THREAD	2
8-8	16	485-007 WASHER-3/8 FLAT	8	8-8	37	67846-005 CLAMP-TWIN	6
8-8	17	600118-001 FITTING-6MORINGX4MJIC90PARKER	1	8-8	38	4536-001 NUT - 3/8-16 FLG. WHIZ LOCK	8
8-8	18	351-012 BOLT-5/16"-18X1 1/4"GR5 HEX	6	8-8	39	422-001 NUT-1/2 NC HEX JAM	2
8-8	19	67846-003 PLATE-TWIN COVER	6	8-8	40	598-001 ZERK-1/4" NF ST GREASE	2

HYDRAULIC CYLINDER COMPONENTS - 2" X 5"

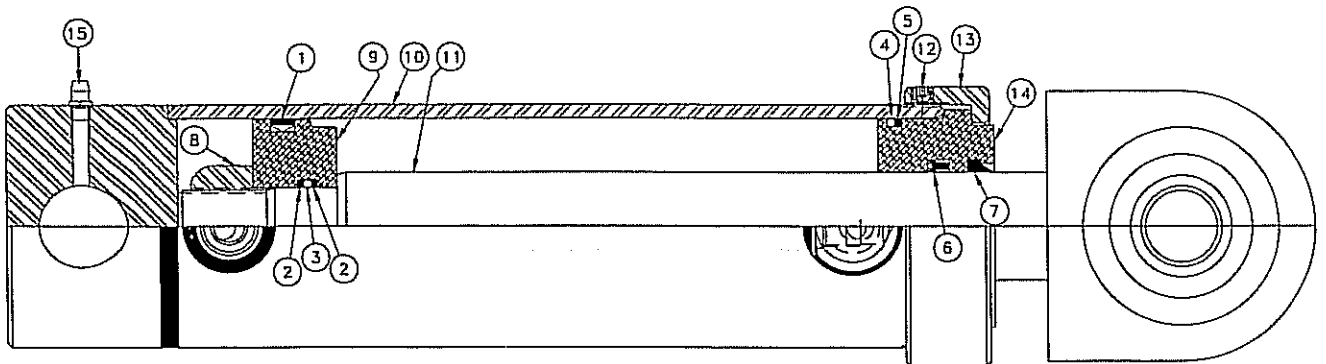
Figure 8-9



<u>REF. NO.</u>	<u>PART NO.</u>	<u>DESCRIPTION</u>	<u>QTY.</u>
8-9	1	200833-001 UNIRING 12G-200120-312	1
8-9	2	222440-007 BACK-UP RING	2
8-9	3	221256-013 O-RING	1
8-9	4	51172-001 O-RING	1
8-9	5	200834-001 BACKUP WASHER	1
8-9	6	224394-007 SNAP RING	1
8-9	7	200771-001 O-RING	1
8-9	8	224394-009 BACK-UP RING	1
8-9	9	221256-015 ROD WIPER	1
8-9	10	224394-011 THIN LOCKNUT	1
8-9	11	218008-009 PISTON	1
8-9	12	224394-003 BARREL ASSY	1
8-9	13	224394-005 ROD ASSY	1
8-9	14	200831-001 GLAND	1
	224394-001	CYLINDER-2X5 (INC. REF. 1-14)	
	224394-013	SEAL KIT-2 X 5 CYLINDER (INC. REF. 1-9)	

HYDRAULIC CYLINDER COMPONENTS - 3" X 7 1/2"

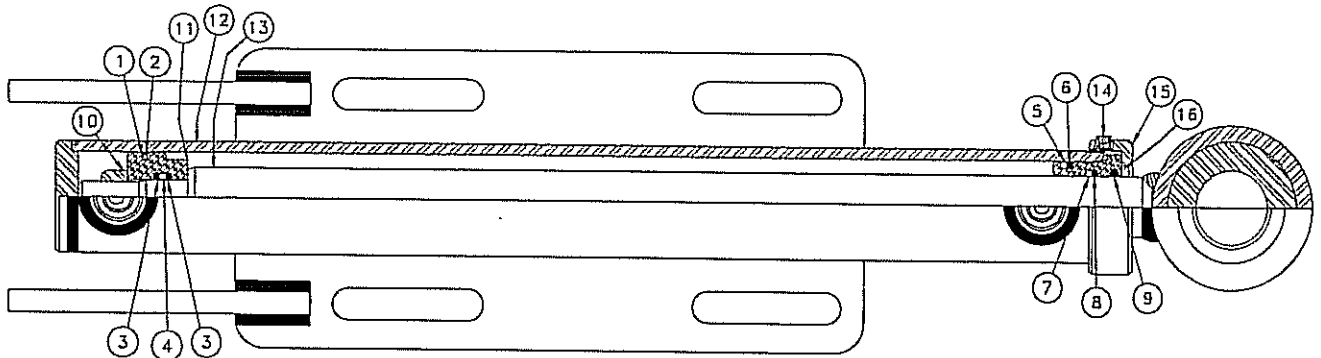
Figure 8-10



REF. NO.	PART NO.	DESCRIPTION	QTY.
8-10	1	200780-001 UNI-RING 12G-300220-312	1
8-10	2	208331-001 RING-BACK UP	2
8-10	3	208332-001 O-RING	1
8-10	4	200809-001 O-RING	1
8-10	5	200778-001 WASHER-BACKUP	1
8-10	6	204315-001 1 1/2" LOADED U-CUP	1
8-10	7	200808-001 WIPER	1
8-10	8	218496-007 LOCK NUT	1
8-10	9	227814-007 PISTON	1
8-10	10	227814-003 BARREL ASSY	1
8-10	11	227814-005 ROD ASSY	1
8-10	12	219125-011 NT SH SET SCREW	1
8-10	13	218496-013 THREADED CAP	1
8-10	14	89315-007 GLAND-CYLINDER	1
8-10	15	598-001 ZERK-1/4" NF ST GREASE	1
	227814-001	CYLINDER-3 X 7 1/2 (INC. REF. 1-15)	
	227814-009	SEAL KIT-3X7 1/2 CYLINDER (INC. REF. 1-7)	

HYDRAULIC CYLINDER COMPONENTS - 1 1/2" X 14 1/2"

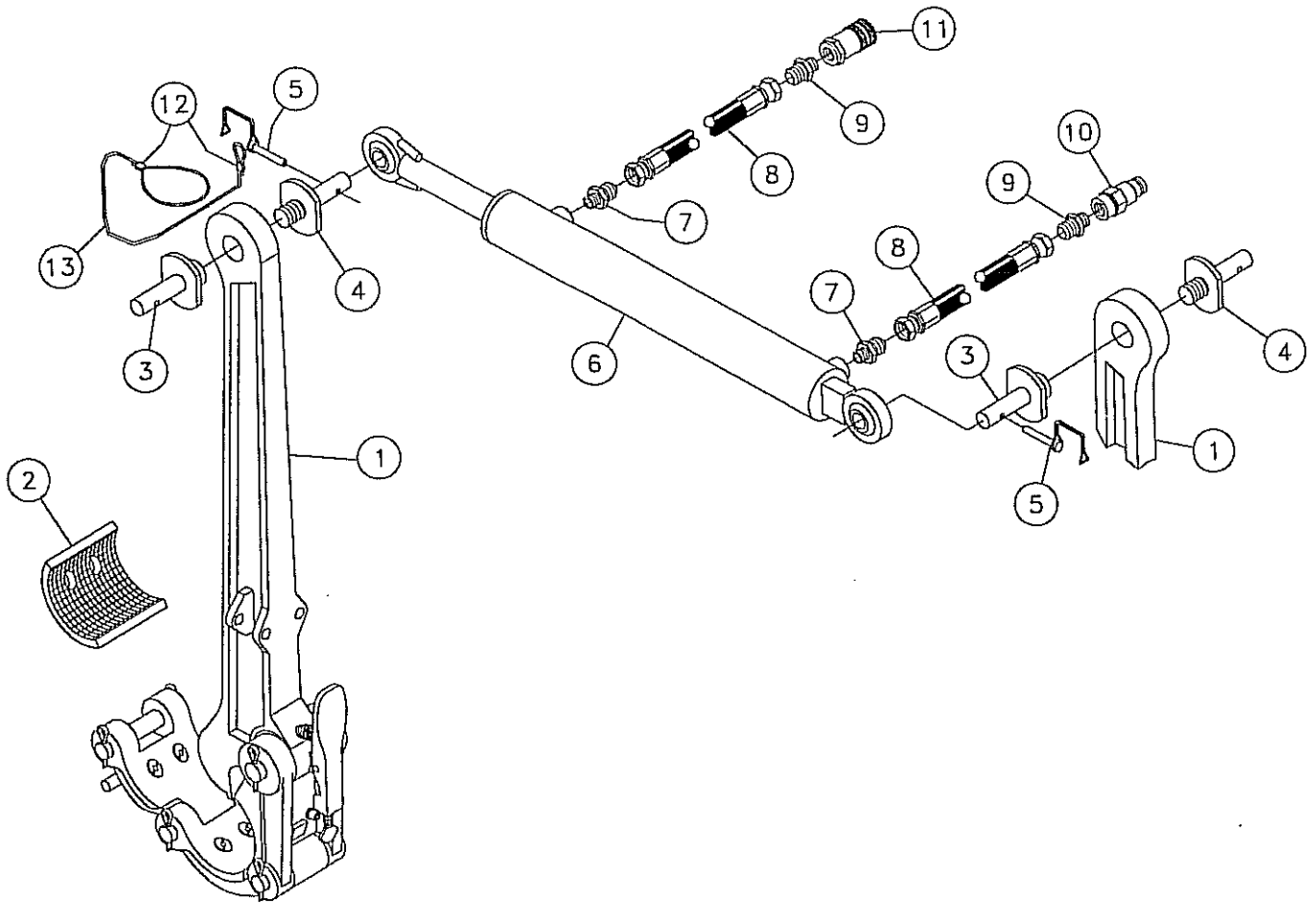
Figure 8-11



REF. NO.	PART NO.	DESCRIPTION	QTY.
8-11	1	227815-007 TEFLON PISTON RING	1
8-11	2	227815-009 O-RING	1
8-11	3	227815-011 BACK-UP RING	2
8-11	4	227815-013 O-RING	1
8-11	5	202727-001 O-RING	1
8-11	6	119510-005 BACK-UP RING	1
8-11	7	208178-001 O-RING	1
8-11	8	208177-001 WASHER-BACKUP	1
8-11	9	227815-021 ROD WIPER	1
8-11	10	202722-001 LOCKNUT	1
8-11	11	227815-015 PISTON	1
8-11	12	227815-003 BARREL ASSY	1
8-11	13	227815-005 ROD ASSY	1
8-11	14	219125-011 NT SH SET SCREW	1
8-11	15	215170-019 CAP-THREADED	1
8-11	16	215170-017 ROD ASSEMBLY	1
	227815-001	CYLINDER 1 1/2 X 14 1/2 (INC. REF. 1-16)	
	227815-019	SEAL KIT-1 1/2X14 1/2 CYLINDER (INC. REF. 1-9)	

TUBING TONG ASSEMBLY

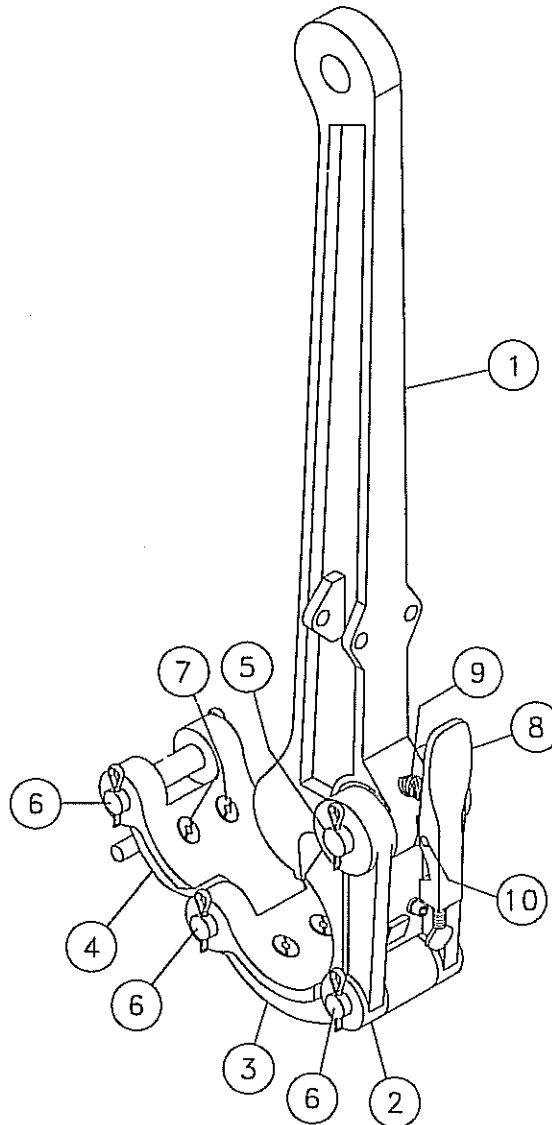
Figure 9-1



REF. NO.	PART NO.	DESCRIPTION	QTY.		
			2 3/8"	2 7/8"	3 1/2"
9-1	1	230970-001 TONG-K30 LIGHT WEIGHT TUBING (BREAKDOWN FIG. 10-9)	2	2	2
9-1	2	235870-001 K-30 2 5/8 DIES (3/SET)	1		
		230972-001 DIES-3 1/4" TUBING TONG(3/SET)		1	
		230974-001 DIES-3 5/8" TUBING TONG(3/SET)			1
9-1	3	234967-001 PIN-FEMALE CYLINDER	2	2	2
9-1	4	234966-001 PIN-MALE CYLINDER	2	2	2
9-1	5	2108-001 LYNCH PIN - 1/4 X 2	2	2	2
9-1	6	230977-001 CYLINDER-2"X15" (BREAKDOWN FIG. 9-3)	1	1	1
9-1	7	86235-001 6M ORING X 8M JIC STR.	2	2	2
9-1	8	53844-167 HOSE-1/2X240 8FS JIC 3000 PSI	2	2	2
9-1	9	68634-001 FITTING-3/8MX8M JIC (STR)	2	2	2
9-1	10	221503-001 COUPLER-3/8 NPT QUICK (MALE)	1	1	1
9-1	11	221504-001 COUPLER-3/8 NPT QUICK (FEMALE)	1	1	1
9-1	12	1838-001 CONNECTOR-WIRE (ETC)	4	4	4
9-1	13	240546-001 CABLE-3/32 NYLON-18.00	2	2	2

TUBING TONG COMPONENTS

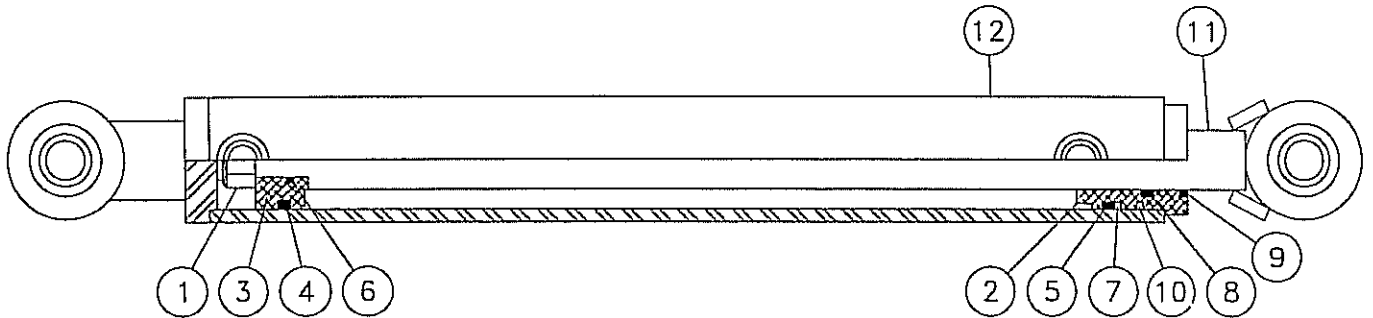
Figure 9-2



<u>REF. NO.</u>	<u>PART NO.</u>	<u>DESCRIPTION</u>	<u>QTY.</u>
9-2	1	230970-003 TONG HANDLE	1
9-2	2	230970-005 HANDLE JAW	1
9-2	3	230970-007 CENTER JAW	1
9-2	4	230970-009 LATCH JAW	1
9-2	5	230970-011 HANDLE PIN	1
9-2	6	230970-013 JAW PIN	3
9-2	7	230970-015 BUSHING AND SCREW	6
9-2	8	230970-017 ADJUSTABLE TONG LATCH	1
9-2	9	230970-019 LATCH SPRING	1
9-2	10	230970-021 LATCH RIVET	1
	230970-001	TONG-K30 LIGHT WEIGHT TUBING (COMPLETE) (INC. REF. 1-10)	

HYDRAULIC CYLINDER COMPONENTS - 2" X 15"

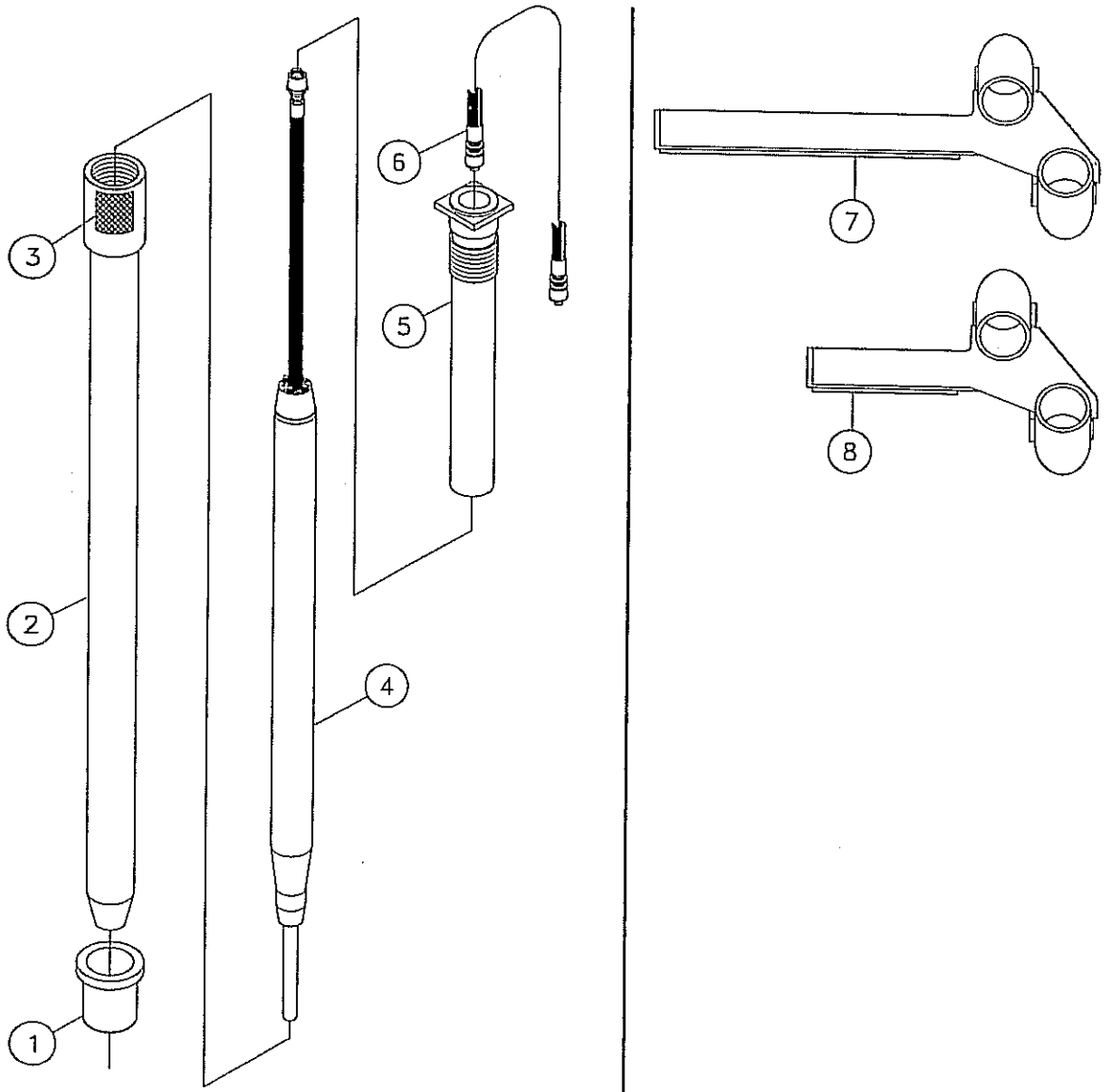
Figure 9-3



<u>REF. NO.</u>	<u>PART NO.</u>	<u>DESCRIPTION</u>	<u>QTY.</u>
9-3	1	230977-003 NUT	1
9-3	2	230977-005 HEAD	1
9-3	3	230977-007 PISTON	1
9-3	4	230977-009 PSP-SEAL	1
9-3	5	51181-001 O-RING #326	1
9-3	6	792-029 O-RING	1
9-3	7	230977-011 BACK-UP	1
9-3	8	230977-013 ROD SEAL	1
9-3	9	230977-015 DUST SEAL	1
9-3	10	230977-017 RETAINING RING1	1
9-3	11	230977-019 SHAFT (W/CLEVIS)	1
9-3	12	230977-021 BARREL (W/CLEVIS AND PORTS)	1
		230977-023 REPAIR KIT (INC. REF. 4-10)	
		230977-001 CYLINDER-2"X15" (INC. REF. 1-12)	

STAKE/DRIVER ASSEMBLY

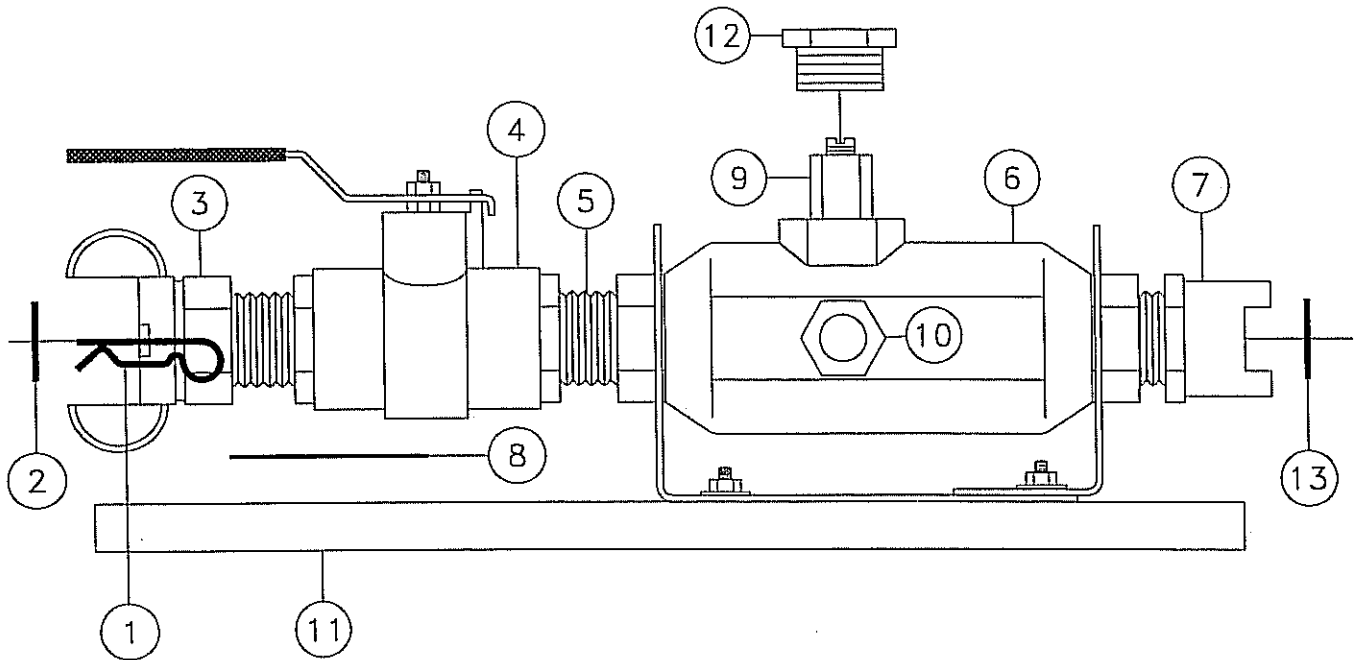
Figure 10-1



REF. NO.	PART NO.	DESCRIPTION	QTY.
10-1	1	231898-001 STAKE SLEEVE	4
10-1	2	231897-001 STAKE	4
10-1	3	7000A-549 DECAL-WARNING	4
10-1	4	231900-001 STAKE DRIVING MOLE (BREAKDOWN FIG. 10-3)	1
10-1	5	231899-001 EXTRACTION SLEEVE	1
10-1	6	208267-001 50'HOSE W/COUPLINGS	A/R
10-1	7	231202-001 MOUNT-LONG PNEAMATIC STAKE	1
10-1	8	231200-001 MOUNT-PNEUMATIC STAKE	1

MIST OILER ASSEMBLY

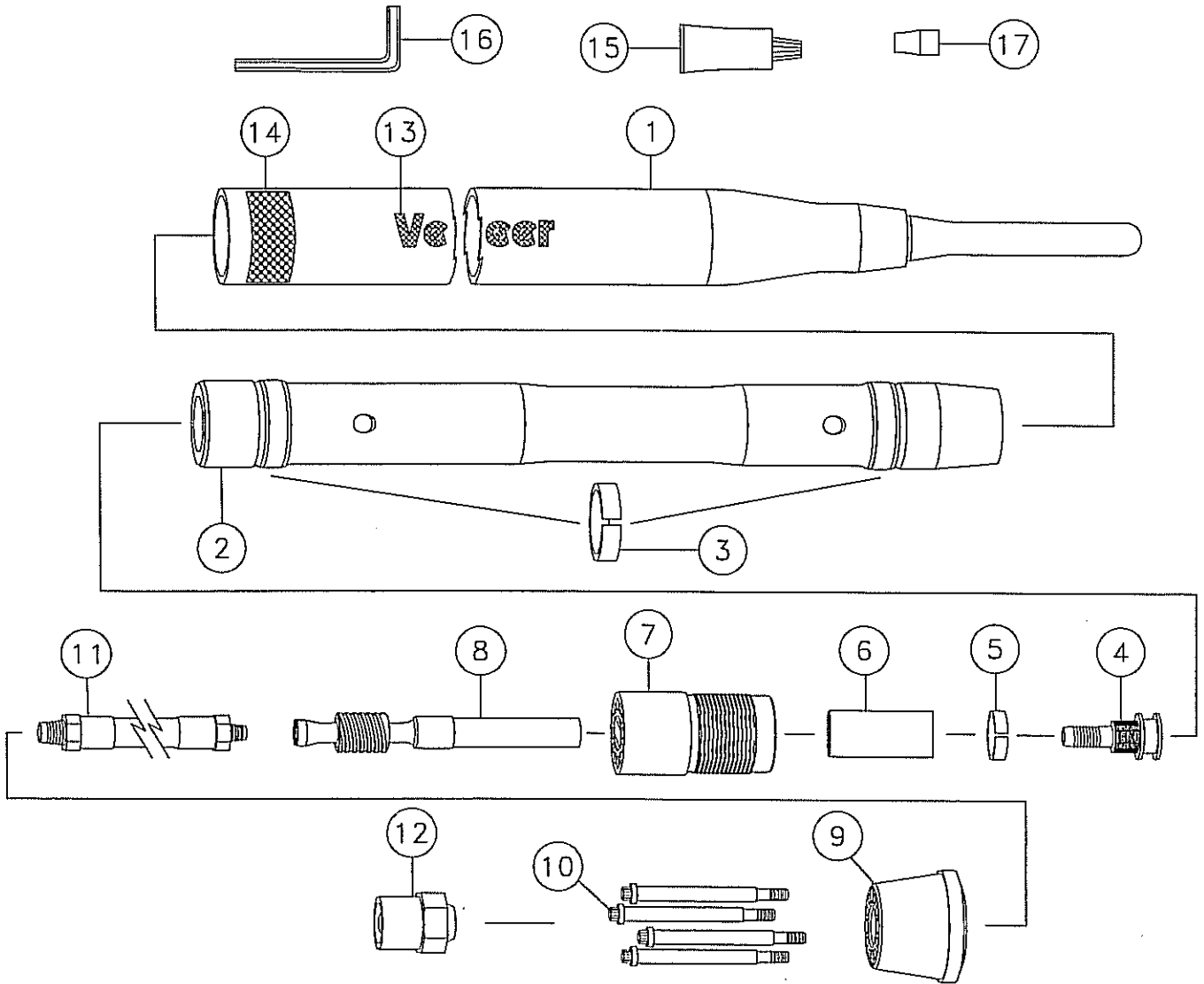
Figure 10-2



REF. NO.	PART NO.	DESCRIPTION	QTY.
10-2	1	205154-007 SAFETY CLIP	1
10-2	2	205154-005 FITTING GASKET	1
10-2	3	205154-003 CLAW FITTING-MALE	1
10-2	4	3379-001 VALVE - 3/4" BALL - #101R NPT	1
10-2	5	736-007 3/4" CLOSE NIPPLE BLACK STEEL	1
10-2	6	208566-001 MIST OILER W/PRESSURE RELIEF (INC. REF. 1-13)	1
	211713-001	OILER ASSY-EUROPEAN STANDARD	1
10-2	7	205154-011 PNEUMATIC FITTING	1
10-2	8	70000-685 DECAL-WARNING	1
10-2	9	208567-001 OILER VALVE W/O-RING	1
10-2	10	208569-001 SIGHT WINDOW W/O-RING	2
10-2	11	208570-001 WOODEN BASE W/BRACKETS	1
10-2	12	208599-001 MANUAL RELIEVING SAFETY CAP AY	1
10-2	13	208566-003 RUBBER GASKET	1

STAKE DRIVING MOLE COMPONENTS

Figure 10-3



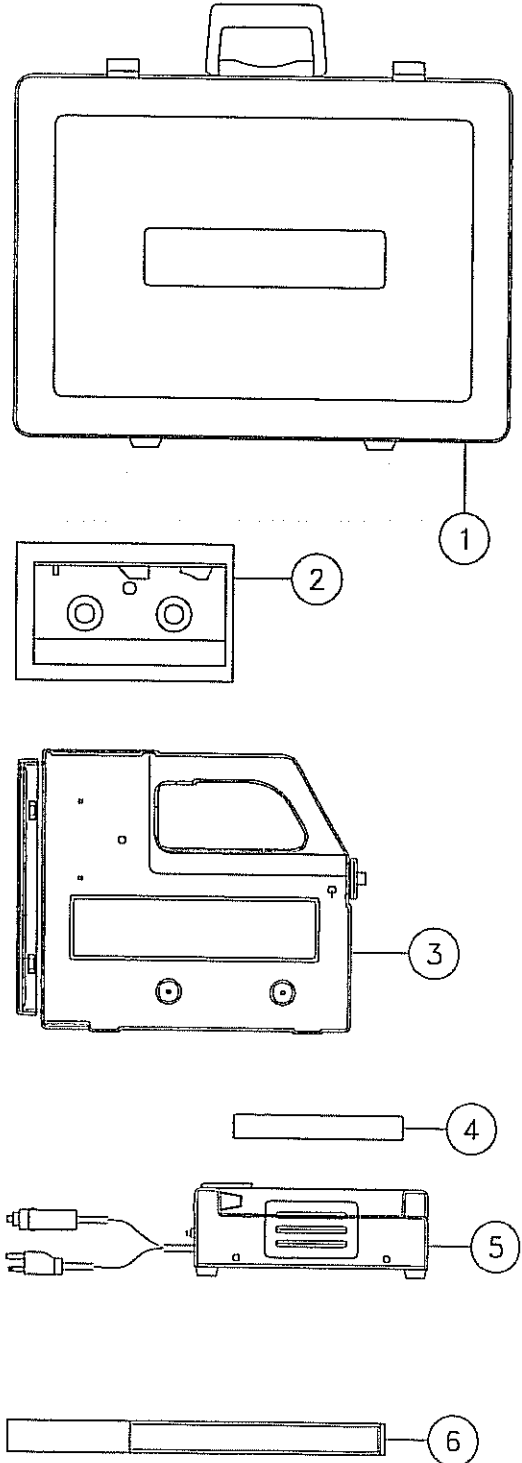
REF. NO.	PART NO.	DESCRIPTION	QTY.
10-3	1	231902-001 BODY W/LONG FRONT ANVIL	1
		215399-001 WEAR FACE ASSEMBLY	1
10-3	2	204933-005 STRIKER	1
10-3	3	204933-007 STRIKER RING	2
10-3	4	221594-001 VALVE RETAINER	1
10-3	5	204933-011 VALVE RING	1
10-3	6	221593-001 VALVE	1
10-3	7	204933-015 REAR ANVIL	1
10-3	8	207042-001 VALVE END SERVICEABLE WHIP	1
10-3	9	231901-001 TAILCONE-MODIFIED	1
10-3	10	204933-021 TAIL BOLT	4
10-3	11	231903-001 EXTRA LONG SERVICE WHIP HOSE	1
10-3	12	204933-023 PNEUMATIC FITTING	1
10-3	13	70000-340 DECAL-RED VERMEER	2
10-3	14	70000-944 DECAL-WARNING UND MOLES	1
10-3	15	209225-001 NEVERSEEZ 1 OZ.	1
10-3	16	207368-001 7/16"LONG ARM HEX KEY	1
10-3	17	207369-001 SOCKET-3/8 12 POINT	1

231900-001 STAKE DRIVING MOLE (INC. REF. 1-17)

LOCATION PACKAGE, MARK III - DIGITRAK - DOMESTIC AND INTERNATIONAL

Figure 11-1

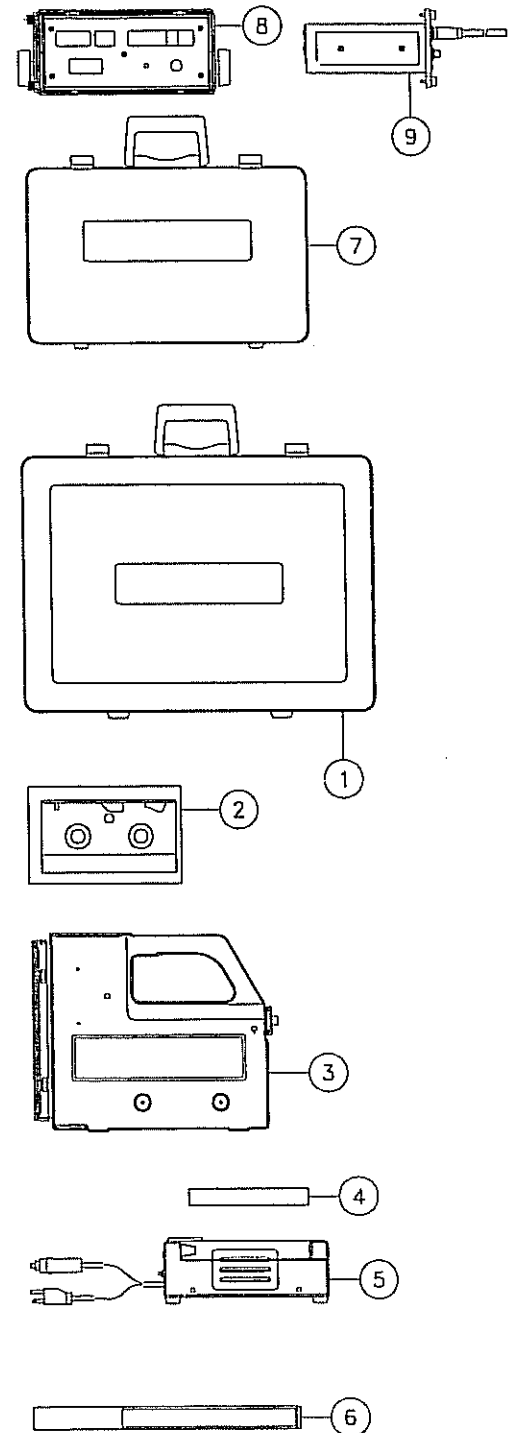
REF. NO.	PART NO.	DESCRIPTION	QTY.
11-1	1	213389-011 DIGITRAK CARRYING CASE	1
11-1	2	231990-001 DIGITRAK OP. MAN. TRAIN VIDEO	1
11-1	3	231991-001 DIGITRAK RECEIVER-ENGLISH/METR	1
11-1	4	213389-009 DIGITRAK BATTERY PACK	2
11-1	5	213389-007 DIGITRAK SMART CHARGER 115/230V	1
11-1	6	221806-001 SONDE-15' BLUE	1
		213389-005 SONDE - 30' YELLOW	1
		226196-001 SONDE -50' RED (4 BATT)	1
		221643-001 SONDE-50' RED	1
		213086-001 O-RING	3
	231212-001	DIGITRAK STD.LOCATOR (US/CAN) (INC. REF. 1-5)	



LOCATION PACKAGE, MARK III - DIGITRAK (W/REMOTE DISPLAY) DOMESTIC

Figure 11-2

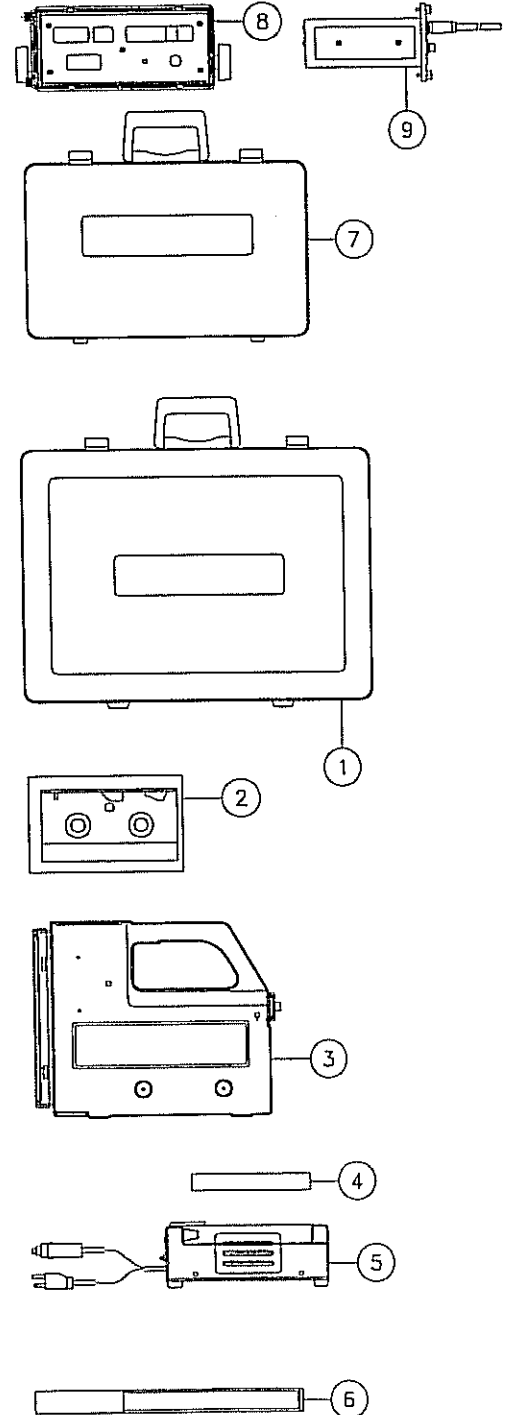
REF. NO.	PART NO.	DESCRIPTION	QTY. STD.	CABLE SONDE
11-2	1	213389-011 DIGITRAK CARRYING CASE	1	1
11-2	2	231990-001 DIGITRAK OP. MAN. TRAIN VIDEO	1	1
11-2	3	231992-001 RECEIVER W/REMOTE ENGLISH/METR	1	1
11-2	4	213389-009 DIGITRAK BATTERY PACK	2	-
11-2	5	213389-007 DIGITRAK SMART CHARGER115/230V	1	-
11-2	6	221806-001 SONDE-15' BLUE	1	-
		213389-005 SONDE - 30' YELLOW	1	-
		221643-001 SONDE-50' RED	1	-
		226196-001 SONDE -50' RED (4 BATT)	1	-
		226197-001 SONDE -50' .1P MAGENTA	1	-
		226198-001 SONDE-50' .1P MAGENTA (4 BATT)	1	-
		226199-001 SONDE-100' CABLE GREEN	1	1
		226200-001 SONDE-100' CABLE .1P GREEN	1	1
		213086-001 O-RING #122	3	3
11-2	7	221658-001 REMOTE CARRYING CASE	1	1
11-2	8	231993-001 DIGITRAK REMOTE DISPLAY	1	1
		231994-001 REMOTE DISPLY FOR CABLE SONDE	-	1
11-2	9	226195-001 CABLE SONDE POWER SUPPLY	-	1
		231218-001 DCI REMOTE LOCATOR SYS(US/CAN) (INC. REF. 1-5, 7 & 8)		
		231221-001 DCI REM CABLE SONDE SYS(US/CAN) (INC. REF. 1-3 & 7-9)		



LOCATION PACKAGE, MARK III - DIGITRAK (W/REMOTE DISPLAY) INTERNATIONAL

Figure 11-3

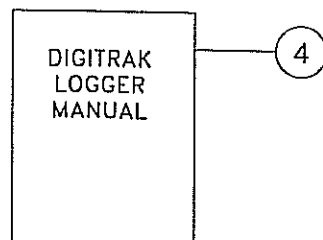
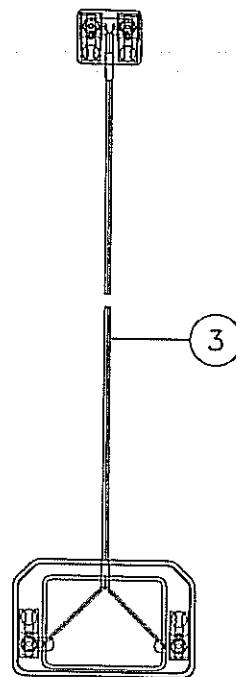
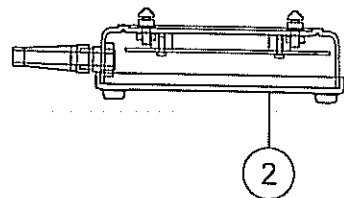
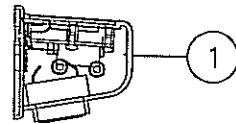
REF. NO.	PART NO.	DESCRIPTION	QTY. STD.	CABLE SONDE
11-3	1	213389-011	1	1
11-3	2	231990-001	1	1
11-3	3	231995-001	1	1
		231996-001	1	1
11-3	4	213389-009	2	-
11-3	5	213389-007	1	-
11-3	6	221806-001	1	-
		213389-005	1	-
		221643-001	1	-
		226196-001	1	-
		226197-001	1	-
		226198-001	1	-
		226199-001	-	1
		226200-001	-	1
		213086-001	3	3
11-3	7	221658-001	1	1
11-3	8	231997-001	1	-
		231998-001	1	1
		231999-001	1	-
		238750-001	1	1
11-3	9	226195-001	1	-
		231219-001		
		DCI REMOTE LOCATOR SYS (AU) (INC REF. 1-5, 7 & 8)		
		231222-001		
		DCI REM CABLE SONDE SYS (AU) (INC. REF. 1-3 & 7-9)		
		231220-001		
		DCI REMOTE LOCATOR SYS (UK) (INC. REF. 1-5, 7 & 8)		
		231223-001		
		DCI REM CABLE SONDE SYS (UK) (INC. REF. 1-3 & 7-9)		



DATA LOGGER, MARK III - DIGITRAK

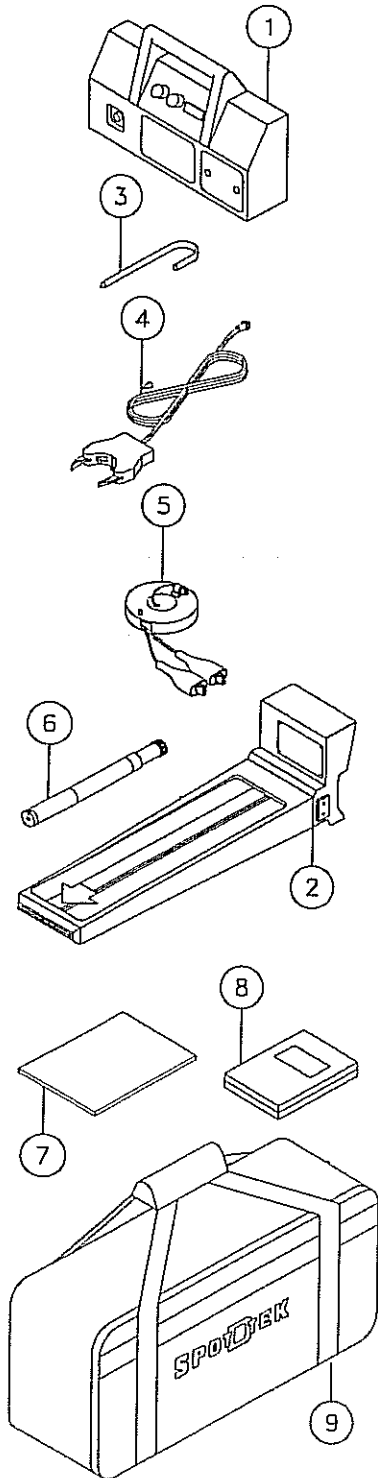
Figure 11-4

<u>REF. NO.</u>	<u>1</u>	<u>PART NO.</u>	<u>DESCRIPTION</u>	<u>QTY.</u>
11-4	1	231224-001	DATA LOGGER MODULE	1
11-4	2	231228-001	DATA-LOG/PC INTERFACE	1
11-4	3	238751-001	DATA LOG REAL TIME CABLE	1
11-4	4	238752-001	DIGITRAK LOGGER MANUAL	1



LOCATION PACKAGE, SPOT D TEK II.2 UTILITY

Figure 12-1



REF. NO.	PART NO.	DESCRIPTION	QTY.	
12-1	1	213900-003	TRANSMITTER FOR SPOT D TEK II	1
		213900-019	SUNSCREEN FOR TRANSMITTER	1
12-1	2	215941-001	RCEIVER II.2	1
12-1	3	213900-013	GROUND STAKE-SPOT D TEK II	1
12-1	4	213900-007	EXTERNAL COIL - SPOT D TEK II	1
12-1	5	213900-015	DIRECT CONNECTION CABLE	1
12-1	6	215942-001	DIR. PROBE II.2 W/ BATTERRIES	1
12-1	7	215938-003	OPERATIONAL MANUAL	1
12-1	8	213900-021	VIDEO TAPE	1
12-1	9	213900-009	CASE FOR SPOT D TEK II	1

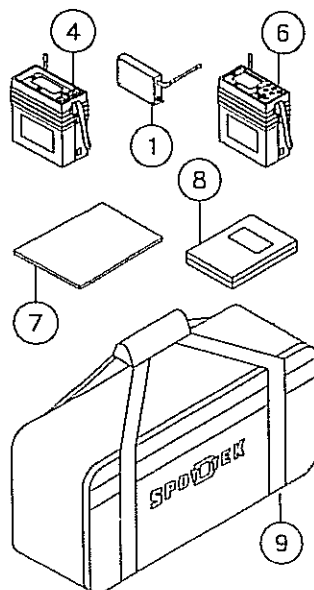
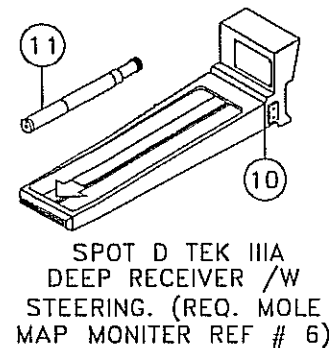
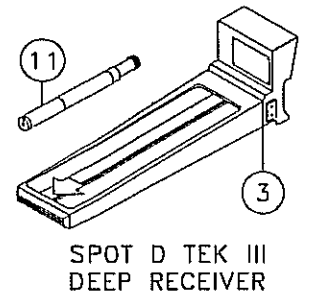
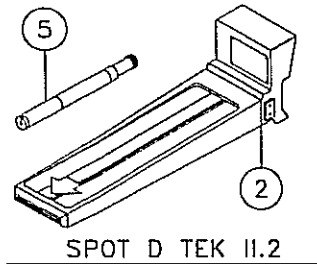
215938-001 SPOT D TEK II.2 UTILITY LOC. PCK
(INC. REF. 1-9)

ACCESSORIES

213900-023 SUNSCREEN-RECEIVER/II.2 MONITOR
213900-025 RAINCOVER-RECEIVER

LOCATION PACKAGE, SPOT D TEK II.2, III & IIIA

Figure 12-2



REF. NO.	PART NO.	DESCRIPTION	QTY.
12-2	1	213902-005 WIRELESS TRANSMITTER	1
12-2	2	215941-001 RECEIVER II.2	1
12-2	3	231197-003 RECEIVER-III	1
12-2	4	215943-001 WIRELESS MONITOR II.2	1
12-2	5	215942-001 DIR.PROBE II.2	1
12-2	6	231109-001 MONITOR - MOLE MAP	1
12-2	7	215938-003 OPERATIONAL MANUAL	1
12-2	8	215940-003 VIDEO TAPE-INSTRUCTIONAL (LOCATING W/ PROBES)	1
12-2	9	213900-009 CASE FOR SPOT D TEK II	1
12-2	10	231111-003 RECEIVER-III A	1
12-2	11	231110-001 SPOT-D-TEK DEEP SONDE	1

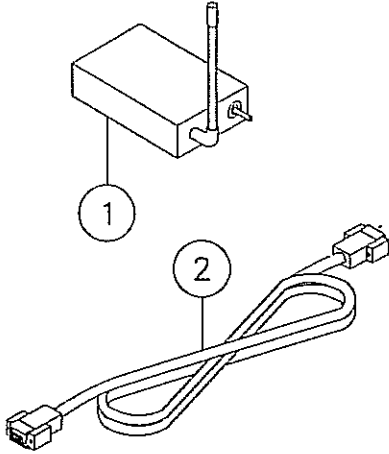
215940-001	SPOTDTEK II.2 REMOTE MON. PKG. (INC. REF. 1 & 4)
215938-001	SPOTDTEK II.2 DIRECT.BORE PKG. (INC. REF. 2, 5 & 7-9)
231197-001	SPOT-D-TEK III DEEP RECEIVER (INC. REF. 3 & 7-9)
231111-001	SPOT-D-TEK IIIA DEEP REC W/REM STEERING FUNCTION (INC. REF. 7-9 & 10)

ACCESSORIES

216871-001	ANTENNA-TRANSMITTER/MONITOR
213900-023	SUNSCREEN-RECEIVER II.2 MONIT
213900-025	RAINCOVER-RECEIVER
213902-011	RAINCOVER-II.2 MONITOR
238762-001	SUNSCREEN-MOLE MAP MONITOR
238763-001	RAIN COVER-MOLE MAP MONITOR

LOCATION PACKAGE, SPOT D TEK MOLE MAPPING SYSTEM

Figure 12-3

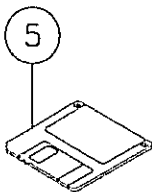
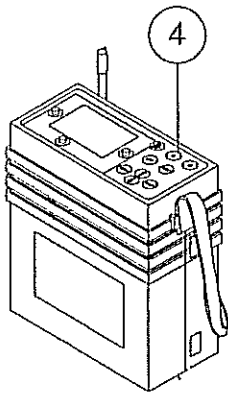
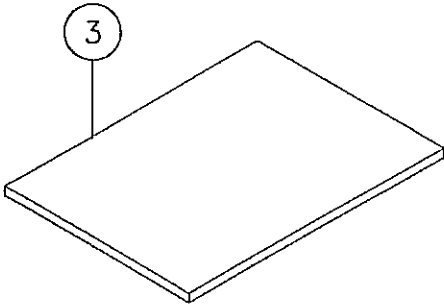


REF. NO.	PART NO.	DESCRIPTION	QTY.
12-3	1	213902-005 WIRELESS TRANSMITTER (INC. REF. 3)	1
12-3	2	231109-005 COMPUTER CORD	1
12-3	3	231109-007 OPERATIONAL MANUAL	1
12-3	4	231109-001 MONITOR-MOLE MAP	1
12-3	5	231109-003 MAPPING SOFTWARE REPLACE DISK	1

231113-001 MAPPING SYSTEM COMPLETE
(INC. REF. 1-5)

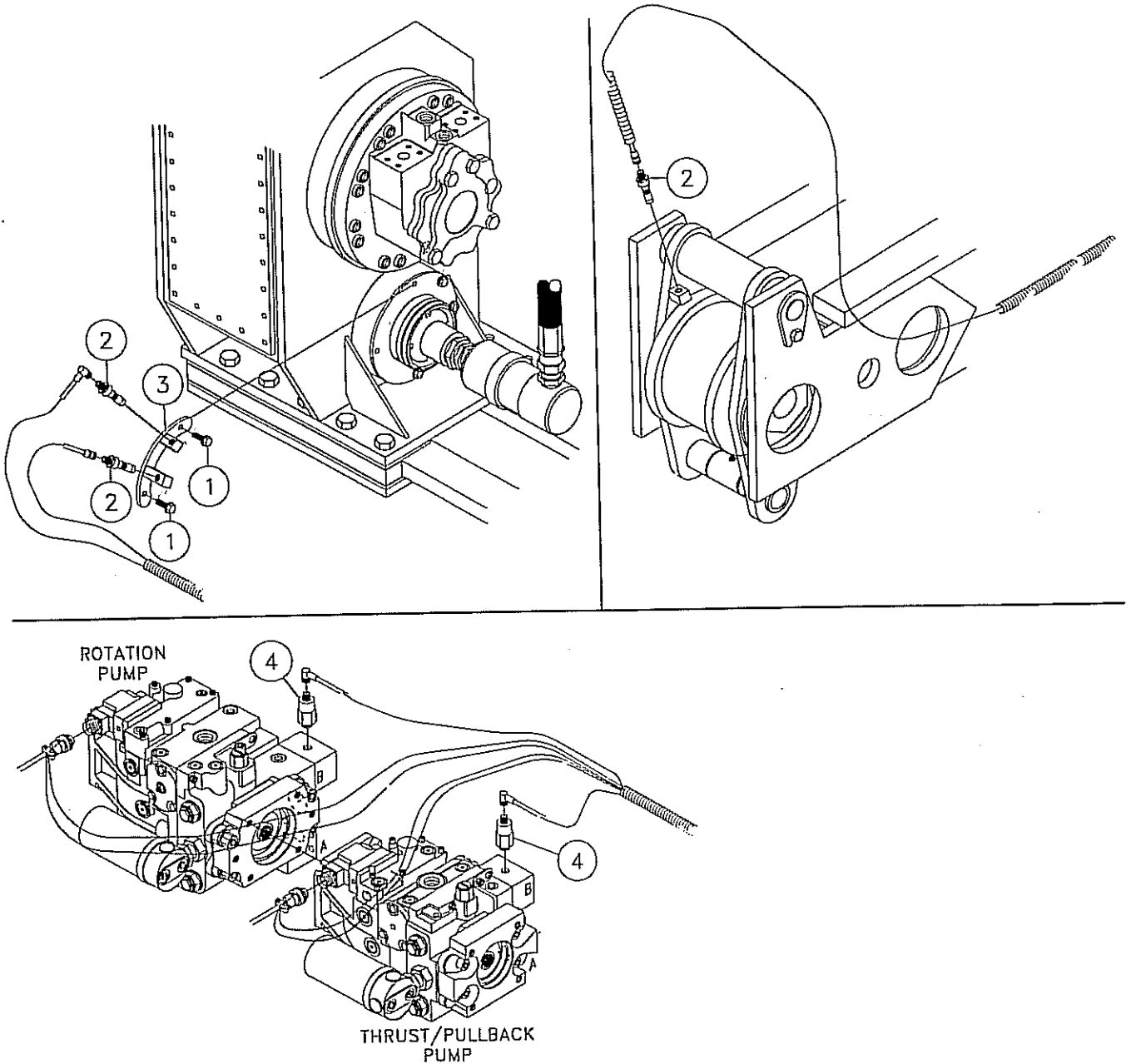
ACCESSORIES

- 238763-001 RAIN COVER-MOLE MAP MONITOR
- 238762-001 SUNSCREEN-MOLE MAP MONITOR
- 216871-001 ANTENNA-TRANSMITTER/MONITOR



TRANSDUCER/SPEED SENSOR ASSEMBLY

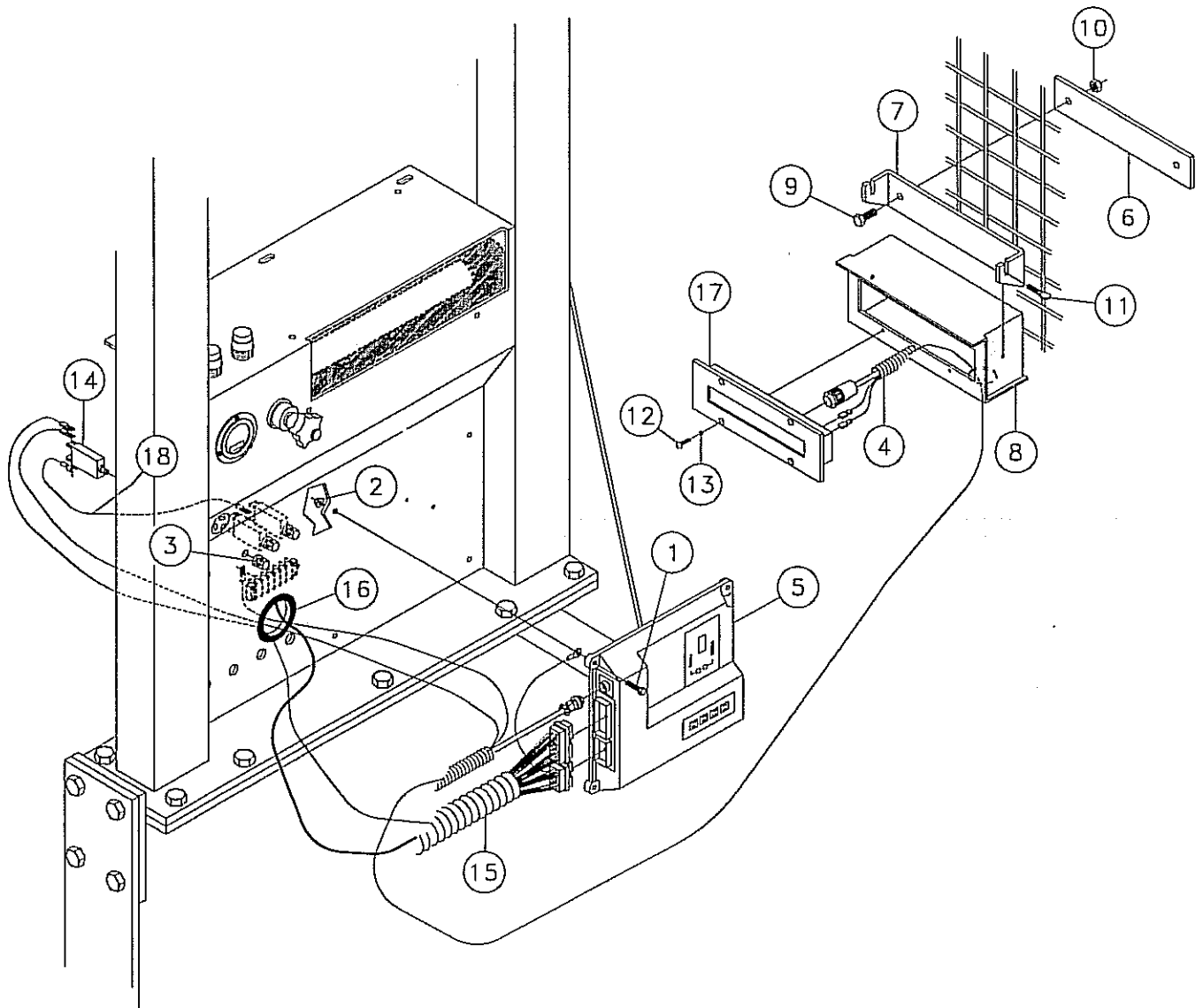
Figure 13-1



REF. NO.	PART NO.	DESCRIPTION	QTY.
13-1	1	4475-010 BOLT-3/8-16X1 FLANGE WHIZ	2
13-1	2	114282-009 SPEED SENSOR	3
13-1	3	234812-001 MOUNT-PPU	1
13-1	4	234969-001 TRANSDUCER-PRESSURE (0-6000)	2

MICROPROCESSOR ASSEMBLY

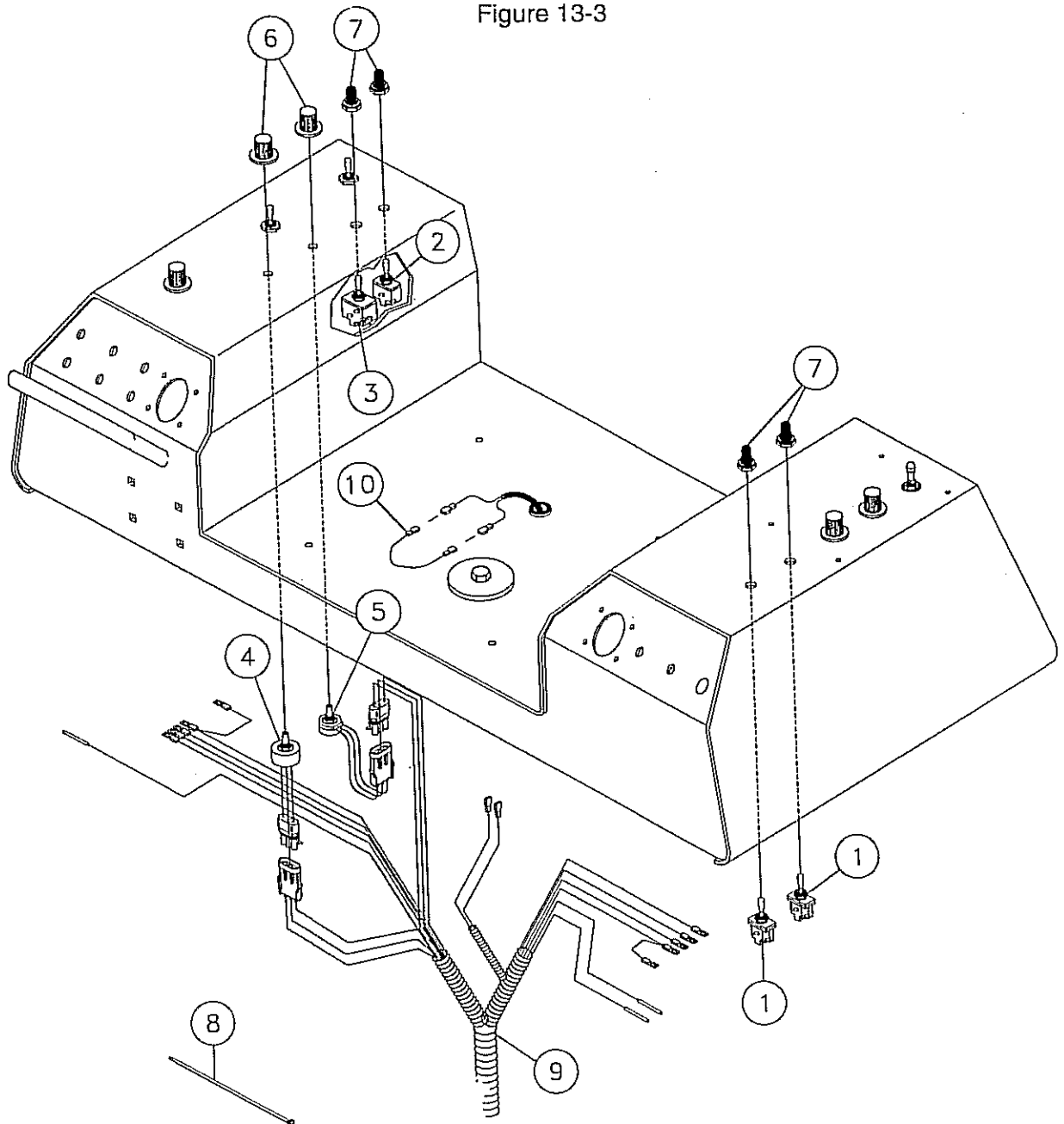
Figure 13-2



REF. NO.	PART NO.	DESCRIPTION	QTY.
13-2	1	350-014 BOLT-1/4-20X1 1/2"GRADE#5 HEX	4
13-2	2	405-001 NUT-1/4 NC FLG WHIZ LOCK	4
13-2	3	89597-001 COVER-BREAKER SWITCH	1
13-2	4	234869-001 DISPLAY HARNESS ASSY	1
13-2	5	234872-001 MICROPROCESSOR ASSEMBLY	1
13-2	6	234799-001 CLAMP	1
13-2	7	234756-001 BRACKET-DISPLAY	1
13-2	8	234811-001 MOUNT-DISPLAY	1
13-2	9	354-012 BOLT-3/8 - 16X 1 1/4" GR5 HEX	2
13-2	10	416-001 NUT-3/8 NC SLTL	2
13-2	11	120021-001 BOLT-1/4-20 X 3/4 THUMB SCREW	2
13-2	12	533-004 SCREW-10-24X1/2 RND.HD.SLTMACH	4
13-2	13	480-001 WASHER-3/16 S/T LOCK	4
13-2	14	72079-001 BREAKER 45-700-514-DD 5 AMP	1
13-2	15	244535-001 HARNESS-D50X100A NAVTEC	1
13-2	16	212522-003 TRIM-1/4" X 10.00	1
13-2	17	601422-001 DISPLAY- 2 X 24 LCD	1
13-2	18	234868-001 JUMPER ASSY-12V SUPPLY	1

CONTROL PANEL ASSEMBLY - NAVTEC

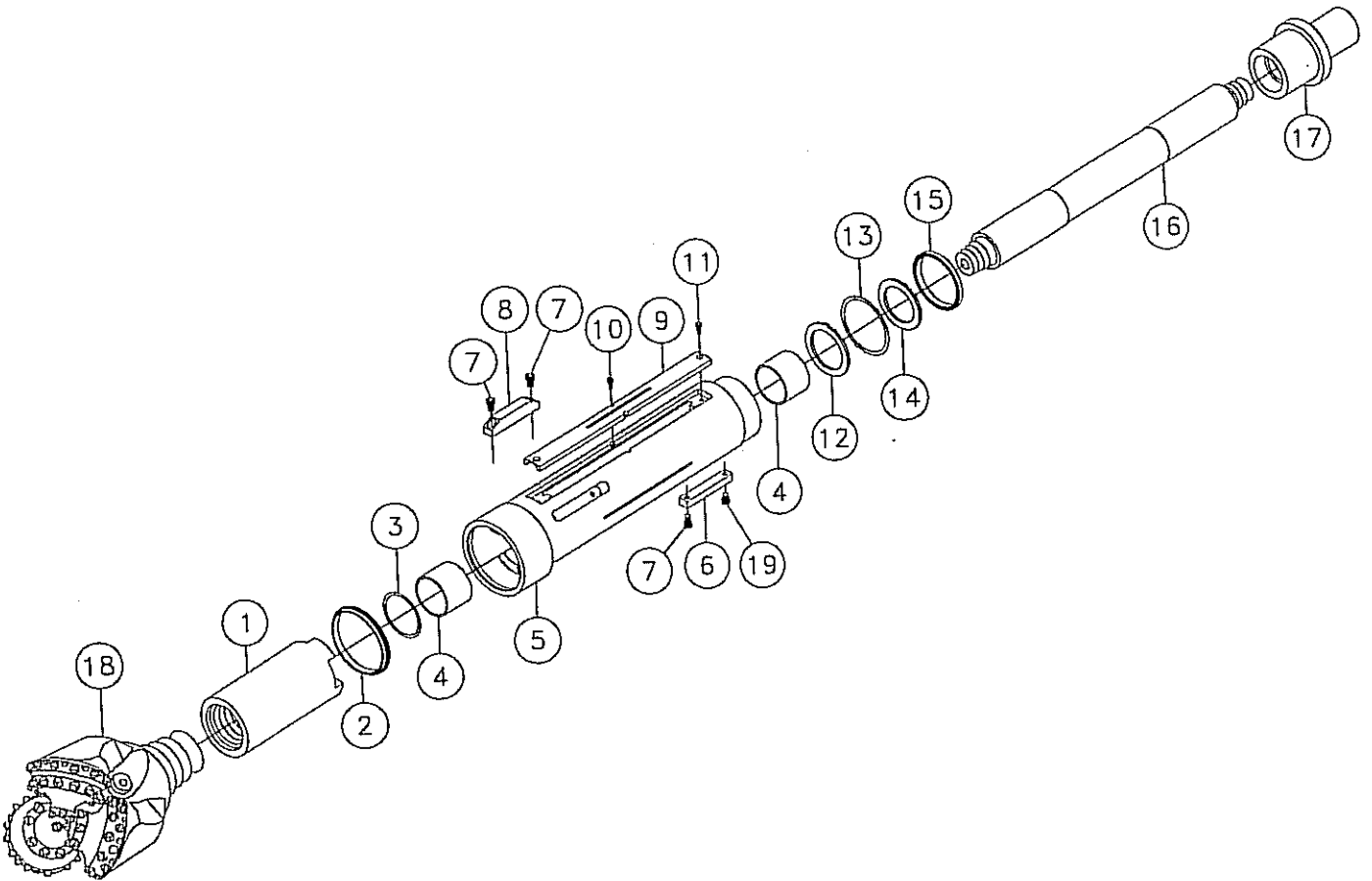
Figure 13-3



REF. NO.	PART NO.	DESCRIPTION	QTY.
13-3	1	57938-001 SWITCH-8510K2	2
13-3	2	67292-001 SWITCH-TOGGLE 8500K9 SEALED	1
13-3	3	67293-001 SWITCH-TOGGLE 8511K14 SEALED	1
13-3	4	234865-001 STEERING POT ASSEMBLY	1
13-3	5	234866-001 PRESSURE SET POT ASSEMBLY	1
13-3	6	78114-001 CONTROL KNOB #409D2K1	2
13-3	7	5537-001 COVER-TOGGLE SWITCH	4
13-3	8	59634-001 NYLON TIE 8"	A/R
		58151-001 STRAP-CABLE TIE-T120R-0 15"	A/R
13-3	9	244535-001 HARNESS-D50X100A NAVTEC	1
13-3	10	234867-001 JUMPER ASSEMBLY-SEAT	1

ROCK DRILLING HEAD ASSEMBLY

Figure 14-1



REF. NO.	PART NO.	DESCRIPTION	QTY.	REF. NO.	PART NO.	DESCRIPTION	QTY.	
14-1	1	234996-001	DRIVE SUB-LOWER	1	14-1	11	512-006 3/8-16X3/4*SOCKET HEAD BOLT	2
14-1	2	240555-001	ROD WIPER-6.00 PARKER	1	14-1	12	234997-001 THRUST PLATE-D50X100	1
14-1	3	240552-001	SNAP RING-3.125 EXT. SPIRAL	1	14-1	13	240553-001 SNAP RING-5.625 EXT. SPIRAL	1
14-1	4	240509-001	BUSHING-D50X100 ROCK HEAD	2	14-1	14	240551-001 BEARING-THRUST	1
14-1	5	240580-001	DRILL HEAD ASSY ROTARY (INC. TWO OF REF. 4)	1	14-1	15	240554-001 ROD WIPER-5.00 PARKER	1
14-1	6	234999-001	SLIDER-REAR	2	14-1	16	234994-001 DRIVE SHAFT-3 5/8"	1
14-1	7	4480-001	1/2-13X3/4 SOCKET HD CAPSCREW	6	14-1	17	240592-001 DRIVE SUB-UPPER 2 7/8	1
14-1	8	234998-001	SLIDER-FRONT	2	14-1	17	234995-001 DRIVE SUB-UPPER 3 1/2	1
14-1	9	240589-001	LID ASSEMBLY	1	14-1	18	240558-001 TRICONE BIT-8 1/2 #3 CARBIDE	1
14-1	10	240560-001	BOLT-5/16-18 X 3/8 SOC HD CAP	2	14-1	19	240591-001 CAPSCREW-1/2-13X1/2 SOCKET HD	2

<u>FIG. NO.</u>	<u>PART NO.</u>	<u>FIG. NO.</u>	<u>PART NO.</u>	<u>FIG. NO.</u>	<u>PART NO.</u>	<u>FIG. NO.</u>	<u>PART NO.</u>				
3-41	9	208-015	1-13	1	358-036	6-1	4	423-001	3-24	2	480-011
3-44	13	208-015	7-8	14	358-044	6-3	6	423-001	3-25	16	480-011
3-41	8	208-017	1-16	2	366-016	2-10	19	423-001	3-27	2	480-011
3-44	12	208-017	6-1	24	366-020	3-11	23	423-001	1-6	14	480-015
3-41	7	208-019	7-6	4	366-020	3-26	10	423-001	7-5	15	480-015
3-44	11	208-019	6-4	9	366-022	4-10	13	423-001	7-6	5	480-015
4-5	3	350-006	7-5	14	366-022	4-11	9	423-001	7-8	5	480-017
5-1	9	350-010	1-16	2	366-022	1-18	1	428-001	1-15	3	480-017
1-18	6	350-014	2-7	1	366-034	8-2	20	429-001	1-19	4	480-017
13-2	1	350-014	6-1	19	366-044	1-24	16	429-001	1-20	6	480-017
3-20	4	350-014	3-25	15	369-016	3-25	17	429-001	3-25	14	480-017
3-26	9	350-016	7-8	12	369-034	1-5	3	430-001	5-1	20	481-003
3-11	34	350-020	1-15	2	369-036	2-4	4	430-001	4-4	12	482-001
5-1	15	351-012	1-20	7	369-036	6-1	18	430-001	8-8	25	483-007
7-4	18	351-012	2-5	9	373-005	6-4	9	430-001	1-8	5	483-019
7-5	19	351-012	2-5	15	375-006	1-10	5	430-001	4-7	18	485-001
7-6	12	351-012	2-7	22	375-006	1-16	1	430-001	4-5	2	485-003
7-7	10	351-012	2-9	7	375-010	7-8	7	434-001	4-7	23	485-003
8-6	15	351-012	4-6	2	375-010	3-39	7	446-001	4-8	16	485-003
8-7	9	351-012	1-11	9	375-010	3-26	12	451-001	5-1	10	485-003
8-8	18	351-012	3-31	2	375-010	3-6	8	480-001	3-20	5	485-003
3-23	6	351-012	4-12	4	375-010	4-7	20	480-001	4-10	17	485-005
3-19	4	351-026	8-8	1	375-012	13-2	13	480-001	1-5	4	485-007
7-2	2	351-030	8-6	13	375-014	2-6	7	480-003	2-6	2	485-007
3-18	13	351-030	2-4	9	377-012	4-7	24	480-003	2-7	23	485-007
3-22	9	351-044	2-10	12	377-014	4-8	11	480-003	6-2	6	485-007
1-5	4	354-010	4-10	15	377-014	3-26	8	480-003	7-8	10	485-007
5-1	8	354-012	3-11	20	377-016	3-18	14	480-005	8-7	7	485-007
1-14	17	354-012	3-27	1	383-044	3-19	5	480-005	8-8	16	485-007
13-2	9	354-012	1-6	5	384-026	3-22	10	480-005	3-26	7	485-007
3-14	1	354-014	1-6	15	396-001	1-5	4	480-007	3-29	20	485-007
6-13	1	354-016	4-1	14	399-001	2-9	9	480-007	3-31	12	485-007
2-9	1	354-020	1-18	11	399-001	6-9	20	480-007	3-8	18	485-009
3-21	1	354-020	4-1	6	400-001	7-3	2	480-007	4-4	2	485-009
7-3	3	354-024	4-2	5	400-001	7-8	11	480-007	1-5	5	485-011
3-25	11	354-026	4-7	21	400-001	8-2	16	480-007	1-6	8	485-011
3-29	1	354-036	4-7	25	401-001	8-6	10	480-007	2-4	10	485-011
3-16	1	357-010	5-1	11	403-001	1-14	3	480-007	4-6	7	485-011
3-17	1	357-010	2-5	12	405-001	3-14	2	480-007	7-4	11	485-011
4-4	6	357-012	4-5	1	405-001	3-21	2	480-007	7-5	17	485-011
3-9	16	357-016	4-7	17	405-001	3-25	10	480-007	8-2	23	485-011
3-10	19	357-016	1-17	1	405-001	3-29	3	480-007	8-8	8	485-011
3-11	13	357-016	13-2	2	405-001	6-13	2	480-007	1-14	20	485-011
3-15	1	357-016	3-11	28	405-001	3-9	15	480-009	2-10	21	485-011
3-9	24	357-040	3-18	15	406-001	3-10	18	480-009	3-11	22	485-011
3-10	26	357-040	4-10	9	406-001	3-11	12	480-009	4-10	14	485-011
4-3	2	358-010	4-8	6	407-001	3-15	2	480-009	2-4	2	485-015
8-2	22	358-010	8-8	6	407-001	3-16	2	480-009	7-8	16	485-017
3-24	1	358-010	4-4	5	408-001	3-17	2	480-009	3-25	13	485-017
3-25	1	358-010	4-11	4	408-001	1-5	5	480-011	1-12	10	510-005
1-5	5	358-012	7-2	1	409-001	1-6	1	480-011	1-13	6	510-005
6-3	7	358-012	3-29	4	412-001	1-6	9	480-011	1-15	9	510-005
7-5	18	358-012	8-8	4	413-001	2-4	11	480-011	1-10	7	510-011
8-8	27	358-012	4-14	4	413-001	3-9	2	480-011	7-7	2	510-017
1-11	2	358-012	2-10	15	415-001	4-3	3	480-011	7-4	9	510-021
1-14	22	358-012	2-7	24	416-001	6-4	10	480-011	7-5	11	510-021
6-1	3	358-014	5-1	12	416-001	7-8	15	480-011	8-8	26	510-025
6-4	10	358-014	6-2	7	416-001	8-2	12	480-011	3-39	17	510-035
7-4	12	358-014	8-6	1	416-001	8-8	22	480-011	8-6	6	510-047
3-15	11	358-014	13-2	10	416-001	1-11	3	480-011	14-1	11	512-006
3-26	14	358-014	4-12	6	416-001	1-13	2	480-011	1-8	11	530-001
3-12	6	358-016	4-4	3	420-001	1-14	21	480-011	13-2	12	533-004
3-13	8	358-016	2-4	12	421-001	1-15	14	480-011	4-8	5	548-010
1-15	13	358-020	6-4	10	421-001	2-10	18	480-011	8-8	3	549-020
8-8	9	358-022	8-2	13	421-001	3-10	4	480-011	1-8	14	586-001
8-8	23	358-022	4-6	1	422-001	3-11	4	480-011	1-12	2	586-001
4-6	3	358-024	8-2	2	422-001	3-12	5	480-011	1-13	8	586-001
8-2	10	358-024	8-8	39	422-001	3-13	7	480-011	1-14	7	586-001
4-11	6	358-026	5-1	4	423-001	3-15	10	480-011	1-11	7	590-001

(PAGE 2) D50x100a/NAVTEC NAVIGATOR INDEX

<u>FIG. NO.</u>	<u>PART NO.</u>	<u>FIG. NO.</u>	<u>PART NO.</u>	<u>FIG. NO.</u>	<u>PART NO.</u>	<u>FIG. NO.</u>	<u>PART NO.</u>				
1-8	1	593-001	1-2	4	2326-619	3-28	2	4475-006	1-2	39	23261-756
7-8	6	597-001	1-3	4	2326-619	3-30	3	4475-006	1-4	4	23261-756
4-3	9	598-001	1-1	39	2326-756	4-10	1	4475-006	2-4	7	24772-001
8-2	14	598-001	1-4	4	2326-756	2-6	9	4475-010	3-8	4	24772-001
8-8	40	598-001	1-1	45	2326-940	3-8	19	4475-010	4-10	12	24772-001
8-10	15	598-001	1-2	45	2326-940	4-4	9	4475-010	3-11	26	24773-001
2-10	10	620-029	1-4	11	2326-940	7-7	8	4475-010	1-6	23	26384-001
2-10	29	620-105	4-7	9	2595-007	8-2	18	4475-010	1-7	10	26384-001
3-14	15	682-001	4-10	16	2595-007	1-13	7	4475-010	4-1	4	26452-001
6-1	21	707-003	2-9	4	2609-017	13-1	1	4475-010	4-2	10	26452-001
6-5	5	730-003	1-24	12	3113-009	2-10	11	4475-010	4-3	5	26452-001
2-10	7	732-007	1-24	13	3115-027	3-30	9	4475-010	4-7	14	26452-001
6-3	10	732-009	3-40	1	3128-009	8-8	13	4475-012	4-1	3	26453-001
1-15	18	732-009	3-44	1	3128-009	2-3	5	4478-014	4-2	9	26453-001
1-20	36	732-009	3-41		3147-011	6-9	19	4478-024	4-3	23	26453-001
10-2	5	736-007	3-44		3147-011	3-37	5	4478-024	4-7	15	26453-001
9-3	6	792-029	3-44	14	3147-023	14-1	7	4480-001	4-2	1	27148-001
7-4	24	1081-001	3-41	12	3147-027	2-5	4	4536-001	1-5	3	27169-016
7-8	3	1096-005	3-44	15	3147-027	2-6	10	4536-001	1-10	10	27169-016
2-10	9	1578-001	3-39	10	3147-029	2-7	19	4536-001	4-13	5	28950-001
2-7	10	1580-001	3-39	14	3147-035	2-8	5	4536-001	1-11	4	38884-001
2-7	6	1580-011	3-40		3147-035	2-9	8	4536-001	6-13	4	51163-001
1-8	9	1715-011	3-40		3147-037	3-6	4	4536-001	8-9	4	51172-001
1-12	5	1715-091	3-43		3147-037	3-8	20	4536-001	9-3	5	51181-001
1-13	14	1715-091	3-39	19	3147-039	4-4	11	4536-001	6-13	6	51181-001
1-14	15	1715-091	3-40	2	3147-041	4-6	5	4536-001	4-6	4	52864-001
1-20	31	1715-097	3-44	2	3147-041	4-7	8	4536-001	4-6	4	52864-003
1-20	27	1715-099	3-40	8	3147-043	8-2	6	4536-001	4-6	4	52864-005
1-8	8	1716-011	3-39	9	3147-077	8-8	38	4536-001	4-6	4	52864-007
1-12	4	1716-153	3-39	3	3147-079	1-11	10	4536-001	4-6	4	52864-009
1-13	13	1716-153	3-39	16	3147-081	2-10	14	4536-001	4-3	16	53276-001
1-14	14	1716-153	3-42	1	3149-005	3-30	5	4536-001	3-25	21	53653-006
1-20	32	1716-161	3-42	3	3149-013	3-31	3	4536-001	3-9	21	53658-001
1-20	26	1716-163	3-39	5	3152-013	4-8	10	4734-001	3-19	9	53658-001
3-53	5	1749-025	3-44		3159-005	4-3	19	5537-001	3-12	7	53823-001
3-23	1	1788-033	3-44	8	3159-007	13-3	7	5537-001	3-13	9	53823-001
1-18	8	1789-001	1-24	5	3211-043	4-13	2	5537-001	3-14	13	53827-001
8-8	10	1789-013	10-2	4	3379-001	2-2	7	5902-001	3-22	2	53827-001
8-3	2	1794-003	1-8	7	3967-001	3-39	4	6149-005	3-22	5	53828-001
3-6	8	1802-006	3-14	20	4235-001	3-42		6149-005	3-29	12	53828-001
4-1	10	1802-006	3-29	9	4235-001	3-42	4	6149-043	3-30	8	53828-001
4-3	17	1802-006	3-39	11	4333-003	3-42	2	6149-057	3-8	16	53829-001
4-1	5	1802-010	3-39	12	4333-005	1-8	12	6702-003	3-14	12	53829-001
4-2	6	1802-010	1-24	15	4350-001	1-8	6	6706-001	3-15	7	53829-001
4-7	19	1802-010	2-6	6	4473-006	1-6	6	6716-001	3-29	7	53829-001
4-11	8	1803-019	2-7	20	4473-006	1-18	10	10530-012	3-7	12	53835-001
1-6	12	1803-051	4-7	16	4473-006	2-10	8	11384-001	3-10	12	53835-001
6-4	6	1830-059	1-17	2	4473-010	2-1	5	11981-001	3-29	5	53835-001
8-2	9	1835-033	1-18	13	4473-010	1-6	22	12698-001	3-15	8	53842-027
1-11	6	1835-099	4-4	8	4474-004	1-7	11	12698-001	3-18	3	53842-027
6-4	7	1838-001	2-4	13	4475-006	2-3	3	13625-001	3-29	10	53842-027
9-1	12	1838-001	2-5	1	4475-006	3-11	25	13625-001	3-12	8	53842-047
4-3	7	1865-015	2-6	1	4475-006	1-24	14	15164-001	3-29	11	53842-047
3-31	5	1865-055	2-7	18	4475-006	4-8	2	15693-001	2-2	15	53842-063
8-3	1	2107-007	2-8	4	4475-006	4-8	14	15694-001	3-7	9	53842-123
8-3	6	2108-001	3-6	3	4475-006	1-24	17	15694-001	3-8	17	53842-123
9-1	5	2108-001	4-7	10	4475-006	3-41		15844-007	3-14	18	53842-123
1-16	5	2108-001	7-2	5	4475-006	3-41	4	15844-009	3-22	12	53842-123
6-4	8	2109-003	7-3	11	4475-006	8-8	15	16114-016	3-29	8	53842-147
3-39	13	2110-003	7-6	2	4475-006	4-8	12	17391-001	3-31	6	53842-147
2-8	2	2157-001	8-7	3	4475-006	4-10	22	17393-001	3-14	10	53842-303
1-1	38	2326-315	1-10	3	4475-006	1-14	2	18150-001	3-22	1	53842-303
1-4	2	2326-315	1-12	9	4475-006	3-24	3	18150-001	3-14	11	53842-515
1-1	20	2326-324	1-14	11	4475-006	2-7	21	18992-001	3-31	10	53842-515
1-3	22	2326-324	1-20	18	4475-006	4-11	2	20666-001	8-4	10	53843-039
1-1	4	2326-595	2-10	13	4475-006	1-2	38	23261-315	8-7	13	53843-039
1-2	4	2326-595	3-24	5	4475-006	1-4	2	23261-315	3-17	10	53843-057
1-3	20	2326-595	3-25	19	4475-006	1-2	20	23261-324	3-20	9	53843-057
1-1	4	2326-619	3-27	7	4475-006	1-3	22	23261-324	8-4	3	53843-061

<u>FIG. NO.</u>	<u>PART NO.</u>	<u>FIG. NO.</u>	<u>PART NO.</u>	<u>FIG. NO.</u>	<u>PART NO.</u>	<u>FIG. NO.</u>	<u>PART NO.</u>				
8-6	18	53843-061	3-30	1	53845-753	8-5	5	57968-001	3-22	7	65565-001
8-4	6	53843-163	3-14	16	53845-769	8-6	16	57968-001	7-3	4	65570-001
8-7	15	53843-163	3-22	11	53845-769	8-7	4	57968-001	3-24	17	65570-001
3-8	15	53843-197	3-14	5	53845-771	8-8	12	57968-001	4-2	17	66462-001
7-3	18	53843-201	3-22	6	53845-771	3-11	30	57968-001	2-10	25	66695-001
7-7	4	53843-201	3-16	6	53845-773	3-15	12	57968-001	4-2	14	66816-001
8-4	11	53843-201	3-25	12	53845-773	3-18	8	57968-001	3-18	12	67263-001
8-6	12	53843-201	3-16	8	53845-779	3-23	4	57968-001	3-17	11	67291-001
8-4	4	53843-205	3-29	7	53845-779	3-26	3	57968-001	3-20	6	67291-001
8-6	19	53843-205	3-10	22	53845-791	3-49	15	58035-007	3-21	6	67291-001
7-3	17	53843-215	3-30	7	53845-791	3-49	16	58035-007	4-3	18	67292-001
7-7	5	53843-215	3-11	17	53845-793	1-24	7	58138-001	13-3	2	67292-001
8-4	7	53843-231	3-17	7	53845-793	13-3	8	58151-001	4-13	1	67292-001
8-5	4	53843-231	3-10	23	53845-795	7-7	6	58295-001	13-3	3	67293-001
8-4	9	53843-233	3-16	13	53845-795	3-15	5	59255-127	3-7	10	67570-001
8-7	12	53843-233	3-7	13	53846-001	3-17	15	59255-127	4-14	8	67707-001
8-8	34	53843-233	3-10	13	53846-001	3-15	15	59255-129	4-14	7	67708-001
3-9	18	53843-237	3-28	5	53846-059	3-17	16	59255-129	4-14	9	67712-001
3-20	11	53843-237	3-29	6	53846-059	7-3	19	59401-001	4-14	10	67723-001
3-16	9	53843-239	3-7	3	53846-065	3-7	6	59409-001	4-14	11	67724-001
3-17	8	53843-239	3-28	4	53846-065	3-15	16	59409-001	3-9	13	67745-001
3-10	7	53843-251	3-7	14	53846-209	3-10	14	59410-001	3-10	20	67745-001
3-11	7	53843-251	3-11	19	53846-209	3-11	9	59410-001	3-11	14	67745-001
3-26	4	53843-251	3-9	17	53846-431	3-19	2	59410-001	3-15	3	67745-001
3-13	3	53843-253	3-31	4	53846-431	3-13	15	59411-001	3-14	4	67746-001
3-16	10	53843-253	3-22	3	53846-469	3-7	20	59417-001	5-1	16	67846-003
3-17	12	53843-253	3-31	9	53846-469	3-8	25	59417-001	7-4	19	67846-003
3-20	1	53843-253	3-9	25	53846-487	3-18	16	59420-001	7-5	20	67846-003
8-4	5	53843-257	3-31	11	53846-487	6-1	29	59423-001	7-6	13	67846-003
8-7	14	53843-257	3-29	14	53871-001	7-7	3	59423-001	7-7	11	67846-003
3-11	31	53843-303	6-9	9	55419-001	3-11	35	59423-001	8-6	14	67846-003
3-15	13	53843-303	3-14	9	56725-001	3-26	5	59423-001	8-7	10	67846-003
3-20	8	53843-325	4-1	15	57200-001	3-14	19	59425-001	8-8	19	67846-003
3-29	18	53843-325	1-24	2	57300-001	7-3	8	59426-001	3-23	7	67846-003
3-26	17	53843-395	2-7	11	57706-001	7-5	3	59426-001	7-4	20	67846-005
3-29	19	53843-395	5-1	2	57867-012	7-6	11	59426-001	7-5	21	67846-005
3-8	26	53843-481	13-3	1	57938-001	3-10	10	59426-001	7-6	14	67846-005
3-26	18	53843-481	3-14	14	57940-029	3-24	9	59426-001	7-7	12	67846-005
3-18	20	53843-539	3-22	13	57940-029	13-3	8	59634-001	8-6	3	67846-005
3-23	3	53843-539	7-3	5	57940-057	7-4	3	59928-001	8-7	11	67846-005
8-4	8	53843-573	7-3	12	57940-167	8-5	3	59928-001	8-8	37	67846-005
8-8	29	53843-573	7-6	9	57940-167	3-19	11	59928-001	3-53	4	68094-055
3-12	2	53843-709	7-3	9	57940-169	3-14	8	60247-001	3-53	3	68094-057
3-13	4	53843-709	3-14	7	57940-407	3-13	2	60248-001	2-7	4	68125-001
8-8	31	53843-717	3-22	8	57940-407	3-30	2	60718-001	3-24	10	68209-023
3-18	23	53843-721	7-4	5	57940-479	3-22	4	60907-001	3-9	10	68210-001
3-23	10	53843-721	7-5	4	57940-479	3-18	17	60909-001	3-11	36	68210-001
8-8	32	53843-729	7-3	13	57940-485	3-7	7	61456-001	3-21	5	68210-001
9-1	8	53844-167	7-5	7	57940-485	8-4	2	61497-001	3-39	6	68386-001
3-7	19	53845-001	7-3	14	57940-547	3-28	3	61703-001	1-24	1	68573-001
3-10	15	53845-001	7-4	17	57940-547	4-2	17	63579-001	1-24	8	68574-001
3-7	18	53845-007	7-6	10	57940-589	1-21	10	64078-025	1-24	4	68577-001
3-13	10	53845-007	7-4	7	57940-617	1-22	10	64078-025	1-24	6	68578-001
3-19	1	53845-131	7-5	5	57940-617	1-21	11	64078-027	1-24	3	68579-001
3-29	15	53845-131	3-10	11	57940-659	1-22	11	64078-027	1-24	9	68580-003
3-11	16	53845-611	3-19	8	57940-659	2-4	6	64108-001	1-24	11	68581-001
3-17	5	53845-611	3-10	17	57940-661	3-8	3	64108-001	1-24	11	68582-001
3-12	10	53845-615	3-19	7	57940-661	4-7	3	64108-001	9-1	9	68634-001
3-13	12	53845-615	3-18	22	57940-663	2-10	27	64108-001	7-3	20	68774-001
3-16	5	53845-615	3-24	13	57940-663	4-10	11	64108-001	7-4	16	68774-001
3-17	14	53845-615	3-18	21	57940-665	1-9	4	64109-001	3-18	10	68774-001
3-7	8	53845-677	3-24	14	57940-665	4-7	4	64110-001	3-19	6	68774-001
3-9	7	53845-677	3-18	11	57940-719	2-10	28	64110-001	7-4	4	68787-001
3-11	10	53845-677	3-32	4	57940-719	3-7	16	65560-023	7-5	8	68787-001
3-7	21	53845-683	3-36	12	57941-093	3-8	6	65560-023	7-6	3	68787-001
3-29	13	53845-683	3-27	4	57950-001	3-7	5	65560-085	3-24	12	68787-001
3-8	8	53845-687	8-5	1	57967-001	3-9	11	65560-085	3-36	8	68859-011
3-18	4	53845-687	3-18	5	57967-001	3-18	7	65563-001	4-1	15	69759-001
3-16	12	53845-753	3-9	20	57968-001	3-18	9	65565-001	4-14	12	69892-005

(PAGE 4) D50x100a/NAVTEC NAVIGATOR INDEX

<u>FIG. NO.</u>	<u>PART NO.</u>	<u>FIG. NO.</u>	<u>PART NO.</u>	<u>FIG. NO.</u>	<u>PART NO.</u>	<u>FIG. NO.</u>	<u>PART NO.</u>				
1-6	11	69908-001	1-2	23	700IA-813	1-2	8	70000-615	3-8	12	81343-001
1-1	16	700IA-260	1-3	25	700IA-813	1-3	9	70000-615	3-17	9	81343-001
1-2	16	700IA-260	1-1	26	7000A-027	6-2	15	70000-675	3-20	7	81343-001
1-3	17	700IA-260	1-2	26	7000A-027	10-2	8	70000-685	3-21	7	81343-001
1-1	6	700IA-262	1-3	28	7000A-027	1-1	1	70000-775	3-8	24	81345-001
1-2	6	700IA-262	6-2	15	7000A-027	1-2	1	70000-775	4-2	2	81374-001
1-3	6	700IA-262	1-1	11	7000A-325	1-3	1	70000-775	3-6	6	81590-001
1-1	24	700IA-265	1-3	12	7000A-325	1-4	3	70000-775	4-2	19	81665-001
1-2	24	700IA-265	1-1	33	7000A-392	1-1	44	70000-834	3-31	7	81698-001
1-3	26	700IA-265	1-3	35	7000A-392	1-2	44	70000-834	3-8	5	81703-001
1-1	28	700IA-266	1-4	6	7000A-392	1-4	10	70000-834	3-9	12	81703-001
1-2	28	700IA-266	8-3	9	7000A-392	1-1	22	70000-939	3-7	1	81704-001
1-3	30	700IA-266	1-1	32	7000A-393	1-2	22	70000-939	3-9	19	81902-001
1-1	5	700IA-268	1-3	34	7000A-393	1-3	24	70000-939	3-10	8	81902-001
1-2	5	700IA-268	1-1	31	7000A-394	10-3	14	70000-944	3-11	11	81902-001
1-3	5	700IA-268	1-3	33	7000A-394	3-7	15	70006-001	3-33	3	81902-001
1-1	9	700IA-269	1-1	7	7000A-395	3-8	10	70008-001	3-34	3	81902-001
1-2	9	700IA-269	1-3	7	7000A-395	3-13	14	70008-001	3-35	3	81902-001
1-3	10	700IA-269	1-1	17	7000A-508	3-16	11	70008-001	4-7	6	81947-001
1-1	12	700IA-270	1-2	17	7000A-508	3-17	4	70008-001	8-8	28	82930-001
1-2	12	700IA-270	1-3	18	7000A-508	3-29	6	70008-001	3-20	10	82930-001
1-3	13	700IA-270	1-1	36	7000A-510	3-9	6	70032-001	3-26	2	82930-001
1-1	30	700IA-305	1-2	36	7000A-510	7-6	7	70070-003	8-5	2	82931-001
1-2	30	700IA-305	1-3	38	7000A-510	1-19	1	70096-001	8-6	17	82931-001
1-3	32	700IA-305	10-1	3	7000A-549	4-2	1	70889-001	3-10	6	82931-001
1-1	29	700IA-306	1-1	25	7000A-741	3-29	9	71220-007	3-11	32	82931-001
1-2	29	700IA-306	1-2	25	7000A-741	3-9	9	72056-001	3-18	6	82931-001
1-3	31	700IA-306	1-3	27	7000A-741	3-10	9	72056-001	7-4	2	83015-001
1-2	11	700IA-325	1-1	34	7000A-745	3-11	8	72056-001	3-9	23	83635-001
1-3	12	700IA-325	1-2	34	7000A-745	4-2	15	72079-001	7-3	7	83635-001
1-2	33	700IA-392	1-3	36	7000A-745	13-2	14	72079-001	3-10	24	83635-001
1-3	35	700IA-392	1-1	3	7000A-790	4-1	16	72082-001	3-29	5	83638-001
1-3	35	700IA-392	1-2	3	7000A-790	3-14	3	72894-001	1-21	12	83651-025
1-4	6	700IA-392	1-3	3	7000A-790	3-9	14	72895-001	1-22	12	83651-025
8-3	9	700IA-392	1-1	40	7000A-814	3-10	21	72895-001	2-8	11	84096-001
1-2	32	700IA-393	1-2	40	7000A-814	3-11	15	72895-001	1-21	2	84550-009
1-3	34	700IA-393	1-4	5	7000A-814	3-15	4	72895-001	1-22	2	84550-009
1-2	31	700IA-394	1-1	46	7000A-858	1-19	2	72897-001	1-21	4	84550-025
1-3	33	700IA-394	1-2	46	7000A-858	1-6	2	75381-012	1-22	4	84550-025
1-2	7	700IA-395	1-4	12	7000A-858	1-6	3	75381-014	1-21	3	84550-029
1-3	7	700IA-395	1-2	41	7000I-044	3-9	1	75381-014	1-22	3	84550-029
1-1	18	700IA-401	1-4	7	7000I-044	3-10	5	75381-014	1-21	21	84550-069
1-2	18	700IA-401	1-2	43	7000I-530	3-11	5	75381-014	1-22	21	84550-069
1-3	19	700IA-401	1-4	9	7000I-530	1-6	10	75381-016	1-21	22	84550-071
1-1	15	700IA-477	5-2	2	7000I-530	6-1	28	75493-001	1-22	22	84550-071
1-2	15	700IA-477	1-2	42	7000I-563	3-7	4	77137-001	1-21	23	84550-073
1-3	16	700IA-477	1-4	8	7000I-563	3-31	8	77734-001	1-22	23	84550-073
1-1	14	700IA-490	8-3	8	7000I-563	2-2	16	77735-001	1-21	19	85635-027
1-2	14	700IA-490	1-1	41	70000-044	2-3	2	77736-001	1-22	19	85635-027
1-3	15	700IA-490	1-4	7	70000-044	4-2	13	77964-001	1-21	20	85635-029
1-1	35	700IA-509	1-1	37	70000-089	3-12	11	78057-001	1-22	20	85635-029
1-2	35	700IA-509	1-2	37	70000-089	3-13	11	78057-001	3-33	2	85642-007
1-3	37	700IA-509	1-4	1	70000-089	3-16	4	78057-001	3-34	2	85642-007
1-1	19	700IA-624	1-1	21	70000-098	3-17	6	78057-001	3-35	2	85642-007
1-2	19	700IA-624	1-2	21	70000-098	2-2	17	78062-001	3-33	2	85642-009
1-3	21	700IA-624	1-3	23	70000-098	4-3	20	78104-001	3-34	2	85642-009
1-1	13	700IA-803	10-3	13	70000-340	4-1	8	78107-001	3-35	2	85642-009
1-2	13	700IA-803	1-1	43	70000-530	4-2	21	78107-001	3-33	2	85642-011
1-3	14	700IA-803	1-4	9	70000-530	4-3	10	78114-001	3-34	2	85642-011
1-1	27	700IA-804	5-2	2	70000-530	13-3	6	78114-001	3-35	2	85642-011
1-2	27	700IA-804	1-1	42	70000-563	2-10	22	78171-001	3-34	1	85642-021
1-3	29	700IA-804	1-4	8	70000-563	3-6	9	78544-001	3-35	1	85642-021
1-1	10	700IA-807	8-3	8	70000-563	3-7	11	79498-001	3-33	3	85642-051
1-2	10	700IA-807	1-1	2	70000-614	3-39	15	79704-001	3-34	3	85642-051
1-3	11	700IA-807	1-2	2	70000-614	3-42	5	79704-001	3-35	3	85642-051
1-1	8	700IA-808	1-3	2	70000-614	3-12	9	81212-001	3-36	5	85642-087
1-2	8	700IA-808	1-1	2	70000-615	3-16	14	81212-001	3-9	4	85642-163
1-3	8	700IA-808	1-1	6	70000-615	3-17	13	81212-001	3-10	1	85642-163
1-1	23	700IA-813	1-2	2	70000-615	3-29	17	81342-001	3-11	1	85642-163

FIG. NO.	PART NO.	FIG. NO.	PART NO.	FIG. NO.	PART NO.	FIG. NO.	PART NO.				
3-47	4	85647-025	4-14	27	96070-005	7-11	10	104628-009	7-11	5	200841-001
3-7	2	85657-001	4-14	22	96070-011	4-5	8	105400-N89	3-12	3	200873-001
6-1	23	85706-001	3-6	10	96291-001	4-5	9	105400-N90	3-13	5	200873-001
1-10	9	85706-001	4-10	3	96458-001	4-5	10	105400-N91	3-18	19	201482-001
3-52	12	85777-019	4-3	11	97389-007	3-29	16	108484-001	4-2	12	201793-001
7-10	11	85777-019	2-6	11	97456-001	3-51	8	110188-007	3-49	16	202529-001
7-10	13	85777-025	2-7	15	97456-001	3-51	16	110188-013	7-12	9	202720-001
3-52	14	85777-029	3-39	5	98108-011	3-46	4	110467-003	7-12	1	202721-001
3-50	7	85777-031	1-12	13	98422-001	2-5	8	110479-001	7-12	8	202722-001
7-10	4	85777-031	1-13	4	98422-001	3-8	1	113253-003	8-11	10	202722-001
4-3	4	85790-003	1-15	16	98422-001	2-8	3	113557-001	7-12	7	202724-001
3-50	14	85923-023	2-5	14	98436-001	3-52	4	114215-007	7-12	4	202726-001
1-12	13	86104-233	2-2	13	98678-001	1-23	29	114280-035	7-12	3	202727-001
1-15	16	86104-233	3-6	5	98681-001	1-23	32	114280-037	8-11	5	202727-001
1-13	4	86104-363	3-8	2	98687-005	1-23	25	114280-043	3-45	2	202731-001
1-15	11	86104-363	3-33	4	98688-009	3-36	3	114282-003	4-4	1	203254-001
2-6	5	86113-001	3-34	4	98688-009	3-36	2	114282-005	8-10	6	204315-001
4-7	12	86217-001	3-35	4	98688-009	3-36	1	114282-007	3-15	14	204731-001
9-1	7	86235-001	3-33	4	98688-011	13-1	2	114282-009	3-36		204731-001
3-41	10	86323-005	3-34	4	98688-011	1-23	37	118586-033	4-14	19	204734-011
3-44	14	86323-005	3-35	4	98688-011	8-11	6	119510-005	10-3	2	204933-005
3-9	3	86510-001	3-33	4	98688-013	4-10	21	119512-001	10-3	3	204933-007
4-7	2	86510-001	3-34	4	98688-013	4-14	14	119701-007	10-3	5	204933-011
8-2	11	86510-001	3-35	4	98688-013	4-14	6	119701-009	10-3	7	204933-015
3-10	3	86510-001	4-2	11	98933-001	1-21	2	119885-003	10-3	10	204933-021
3-11	3	86510-001	4-1	9	98937-001	1-22	2	119885-003	10-3	12	204933-023
3-12	4	86510-001	1-21	1	99098-005	1-21	24	119885-005	3-45	5	204954-001
3-13	6	86510-001	1-22	1	99098-005	1-22	24	119885-005	3-48	5	204954-001
3-15	9	86510-001	1-21	6	99098-013	13-2	11	120021-001	7-11	7	205002-001
4-2	16	86575-001	1-22	6	99098-013	7-4	15	122605-001	10-2	3	205154-003
4-3	21	86579-001	3-11	18	99385-001	7-5	6	122605-001	10-2	2	205154-005
4-3	22	86580-001	3-51	11	99541-015	7-3	16	122606-001	10-2	1	205154-007
4-2	3	86581-001	3-51	10	99541-019	7-4	6	122606-001	10-2	7	205154-011
4-7	11	86582-001	3-50	2	99859-005	7-5	2	122606-001	7-9	3	206271-005
4-10	19	87356-001	3-51	3	99859-005	6-6	2	123595-001	7-9	1	206271-007
3-40		87396-001	2-10	23	99998-001	6-6	1	123596-001	10-3	8	207042-001
4-9	3	87697-003	6-8	9	100003-001	2-8	12	123617-001	10-3	16	207368-001
4-9	2	87697-005	2-2	14	100351-001	2-8	6	123618-001	10-3	17	207369-001
8-4	1	88545-001	1-9	5	100372-001	6-5	4	129692-001	3-49	15	207403-005
3-18	2	88659-001	3-8	23	100478-001	3-32	3	130987-001	3-49		207403-009
1-24	10	88978-001	2-1	15	100480-001	8-8	30	131007-001	3-37	3	207418-005
1-24	18	88979-001	2-5	13	101522-001	8-6	11	131008-001	3-38	3	207418-005
3-39	20	89275-007	2-7	9	102118-001	6-8	3	131488-021	3-48	4	207418-005
3-44		89275-007	3-39	1	102975-001	3-36	15	131494-011	3-37	2	207418-007
8-10	14	89315-007	2-10	24	102995-001	3-36	14	131494-013	3-38	2	207418-007
3-52	11	89540-011	2-1	12	102996-001	3-36	13	131494-015	3-37	2	207418-009
7-10	10	89540-011	2-1	3	103005-001	3-36	11	131494-017	3-38	2	207418-009
4-1	7	89597-001	2-1	2	103006-001	3-36	4	131494-019	3-48	3	207418-009
4-2	4	89597-001	2-1	1	103007-001	3-36	6	131494-023	5-1	19	208065-001
13-2	3	89597-001	2-2	11	103011-001	3-36	7	131494-025	8-11	8	208177-001
3-6	2	89671-001	2-1	14	103019-001	3-36	9	131494-027	8-11	7	208178-001
3-55		89671-001	2-1	13	103027-001	3-11	27	140119-001	4-8	3	208244-001
3-6	2	89671-003	3-8	9	103029-001	2-8	9	140176-001	10-1	6	208267-001
3-55	5	89671-003	3-8	14	103030-001	2-8	10	140176-003	3-49	2	208331-001
3-55	1	89671-005	3-8	11	103031-001	4-5	4	142410-001	8-10	2	208331-001
3-55	3	89671-007	3-8	7	103032-001	4-5	6	142423-001	3-49	3	208332-001
3-55	2	89671-009	3-8	13	103032-001	4-5	5	142954-001	8-10	3	208332-001
3-55	4	89671-011	3-10	16	103047-001	7-11	1	200769-001	10-2	6	208566-001
3-55	6	89671-013	3-12	1	103058-001	8-9	7	200771-001	10-2	13	208566-003
3-55	7	89671-015	3-13	1	103058-001	7-11	13	200777-001	10-2	9	208567-001
4-14	17	89807-005	4-3	13	103202-001	8-10	5	200778-001	10-2	10	208569-001
4-14	17	89807-007	4-14	21	103733-003	3-49	1	200780-001	10-2	11	208570-001
1-9	1	90393-001	4-14	15	103733-005	8-10	1	200780-001	10-2	12	208599-001
4-7	5	91306-001	7-10	6	104012-005	3-49	7	200808-001	3-49	5	209057-001
3-51	6	94488-033	2-1	13	104063-001	8-10	7	200808-001	3-49	6	209058-001
6-1	27	94569-001	2-2	12	104067-001	8-10	4	200809-001	3-49	10	209060-001
6-3	2	94569-001	2-2	12	104068-001	8-9	14	200831-001	10-3	15	209225-001
6-3	2	94569-001	2-2	6	104073-001	8-9	1	200833-001	4-3	12	210082-001
7-11	9	95631-011	2-2	6	104074-001	8-9	5	200834-001	6-2	14	210779-001

<u>FIG. NO.</u>	<u>PART NO.</u>	<u>FIG. NO.</u>	<u>PART NO.</u>	<u>FIG. NO.</u>	<u>PART NO.</u>	<u>FIG. NO.</u>	<u>PART NO.</u>				
5-2	6	210780-001	1-23	13	214045-025	1-13	3	216658-001	8-10	8	218496-007
5-2	6	210780-003	1-23	14	214045-027	1-15	4	216667-001	3-49	14	218496-013
5-2	6	210780-005	1-23	15	214045-029	1-20	5	216667-001	8-10	13	218496-013
5-2	6	210780-007	1-23	16	214045-031	1-20	9	216674-001	6-2	1	219110-007
5-2	6	210780-009	1-23	17	214045-033	1-21		216674-001	3-39	8	219120-011
5-2	6	210780-011	1-23	18	214045-035	3-14	6	216674-001	3-49	13	219125-011
5-2	6	210780-013	1-23	19	214045-037	1-21	5	216674-003	8-10	12	219125-011
5-2	4	210781-001	1-23	20	214045-039	1-22	5	216674-003	8-11	14	219125-011
5-2	3	210782-001	1-23	21	214045-041	1-21	8	216674-007	4-4	4	219186-001
5-2	3	210782-003	1-23	22	214045-043	1-22	8	216674-007	4-4	7	219186-003
5-2	3	210782-005	1-23	23	214045-045	1-21	9	216674-009	4-4	10	219380-001
5-2	3	210782-007	1-23	24	214045-047	1-22	9	216674-009	2-3	1	220021-001
5-2	3	210782-009	1-23	26	214045-049	1-21	13	216674-011	2-3	6	220075-001
5-2	3	210783-001	1-23	27	214045-051	1-22	13	216674-011	2-2	3	220162-009
5-2	4	210783-003	1-23	28	214045-053	1-20	16	216675-001	2-1	11	220162-017
5-2	4	210783-005	1-23	30	214045-055	1-22		216675-001	2-1	8	220162-023
5-2	4	210783-007	1-23	31	214045-057	3-14	17	216675-001	2-1	7	220162-025
5-2	4	210783-009	1-23	33	214045-059	1-21	7	216675-003	2-2	10	220162-037
5-2	5	210784-001	1-23	34	214045-061	1-22	7	216675-003	2-2	7	220162-039
5-2	4	210785-001	1-23	35	214045-063	1-21	14	216675-005	2-1	11	220162-041
10-2	6	211713-001	1-23	36	214045-065	1-22	14	216675-005	2-4	3	220165-001
13-2	16	212522-003	1-23	38	214045-067	1-21	15	216675-007	2-2	7	220171-001
3-50	16	212568-009	1-23	39	214045-069	1-22	15	216675-007	2-4	15	220203-001
3-50	12	212568-017	6-2	12	214088-001	1-21	16	216675-009	4-4	14	220238-001
3-50	11	212568-019	8-11	16	215170-017	1-22	16	216675-009	6-2	4	220639-001
11-1	6	213086-001	8-11	15	215170-019	1-21	17	216675-011	2-1	10	220681-013
11-2	6	213086-001	4-3	6	215200-001	1-22	17	216675-011	2-2	7	220681-017
11-3	6	213086-001	10-3	1	215399-001	1-21	18	216675-013	2-2	7	220681-019
4-5	7	213141-001	6-2	8	215426-001	1-22	18	216675-013	2-2	7	220681-021
11-1	6	213389-005	3-51	17	215657-009	3-23	2	216681-001	2-2	7	220681-023
11-2	6	213389-005	3-51	14	215657-019	3-23	9	216682-001	2-2	2	220681-025
11-3	6	213389-005	3-51	13	215657-023	3-24	8	216695-001	2-2	1	220681-027
11-1	5	213389-007	3-50	13	215799-011	3-50		216695-001	2-2	3	220681-031
11-2	5	213389-007	3-50	10	215799-013	3-50	5	216695-003	6-7	3	220741-009
11-3	5	213389-007	7-10	8	215799-013	3-50	8	216695-005	6-7	9	220741-019
11-1	4	213389-009	3-50	9	215799-015	3-50	1	216695-007	6-9	11	220741-019
11-2	4	213389-009	7-10	7	215799-015	3-50	3	216695-009	8-9	3	221256-013
11-3	4	213389-009	4-13	3	215861-001	3-50	4	216695-011	7-11	3	221256-013
11-1	1	213389-011	12-1		215938-001	3-50	6	216695-013	8-9	9	221256-015
11-2	1	213389-011	12-1	7	215938-003	3-50	15	216695-015	7-11	8	221256-015
11-3	1	213389-011	12-2	7	215938-003	3-50		216695-017	9-1	10	221503-001
12-1	1	213900-003	12-2		215939-001	8-8	5	216696-003	3-32	1	221503-001
12-1	4	213900-007	12-2		215940-001	1-12	1	216712-003	9-1	11	221504-001
12-1	9	213900-009	12-2	8	215940-003	1-13	11	216713-003	3-32	2	221504-001
12-2	9	213900-009	12-1	2	215941-001	1-14	6	216713-003	10-3	6	221593-001
12-1	3	213900-013	12-2	2	215941-001	1-14	8	216720-003	10-3	4	221594-001
12-1	5	213900-015	12-1	6	215942-001	3-24	4	216722-001	11-1	6	221643-001
12-1	1	213900-019	12-2	5	215942-001	1-14	12	216723-001	11-2	6	221643-001
12-1	8	213900-021	12-2	4	215943-001	3-24	15	216724-001	11-3	6	221643-001
12-1		213900-023	4-1	11	215991-001	4-3	1	216741-003	6-8	8	221652-015
12-2		213900-023	4-1	11	215992-001	1-12	11	216742-001	6-8	7	221652-035
12-1		213900-025	4-1	13	215992-001	1-13	5	216742-001	6-8	1	221652-039
12-2		213900-025	4-1	11	215993-001	1-15	10	216742-001	11-2	7	221658-001
12-2	1	213902-005	4-1	13	215993-001	1-15	6	216747-001	11-3	7	221658-001
12-3	1	213902-005	4-1	11	215994-001	1-20	4	216747-001	3-51	15	221729-007
12-2		213902-011	4-1	12	215995-001	1-15	8	216748-001	7-10	1	221731-003
1-9	3	214045-001	4-1	12	215996-001	1-20	1	216748-001	7-10	2	221731-007
1-23		214045-001	4-1	12	215997-001	1-15	5	216749-001	7-10	3	221731-009
1-23	1	214045-003	4-1	12	215998-001	1-20	3	216749-001	7-10	9	221731-011
1-23	2	214045-005	7-4	8	216447-001	12-2		216871-001	7-10	12	221731-013
1-23	3	214045-007	7-5	10	216447-001	12-3		216871-001	7-11	4	221766-017
1-23	4	214045-009	1-15	7	216547-001	3-29	8	217034-003	11-1	6	221806-001
1-23	5	214045-011	1-20	2	216547-001	4-1	1	217231-001	11-2	6	221806-001
1-23	6	214045-013	1-14	16	216591-003	1-8	10	217479-003	11-3	6	221806-001
1-23	7	214045-015	1-12	7	216596-001	5-1	13	217967-001	7-5	13	222426-001
1-23	8	214045-017	1-13	10	216596-001	8-9	11	218008-009	1-19	3	222431-001
1-23	9	214045-019	1-14	9	216596-001	3-49	4	218021-011	7-6	6	222433-001
1-23	10	214045-021	1-11	5	216620-001	4-10	10	218260-001	7-11	11	222440-003
1-23	12	214045-023	8-8	14	216635-001	3-49	9	218496-007	8-9	2	222440-007

<u>FIG. NO.</u>	<u>PART NO.</u>	<u>FIG. NO.</u>	<u>PART NO.</u>	<u>FIG. NO.</u>	<u>PART NO.</u>	<u>FIG. NO.</u>	<u>PART NO.</u>				
7-11	2	222440-007	8-9	13	224394-005	2-2	4	224558-009	8-10	11	227814-005
7-11	6	222440-009	8-9	6	224394-007	2-2	8	224559-019	8-10	9	227814-007
7-11		222440-011	8-9	8	224394-009	2-2	1	224560-011	8-10		227814-009
1-19	3	222447-001	8-9	10	224394-011	2-7	8	224848-001	8-8	24	227815-001
8-6	5	222815-001	8-9		224394-013	7-9	8	224886-007	8-11		227815-001
1-18	12	223967-001	3-30	6	224400-001	6-12	3	224892-001	8-11	12	227815-003
7-7	7	223998-001	3-30	6	224400-003	6-12	4	224893-001	8-11	13	227815-005
7-12		223998-001	3-30	6	224400-005	1-20	11	224915-425	8-11	1	227815-007
3-49	8	223998-003	3-30	4	224404-001	4-1	2	224922-001	8-11	2	227815-009
7-12	2	223998-003	6-7	7	224408-081	7-8	18	224922-001	8-11	3	227815-011
7-12	5	223998-005	6-7	8	224408-083	7-8	17	224934-001	8-11	4	227815-013
7-12	6	223998-007	6-9	17	224408-085	6-14	3	224942-011	8-11	11	227815-015
7-12	10	223998-009	6-9	18	224408-087	6-14	9	224942-013	8-11		227815-019
7-12	11	223998-011	6-9	21	224408-089	5-2	4	224979-001	8-11	9	227815-021
7-12	12	223998-013	6-9	22	224408-091	2-10	2	224985-001	8-2	19	227839-001
7-12	13	223998-015	6-9	23	224408-093	5-2	4	224990-001	2-10	1	227841-001
7-12	14	223998-017	6-9	24	224408-095	5-2	4	224991-001	8-2	7	227845-001
7-12		223998-019	6-9	5	224408-097	1-20	24	224997-001	8-8	7	227847-001
1-12	14	224250-001	6-9	25	224408-097	4-10	8	225353-001	3-24	7	227852-001
1-13	16	224250-001	6-9	26	224408-099	3-6	11	225358-001	3-24	6	227854-001
1-14	19	224250-001	6-9	27	224408-101	2-7	5	225532-005	3-24	16	227855-001
1-12	8	224265-001	6-9	28	224408-103	6-1	8	225838-001	2-10	16	227859-001
1-13	9	224265-001	6-11	2	224408-131	6-1	11	225845-001	2-10	20	227861-001
1-14	10	224265-001	6-11	5	224408-133	6-1	10	225847-001	8-8	21	227863-001
3-25	2	224268-001	6-12	1	224408-165	4-10	6	226058-001	1-10	2	227871-001
1-15	15	224277-001	3-9	5	224411-001	4-10	7	226059-001	3-8	1	227873-001
3-23	5	224278-001	3-33		224411-001	11-2	9	226195-001	8-7	1	227880-001
3-49		224278-001	3-33	1	224411-003	11-3	9	226195-001	8-3	3	227885-001
3-49	11	224278-003	3-33	1	224411-005	11-1	6	226196-001	6-5		227891-001
3-49	12	224278-005	3-11	2	224412-001	11-2	6	226196-001	8-2	8	227899-001
3-26	11	224291-001	3-35		224412-001	11-3	6	226196-001	8-2	4	227900-001
3-16	3	224292-001	3-10	2	224413-001	11-2	6	226197-001	8-2	3	227901-001
3-37		224292-001	3-34		224413-001	11-3	6	226197-001	8-7	6	227902-001
3-37	1	224292-003	3-34	1	224413-003	11-2	6	226198-001	8-3	7	227906-001
3-38	1	224292-003	3-35	1	224413-003	11-3	6	226198-001	1-14	1	227918-001
3-37	4	224292-005	3-34	1	224413-005	11-2	6	226199-001	1-11	8	227929-001
3-37	6	224292-007	3-35	1	224413-005	11-3	6	226199-001	1-18	3	227962-001
3-37	7	224292-009	3-11	24	224430-001	11-2	6	226200-001	2-1	4	227965-001
3-38	4	224292-009	3-11	21	224431-001	11-3	6	226200-001	1-18	2	227968-001
4-14	1	224294-003	3-24	11	224445-001	4-1	13	226209-001	1-18	9	227978-001
4-14	2	224294-005	3-51		224445-001	4-3	15	226220-001	1-18	7	227979-001
4-14	3	224294-007	3-51	5	224445-003	4-3	8	226221-001	3-25	20	227985-001
4-14	13	224294-009	3-51	9	224445-005	6-1	20	227235-001	3-25	3	227986-001
4-14	24	224294-015	3-51	1	224445-007	6-5	6	227236-001	8-2	17	227995-001
4-14	25	224294-017	7-10	14	224445-007	1-20	28	227503-001	3-7	17	227997-001
4-14	26	224294-019	3-51	2	224445-009	1-20	30	227504-001	3-21	3	228114-001
4-14	28	224294-021	3-51	4	224445-011	1-20	12	227505-001	3-47		228114-001
4-14	29	224294-023	3-51	7	224445-013	1-20	8	227506-001	3-47	1	228114-003
4-14	30	224294-025	3-51	12	224445-015	1-20	33	227512-001	3-47	2	228114-005
4-14	31	224294-027	3-51		224445-017	1-20	15	227513-001	3-47	2	228114-007
4-14	32	224294-029	3-48	3	224476-005	1-20	13	227514-001	3-47	3	228114-009
4-14	5	224294-031	3-48	2	224476-007	1-20	29	227515-001	3-47	4	228114-011
2-3	4	224297-001	3-48	2	224476-009	1-20	17	227583-001	3-46	4	228124-017
1-12	3	224299-001	3-25	4	224478-001	1-20	10	227584-001	7-9	1	228128-003
1-13	12	224299-001	3-52		224478-001	1-20		227587-001	7-9	2	228128-005
1-14	13	224299-001	3-52	2	224478-003	1-20	22	227589-001	7-9	7	228128-007
3-17	3	224307-001	3-52	5	224478-005	1-20	14	227591-001	3-46	2	228128-007
3-38		224307-001	3-52	3	224478-007	1-20	23	227592-001	7-9	2	228128-009
8-8	14	224326-001	3-52	6	224478-009	1-20	25	227594-001	7-9	5	228128-009
1-16	4	224331-001	3-52	7	224478-011	8-8	11	227752-001	7-9	4	228128-013
8-8	5	224333-003	3-52	8	224478-013	2-10	4	227757-003	7-9	4	228128-015
8-8	2	224335-001	3-52	9	224478-015	2-12	1	227757-003	7-9	5	228128-017
1-16	8	224340-001	3-52	10	224478-017	2-10	5	227757-005	3-22	14	228132-001
1-10	1	224356-001	3-52	13	224478-019	2-12	2	227757-005	3-48		228132-001
8-8	20	224361-001	3-52	15	224478-021	2-10	17	227759-001	3-48	1	228132-003
1-10	4	224369-001	3-52	16	224478-023	1-16	7	227791-001	4-10	18	228400-001
8-6	2	224394-001	3-52		224478-025	8-7	2	227814-001	1-5	2	228754-001
8-9		224394-001	3-52	1	224478-027	8-10		227814-001	5-1	5	229285-001
8-9	12	224394-003	8-3	5	224479-001	8-10	10	227814-003	7-6	1	230761-001

(PAGE 8) D50x100a/NAVTEC NAVIGATOR INDEX

<u>FIG. NO.</u>	<u>PART NO.</u>	<u>FIG. NO.</u>	<u>PART NO.</u>	<u>FIG. NO.</u>	<u>PART NO.</u>	<u>FIG. NO.</u>	<u>PART NO.</u>				
7-4	10	230864-001	8-6	7	231758-001	6-8	6	234267-009	1-14	18	234452-001
7-5	12	230864-001	8-7	16	231758-001	1-17	3	234277-001	7-8	2	234461-001
7-4	10	230946-001	8-8	35	231758-001	1-17	4	234278-001	7-8	8	234462-001
7-5	12	230946-001	3-37	6	231770-001	1-17	5	234279-001	6-1	1	234473-001
2-10	26	230965-001	3-37	7	231771-001	1-17	6	234280-001	4-12	2	234475-001
9-1	1	230970-001	3-38	4	231771-001	7-4	1	234292-001	6-1	7	234480-001
9-2		230970-001	10-1	2	231897-001	7-10		234292-001	7-8	1	234486-001
9-2	1	230970-003	10-1	1	231898-001	7-10	5	234292-003	3-27	3	234498-001
9-2	2	230970-005	10-1	5	231899-001	7-10		234292-005	3-54		234498-001
9-2	3	230970-007	10-1	4	231900-001	7-2	6	234294-001	3-54	1	234498-003
9-2	4	230970-009	10-3		231900-001	7-5	9	234295-001	3-54	2	234498-005
9-2	5	230970-011	10-3	9	231901-001	7-2	3	234299-001	3-54	3	234498-007
9-2	6	230970-013	10-3	1	231902-001	7-7	9	234305-001	3-54	4	234498-009
9-2	7	230970-015	10-3	11	231903-001	6-9	2	234309-005	3-54	5	234498-011
9-2	8	230970-017	11-1	2	231990-001	6-9	3	234309-007	3-54	6	234498-013
9-2	9	230970-019	11-2	2	231990-001	6-9	4	234309-009	3-54	7	234498-015
9-2	10	230970-021	11-3	2	231990-001	6-9	6	234309-011	3-54	8	234498-017
9-1	2	230972-001	11-1	3	231991-001	6-9	7	234309-013	3-54	9	234498-019
9-1	2	230974-001	11-2	3	231992-001	6-9	10	234309-017	3-54	10	234498-021
9-1	6	230977-001	11-2	8	231993-001	6-9	12	234309-019	3-54	11	234498-023
9-3		230977-001	11-2	8	231994-001	6-9	13	234309-021	3-54	12	234498-025
9-3	1	230977-003	11-3	3	231995-001	6-9	14	234309-023	3-54	13	234498-027
9-3	2	230977-005	11-3	3	231996-001	6-9	15	234309-025	3-54	14	234498-029
9-3	3	230977-007	11-3	8	231997-001	1-10	8	234316-001	3-54		234498-031
9-3	4	230977-009	11-3	8	231998-001	3-11	29	234317-001	1-15	12	234499-001
9-3	7	230977-011	11-3	8	231999-001	1-10	6	234318-001	13-2	7	234756-001
9-3	8	230977-013	3-12	12	232127-025	3-15	6	234319-001	3-9	22	234780-001
9-3	9	230977-015	3-13	13	232127-025	7-3	1	234324-001	3-10	25	234780-001
9-3	10	230977-017	5-1	6	234164-001	7-9		234324-001	13-2	6	234799-001
9-3	11	230977-019	5-1	14	234167-001	4-2	20	234343-001	13-2	8	234811-001
9-3	12	230977-021	2-1	6	234217-003	2-10	6	234349-001	13-1	3	234812-001
9-3		230977-023	2-1	6	234217-005	2-12		234349-001	1-20	20	234814-001
6-1	9	231049-001	2-2	11	234217-007	2-10	3	234349-003	1-20	34	234815-001
1-6	7	231104-001	2-2	2	234217-009	2-12	3	234349-003	1-14	23	234816-001
1-24		231104-001	2-2	5	234217-011	6-8	4	234352-001	13-3	4	234865-001
12-2	6	231109-001	2-2	9	234217-013	6-8		234354-001	13-3	5	234866-001
12-3		231109-001	2-2	10	234217-015	3-26	13	234359-001	13-3	10	234867-001
12-3	4	231109-001	2-2	1	234218-003	3-53		234359-001	13-2	18	234868-001
12-3	5	231109-003	2-1	6	234218-015	3-53	1	234359-003	13-2	4	234869-001
12-3	2	231109-005	2-1	10	234218-019	3-53	2	234359-005	13-2	5	234872-001
12-3	3	231109-007	2-1	16	234218-027	3-53	7	234359-007	1-20	21	234874-001
12-2	11	231110-001	2-1	16	234218-029	3-53	8	234359-009	4-3	14	234876-001
12-2		231111-001	2-4	5	234238-001	3-53	9	234359-011	4-14		234876-001
12-2	10	231111-003	2-4	8	234240-001	3-53	10	234359-013	4-14	16	234876-003
12-2		231197-001	2-6	4	234246-001	3-53	11	234359-015	4-14	18	234876-005
12-2	3	231197-003	8-2	1	234252-001	3-53	6	234359-017	4-14	20	234876-007
10-1	8	231200-001	3-31	1	234256-001	3-53		234359-019	4-14	23	234876-009
10-1	7	231202-001	3-56		234256-001	3-26	15	234361-001	9-1	4	234966-001
11-1		231212-001	3-56	1	234256-003	3-18	18	234364-001	9-1	3	234967-001
11-2		231218-001	3-56	2	234256-005	4-12	3	234368-001	13-1	4	234969-001
11-3		231219-001	3-56	3	234256-007	4-12	1	234369-001	6-3	1	234978-001
11-3		231220-001	3-56	4	234256-009	1-11	1	234376-001	1-15	17	234978-001
11-2		231221-001	3-56	5	234256-011	4-12	5	234377-001	1-20	35	234978-001
11-3		231222-001	3-56	6	234256-013	4-11	1	234393-001	6-3	1	234978-003
11-3		231223-001	3-56	7	234256-015	4-11	3	234394-001	6-3	1	234978-005
11-4	1	231224-001	3-56	8	234256-017	4-11	5	234395-001	14-1	16	234994-001
11-4	2	231228-001	3-56	9	234256-019	8-3	4	234396-003	14-1	17	234995-001
4-2	7	231248-001	3-56	10	234256-021	8-3	4	234396-005	14-1	1	234996-001
7-4	22	231757-001	3-56	11	234256-023	7-4	13	234402-001	14-1	12	234997-001
7-5	23	231757-001	3-56	12	234256-025	7-5	16	234407-001	14-1	8	234998-001
7-6	16	231757-001	3-56	13	234256-027	4-11	7	234408-001	14-1	6	234999-001
7-7	14	231757-001	3-56	14	234256-029	7-2	4	234412-001	4-6	6	235256-001
8-6	8	231757-001	3-56	15	234256-031	1-18	15	234418-001	4-4	13	235683-001
8-7	17	231757-001	3-56	16	234256-033	3-26	16	234421-003	3-8	22	235805-001
8-8	36	231757-001	3-56	17	234256-035	6-3	8	234422-001	9-1	2	235870-001
7-4	21	231758-001	3-56	18	234256-037	7-8	4	234426-003	7-8	13	235925-001
7-5	22	231758-001	3-36	10	234266-003	3-11	33	234428-001	7-8	13	235926-001
7-6	15	231758-001	6-8	2	234267-005	1-14	5	234434-003	6-1	11	236045-001
7-7	13	231758-001	6-8	5	234267-007	1-14	4	234436-001	6-14		236045-001

FIG. NO.	PART NO.	FIG. NO.	PART NO.	FIG. NO.	PART NO.	FIG. NO.	PART NO.				
6-14	1	236045-003	6-4	5	239358-001	6-1	14	239465-001	3-21	4	600118-001
6-14	2	236045-005	6-4	2	239360-001	6-13	7	239467-001	3-26	1	600118-001
6-14	4	236045-007	1-19	5	239364-001	6-13	3	239468-001	13-2	17	601422-001
6-14	5	236045-009	6-4	4	239374-001	1-16	3	239469-001	2-8	1	601644-001
6-14	6	236045-011	6-1	16	239383-001	6-1	25	239471-001	2-11		601644-001
6-14	7	236045-013	6-11	4	239383-003	6-13		239471-001	2-11	1	601644-003
6-14	8	236045-015	6-7	1	239383-005	6-2	2	239477-001	2-11	2	601644-005
4-1	15	236473-001	6-7	2	239383-007	6-2	10	239478-001	2-11	3	601644-007
6-2	9	238064-001	6-7	4	239383-009	1-12	6	239482-001	2-11	4	601644-009
3-39	22	238196-001	6-7	5	239383-011	1-13	15	239483-001	2-11	5	601644-011
3-43		238196-001	6-7	6	239383-013	1-15	1	239491-001	2-11	6	601644-013
3-43	1	238196-003	6-7	10	239383-015	1-20	19	239492-001	2-11	7	601644-015
3-43	5	238196-005	6-9	29	239383-017	6-3	5	239495-001	2-11	8	601644-017
3-43	6	238196-007	6-10	3	239383-019	6-1	26	239496-001	8-7	8	601696-010
3-43	7	238196-009	6-10	6	239383-021	6-3	9	239496-001	8-2	21	601697-030
3-43	8	238196-011	6-10	9	239383-023	6-3	3	239497-001	3-25	18	601697-030
3-43	11	238196-013	6-10	14	239383-025	5-1	7	240056-001	8-2	15	601698-024
2-6	3	238502-001	6-10	15	239383-027	14-1	4	240509-001	8-2	5	601699-012
2-7	1	238508-001	6-10	16	239383-029	9-1	13	240546-001	5-1	17	900035-005
2-7	12	238509-001	6-10	17	239383-031	14-1	14	240551-001	7-4	23	900035-005
2-7	2	238510-001	6-10	18	239383-033	14-1	3	240552-001	7-5	24	900035-005
3-8	21	238514-001	6-10	19	239383-035	14-1	13	240553-001	7-6	17	900035-005
4-9	1	238521-001	6-10	20	239383-037	14-1	15	240554-001	7-7	15	900035-005
2-9	10	238523-001	6-11	1	239383-039	14-1	2	240555-001	3-23	8	900035-005
4-7	22	238527-001	6-11	3	239383-041	14-1	18	240558-001	3-6	7	900963-001
2-9	6	238530-001	6-11	6	239383-043	14-1	10	240560-001	3-39	2	901057-003
2-9	5	238533-001	6-11	7	239383-045	14-1	5	240580-001	3-41		901057-003
3-6	1	238534-001	6-11	8	239383-047	14-1	9	240589-001	6-4	11	901062-001
2-7	14	238570-001	6-11	9	239383-049	14-1	19	240591-001	1-1		901228-077
4-9	4	238582-001	6-11	9	239383-051	14-1	17	240592-001	1-2		901228-078
2-4	14	238592-001	6-12	2	239383-053	1-5	1	241653-001	1-23	11	901555-055
4-10	2	238592-001	6-12	6	239383-055	3-27	5	244500-001	3-45	6	901562-011
2-7	17	238653-001	6-12	7	239383-057	6-1	22	244516-001	3-48	5	901562-011
2-7	16	238654-001	6-9	1	239383-059	6-3	4	244517-001	3-45	4	901562-015
2-7	3	238657-001	6-10	1	239383-061	3-18	1	244519-001	1-6	17	901766-005
3-28	1	238658-001	6-10	2	239383-063	3-39		244519-001	1-6	18	901766-011
2-7	13	238665-001	6-10	4	239383-065	3-39	18	244519-003	1-7	6	901766-011
2-5	7	238666-001	6-10	5	239383-067	3-39	21	244519-005	1-6	16	901766-013
2-5	6	238672-001	6-10	7	239383-069	4-2	18	244520-001	1-7	8	901766-013
2-5	10	238673-001	6-10	8	239383-071	3-19	10	244520-001	1-6	19	901766-015
2-5	11	238674-001	6-10	10	239383-073	3-21	8	244520-001	1-7	3	901766-015
2-6	8	238677-001	6-10	11	239383-075	4-2	8	244521-001	1-6	20	901766-017
2-4	16	238678-001	6-10	12	239383-077	6-1	30	244521-001	1-7	7	901766-017
2-5	5	238679-001	6-9	8	239383-079	1-20	37	244531-001	1-6		901767-001
2-5	3	238682-001	6-10	13	239383-081	3-27	6	244531-001	1-7		901767-001
2-5	2	238686-001	6-12	5	239383-083	13-2	15	244535-001	1-6	21	901767-003
2-9	3	238744-001	6-12	8	239383-085	13-3	9	244535-001	1-7	9	901767-003
4-10	20	238748-001	6-9	16	239383-087	6-1	17	244595-001	1-7	1	901767-005
2-1	17	238749-001	6-9	30	239383-089	4-8	1	244750-001	1-7	2	901767-007
11-3	8	238750-001	6-11	10	239383-091	4-8	4	244751-001	1-7	4	901767-009
11-4	3	238751-001	6-11	11	239383-093	4-7	1	244755-001	1-7	5	901767-011
11-4	4	238752-001	6-11	12	239383-095	4-8	7	244756-001	1-6	13	901995-001
12-2		238762-001	6-11	13	239383-097	4-8	17	244757-005	1-9	2	901997-001
12-3		238762-001	6-11	14	239383-099	2-1	9	244758-001	3-19	3	902012-001
12-2		238763-001	6-11	15	239383-101	4-7	13	244759-001	3-45		902012-001
12-3		238763-001	8-8	33	239421-001	2-8	8	244763-001	3-45	1	902012-003
6-13	5	239252-001	8-6	4	239442-001	2-8	7	244764-001	3-45	3	902012-005
7-6	8	239275-001	3-20	3	239443-001	4-7	7	244767-001	1-6	4	902013-001
7-11		239275-001	3-26	6	239443-001	2-9	2	244768-001	1-5	4	902157-001
7-11	12	239275-003	3-46		239443-001	2-7	7	244769-001	1-5	5	902162-001
6-1	6	239281-001	3-46	1	239443-003	4-13	4	244772-001	1-5	5	902162-002
1-16	6	239284-001	3-29	2	239445-001	3-9	8	600118-001	1-8	13	902770-003
1-12	12	239289-001	6-2	13	239447-001	7-3	6	600118-001	1-8	2	902770-005
7-7	1	239313-001	6-1	13	239448-001	8-6	9	600118-001	1-18	4	903135-003
7-3	15	239314-001	6-1	12	239449-001	8-7	5	600118-001	1-18	5	903135-005
7-4	14	239314-001	6-1	15	239453-001	8-8	17	600118-001	1-8	4	903256-001
6-4	3	239339-001	6-1	5	239454-001	3-11	6	600118-001	1-8	3	903257-001
6-4	1	239348-001	1-16	9	239458-001	3-16	7	600118-001	3-12	13	903382-001
6-1	2	239351-001	7-2	7	239462-001	3-20	2	600118-001	3-13	16	903382-001

(PAGE 10) D50x100a/NAVTEC NAVIGATOR INDEX

<u>FIG. NO.</u>		<u>PART NO.</u>
4-3	24	903389-001
6-2	5	903862-001
4-10	4	903884-001
6-2	3	904062-007
4-1	14	904346-001
5-1	18	904355-001
4-10	19	904365-001
4-1	13	904423-001
4-2	16	904423-001
3-46	3	904525-011
5-2	1	904541-001
5-1	1	904546-001
4-2	16	904563-001
6-5	1	904576-001
6-5	2	904577-001
6-5	3	904578-001
5-1	3	904731-001
6-6	1	904882-001
4-1	14	904995-001
4-1	14	905001-001
6-6	2	905216-001